



Chipsmall Limited consists of a professional team with an average of over 10 year of expertise in the distribution of electronic components. Based in Hongkong, we have already established firm and mutual-benefit business relationships with customers from,Europe,America and south Asia,supplying obsolete and hard-to-find components to meet their specific needs.

With the principle of “Quality Parts,Customers Priority,Honest Operation,and Considerate Service”,our business mainly focus on the distribution of electronic components. Line cards we deal with include Microchip,ALPS,ROHM,Xilinx,Pulse,ON,Everlight and Freescale. Main products comprise IC,Modules,Potentiometer,IC Socket,Relay,Connector.Our parts cover such applications as commercial,industrial, and automotives areas.

We are looking forward to setting up business relationship with you and hope to provide you with the best service and solution. Let us make a better world for our industry!



Contact us

Tel: +86-755-8981 8866 Fax: +86-755-8427 6832

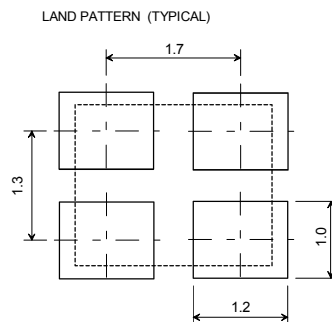
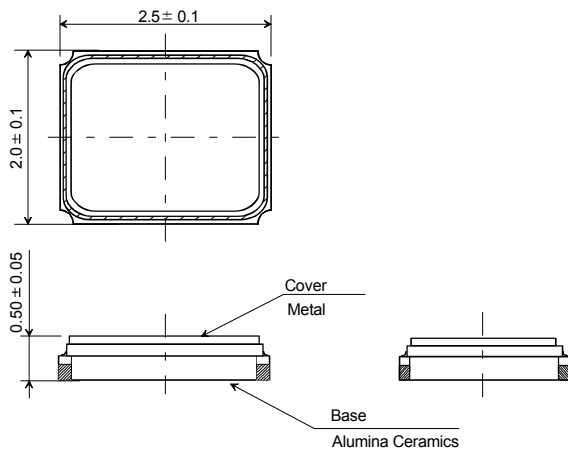
Email & Skype: info@chipsmall.com Web: www.chipsmall.com

Address: A1208, Overseas Decoration Building, #122 Zhenhua RD., Futian, Shenzhen, China

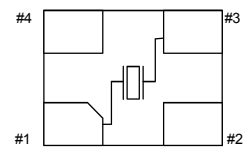


1	NDK Part Number	NX2520SA-19.200000MHz-NBG1
2	Chipset Maker	Please contact us
3	Application	Multimedia processor on mobile phone
4	Chipset Name	Please contact us
5	NDK Specification Number	EXS00A-CS05400
6	Type	NX2520SA
7	Electrical Characteristics	
7.1	Nominal Frequency (f_{nom})	19.200 MHz
7.2	Overtone order	Fundamental
7.3	Adjustment tolerance	$\pm 20 \times 10^{-6}$ max.
7.4	Tolerance over the temperature range	$\pm 30 \times 10^{-6}$ max. (at -30 to +85 °C)
7.5	Equivalent Series Resistance (R_r)	60 Ω max.
7.6	Maximum Drive Level	200 μ W max.
7.7	Aging (at +25 °C)	$\pm 5 \times 10^{-6}$ max./1year
8	Measurement Circuit	
8.1	Frequency Measurement	
8.1.1	Measuring Instrument	π -network (IEC)
8.1.2	Load Capacitance (C_L)	13 pF
8.1.3	Level of Drive	10 μ W
8.2	Equivalent Resistance Measurement	
8.2.1	Measuring Instrument	π -network (IEC)
8.2.2	Load Capacitance (C_L)	Series
8.2.3	Level of Drive	10 μ W
9	Operating Temperature Range	-30 ~ +85 °C
10	Storage Temperature Range	-40 ~ +85 °C
11	Dimension	

(Unit: mm)



[Top view]
Terminal land connections



TERMINAL
#1,#3: X'tal
#2,#4: GND(CONNECTION COVER)

