



Chipsmall Limited consists of a professional team with an average of over 10 year of expertise in the distribution of electronic components. Based in Hongkong, we have already established firm and mutual-benefit business relationships with customers from,Europe,America and south Asia,supplying obsolete and hard-to-find components to meet their specific needs.

With the principle of “Quality Parts,Customers Priority,Honest Operation,and Considerate Service”,our business mainly focus on the distribution of electronic components. Line cards we deal with include Microchip,ALPS,ROHM,Xilinx,Pulse,ON,Everlight and Freescale. Main products comprise IC,Modules,Potentiometer,IC Socket,Relay,Connector.Our parts cover such applications as commercial,industrial, and automotives areas.

We are looking forward to setting up business relationship with you and hope to provide you with the best service and solution. Let us make a better world for our industry!



Contact us

Tel: +86-755-8981 8866 Fax: +86-755-8427 6832

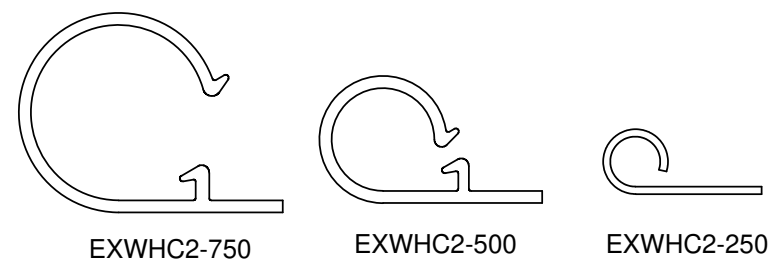
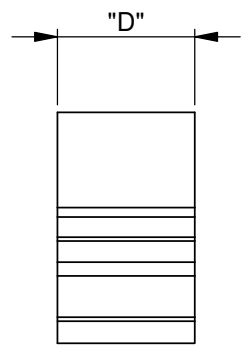
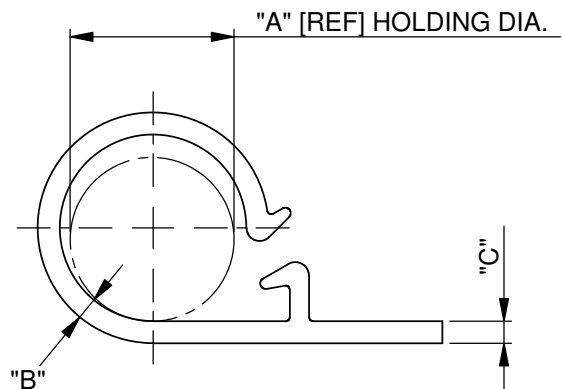
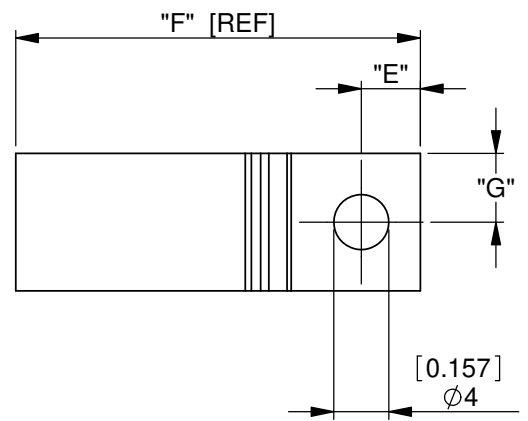
Email & Skype: info@chipsmall.com Web: www.chipsmall.com

Address: A1208, Overseas Decoration Building, #122 Zhenhua RD., Futian, Shenzhen, China



PART No.	"A" HOLDING ϕ	"B"	"C"	"D"	"E"	"F" REF	"G"	MATERIAL
EXWHC 2-750-01	18.0[.708]	1.6[.063]	1.9[.075]	12.7[.500]	4.7[.185]	35.0[1.377]	6.35[.250]	NYLON 6/6 UL94 V-2 (RMS-01)
EXWHC 2-750-19								NYLON 6/6 UL94 V-0 (RMS-19)
EXWHC 2-500-01	12.7[.500]			1.9[.075]	10.0[.394]	30.0[1.181]	5.0[.196]	NYLON 6/6 UL94 V-2 (RMS-01)
EXWHC 2-500-19					NYLON 6/6 UL94 V-0 (RMS-19)			
EXWHC 2-250-01	6.35[.250]	.97[.038]	1.0[.039]	10.0[.394]	6.0[.236]	21.0[0.827]	5.0[.196]	NYLON 6/6 UL94 V-2 (RMS-01)
EXWHC 2-250-19								

REV.	MODIFICATION.	DATE	DRN
01	NEW DRAWING	21/02/05	NJB
02	ECN 2005-032	02/03/05	NJB
03	ECN 2005-044	06/04/05	NJB
04	ECN 2007-209	23/11/07	NJB
05	ECN 2008-009	14/01/08	SF
06	CO2010138	11/03/08	SF
07	CO2010171	03/04/08	SF
08	CO2010206	01/05/08	SF
09	CO2011174	27/07/11	SF



INFORMATION CONTAINED IN THIS DOCUMENT IS CONFIDENTIAL TO RICHCO INTERNATIONAL Co., Ltd. AND MAY NOT BE DISCLOSED OR REPRODUCED IN WHOLE OR PART WITHOUT THEIR WRITTEN CONSENT.

RICHCO, INC.
WWW.RICHCO-INC.COM

METRIC PRIMARY UNITS: mm
IMPERIAL SECONDARY UNITS: [inches]
GENERAL TOLERANCES ± 0.25 [0.010]
UNLESS OTHERWISE STATED
1 DECIMAL PLACE \pm
2 DECIMAL PLACES \pm
ANGULAR $\pm 1^\circ$

THIRD ANGLE

MATERIAL: SEE TABLE
COLOR: NATURAL

DESCRIPTION: WIRE HARNESS CLIP
PART No.: SEE TABLE

DRG No.: 05-024
NPR No.: 2007-436
SHEET SIZE: A4

DRN: NJB
DATE: 21/02/05
CHKD: NBR
DATE: 22/02/05
SCALE: NTS
SHEET No.: 1 OF 1

NOTES
1) PARTS ARE AVAILABLE IN BLACK
ADD "BK" TO END OF PART NUMBER:
EXWHC2-500-01BK.

ALTERNATE DIMENSIONS FOR REFERENCE ONLY