



Chipsmall Limited consists of a professional team with an average of over 10 year of expertise in the distribution of electronic components. Based in Hongkong, we have already established firm and mutual-benefit business relationships with customers from,Europe,America and south Asia,supplying obsolete and hard-to-find components to meet their specific needs.

With the principle of “Quality Parts,Customers Priority,Honest Operation,and Considerate Service”,our business mainly focus on the distribution of electronic components. Line cards we deal with include Microchip,ALPS,ROHM,Xilinx,Pulse,ON,Everlight and Freescale. Main products comprise IC,Modules,Potentiometer,IC Socket,Relay,Connector.Our parts cover such applications as commercial,industrial, and automotives areas.

We are looking forward to setting up business relationship with you and hope to provide you with the best service and solution. Let us make a better world for our industry!



Contact us

Tel: +86-755-8981 8866 Fax: +86-755-8427 6832

Email & Skype: info@chipsmall.com Web: www.chipsmall.com

Address: A1208, Overseas Decoration Building, #122 Zhenhua RD., Futian, Shenzhen, China

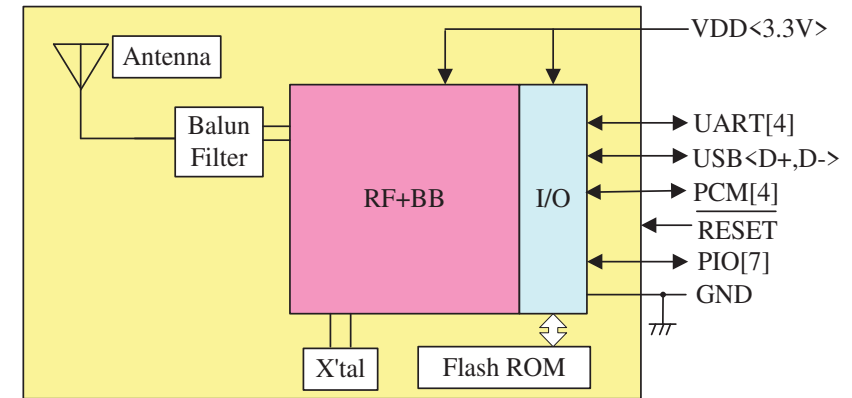


BT: Antenna type Module - SPP

Features EYSFDCAXX-XT

- The module is a Max.4dBm(Class2) module.
- Bluetooth*® standard Ver. 2.1+EDR conformity.
- Internal baseband clock oscillator.
- Support functions.
Hold, Sniff, Park, AFH, Faster Inquiry & Connection, EDR, SSP, SSR, EIR, EPR
- Interface: UART, PCM
- Protocol stack: Under HCI firmware.
- Outline: 31x 15 x 3 mm (Max.)
- Complete Lead Free
- RoHS (2002/95/EC) Conformity
- Embedded – SPP
- Modular Type Approval

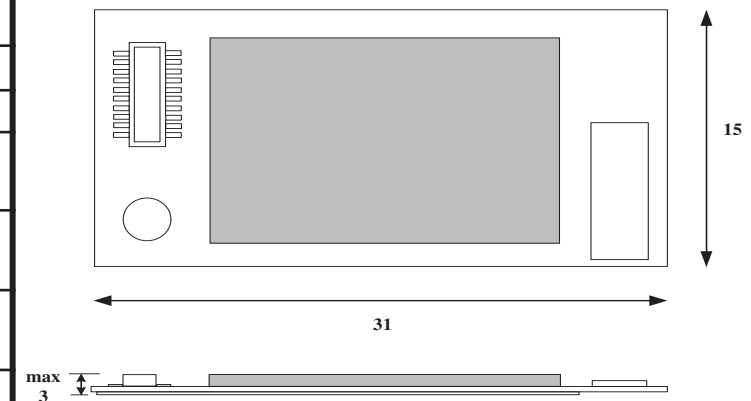
Block Diagram



General Electrical Specification

Parameter	Description	Min.	Typ.	Max.	Units
Carrier Frequency		2.402		2.480	GHz
Operating Voltage (VDD)	UART Interface	3	3.3	3.6	V
RF Output Power	Measured in 50 ohm	-6	0	4	dBm
RX Sensitivity		-	-83	-70	dBm
Input Low Voltage	/RESET, PIOX, PCM_IN, PCM_CLK, PCM_SYNC, UART_RX, UART_CTS	-0.3		0.8	V
Input High Voltage	/RESET, PIOX, PCM_IN, PCM_CLK, PCM_SYNC, UART_RX, UART_CTS	0.7 x VDD		VDD +0.3	V
Output Low Voltage	PIOX, PCM_OUT, PCM_CLK, PCM_SYNC, UART_TX, UART_RTS	-		0.4	V
Output High Voltage	PIOX, PCM_OUT, PCM_CLK, PCM_SYNC, UART_TX, UART_RTS	VDD -0.4		-	V
Average Current Consumption	Receive DM1		40	-	mA

Outline



Unit: mm

Note: The above PRELIMINARY data are not guaranteed and are subject to change without notice.

The *Bluetooth*® word mark and logos are owned by the *Bluetooth* SIG, Inc. and any use of such marks by TAIYO YUDEN CO.,LTD. is under license.