



Chipsmall Limited consists of a professional team with an average of over 10 year of expertise in the distribution of electronic components. Based in Hongkong, we have already established firm and mutual-benefit business relationships with customers from,Europe,America and south Asia,supplying obsolete and hard-to-find components to meet their specific needs.

With the principle of "Quality Parts,Customers Priority,Honest Operation,and Considerate Service",our business mainly focus on the distribution of electronic components. Line cards we deal with include Microchip,ALPS,ROHM,Xilinx,Pulse,ON,Everlight and Freescale. Main products comprise IC,Modules,Potentiometer,IC Socket,Relay,Connector.Our parts cover such applications as commercial,industrial, and automotives areas.

We are looking forward to setting up business relationship with you and hope to provide you with the best service and solution. Let us make a better world for our industry!



## Contact us

Tel: +86-755-8981 8866 Fax: +86-755-8427 6832

Email & Skype: info@chipsmall.com Web: www.chipsmall.com

Address: A1208, Overseas Decoration Building, #122 Zhenhua RD., Futian, Shenzhen, China



***Bluetooth*<sup>®</sup> low energy Module**

**Bluetooth<sup>®</sup> 5.0 low energy**

**EYSHCNZWZ**

Data Report

The ***Bluetooth***<sup>®</sup> word mark and logos are owned by the ***Bluetooth*** SIG, Inc. and any use of such marks by TAIYO YUDEN CO., LTD. is under license.

**Document constituent list**

| <b>Control name</b>        | <b>Control No.</b> | <b>Document Page</b> |
|----------------------------|--------------------|----------------------|
| General Items              | HD-AG-A160260      | 1/5 - 5/5            |
| Absolute maximum ratings   | HD-AM-A160260      | 1/1                  |
| Electrical characteristics | HD-AE-A160260      | 1/3 - 3/3            |
| Circuit schematic          | HD-MC-A160260      | 1/3 - 3/3            |
| Outline / Appearance       | HD-AD-A160260      | 1/3 - 3/3            |
| Pin Layout                 | HD-BA-A160260      | 1/2 - 2/2            |
| Handling Precaution        | HQ-BA-537          | 1/2 - 2/2            |
| Packaging Specification    | HD-BB-A160260      | 1/3 - 3/3            |
| Antenna application note   |                    | 1/3 - 3/3            |
| Design guide               |                    | 1/1                  |
| Precautions                | HQ-BK-002          | 1/1                  |

## Revision History

30-Jun.-2017 &gt; Ver.1.00 Release

**EYSHCNZWZ**

TAIYO YUDEN CO., LTD.

|                              |       |                               |
|------------------------------|-------|-------------------------------|
| Control No.<br>HD-AG-A160260 | (1/5) | Control name<br>General Items |
|------------------------------|-------|-------------------------------|

**1. Scope**

This specification ("Specification") applies to the hybrid IC "EYSHCNZWZ", a **Bluetooth**<sup>®</sup> 5.0 low energy module ("Product") manufactured by TAIYO YUDEN Co., Ltd. ("TAIYO YUDEN")

**2. Description**

a) User Code : EYSHCNZWZ

Type : EYSHCN

\*User Code may be changed for mass production or other cases.

Note: Please use the User Code (EYSHCNZWZ) to order this product

b) Chip : Nordic nRF52832 (512kB Flash, 64kB RAM)

c) Function : Radio frequency transceiver Module. Bluetooth<sup>®</sup>5.0 conformity.

d) Application : IoT devices, Health & Fitness Equipment, Sensor, Toys

e) Structure : Hybrid IC loaded with silicon monolithic semiconductor

Containment of hazardous substance in this Product

Can meet with RoHS compliance (Pb, Cd, Hg, Cr+6, PBB, PBDE)

f) Outline : 49-pin Land Grid Array

g) Marking : Part Number, Lot Number, Japan ID, FCC ID, ISED Number and manufacturer on Shielding Case

h) Country of origin : Japan

i) Packaging : Packaging method: Tape & reel + aluminum moisture barrier bag

Packaging unit: 1000

\*It might be provided as tray at sample stage.

**EYSHCNZWZ**

TAIYO YUDEN CO., LTD.

|                              |       |                               |
|------------------------------|-------|-------------------------------|
| Control No.<br>HD-AG-A160260 | (2/5) | Control name<br>General Items |
|------------------------------|-------|-------------------------------|

## j) Notes:

## a. Limitation of Warranty

- 1) TAIYO YUDEN provides warranties only if the Product is operated under the condition set forth in this Specification. Please note that TAIYO YUDEN shall not be liable for any defect and/or malfunction arising from use of the Product under the terms and conditions other than the operating conditions hereof. In addition when this Product is used under environmental conditions such as over voltage which is not guaranteed, it may be destroyed in short mode. To ensure the security of customer's product, please add an extra fuse or/and a protection circuit for over voltage.
- 2) This Product is designed for use in products which comply with Bluetooth® Specifications. TAIYO YUDEN disclaims and is not responsible for any liability concerning infringement by this Product under any intellectual property right owned by third party in case the customer uses this Product in any product which does not comply with Bluetooth® Specifications (the "non-complying products"). Furthermore, TAIYO YUDEN warrants only that this Product complies with this Specification and does not grant any other warranty including warranty for application of the non-complying products.
- 3) In some cases, TAIYO YUDEN may use replacements as component parts of Products. Such replacement shall apply only to component part of Products, which TAIYO YUDEN deems it possible to replace or substitute according to (i) Scope of Warranty provided in this specification (e.g. Electric Characteristics, Outline, dimension, Conditions of Use, Reliability Tests, Official Standard (Type Approvals etc.)) and (ii) Quality of Products. TAIYO YUDEN also ensures traceability of such replacement on production lot basis.

## b. Instruction for Use (CAUTION)

- 1) Because Product is not designed for radiation durability, please refrain from exposing Product to radiation in the use.
- 2) Communication between this Product and other might not be established nor maintained depending upon radio environment or operating condition of this Product and other products with wireless technology.
- 3) This Product operates in the unlicensed ISM band at 2.4GHz. In case this Product is used around the other wireless devices which operate in same frequency band of this Product, there is a possibility that interference occurs between this Product and such other devices. If such interference occurs, please stop the operation of other devices or relocate this Product before using this Product or do not use this Product around the other wireless devices.
- 4) This Product mentioned in this Specification is manufactured for use in Health & Fitness Equipment, Sensor, Toys. Before using this Product in any special equipment (such as medical equipment, space equipment, air craft, disaster prevention equipment), where higher safety and reliability are duly required, the applicability and suitability of this Product must be fully evaluated by the customer at its sole risk to ensure correct and safety operation of those special equipments. Also, evaluation of the safety function of this Product even for use in general electronics equipment shall be thoroughly made and when necessary, a protective circuit shall be added in design stage, all at the customer's sole risk.

TAIYO YUDEN CO., LTD.

|                              |       |                               |
|------------------------------|-------|-------------------------------|
| Control No.<br>HD-AG-A160260 | (3/5) | Control name<br>General Items |
|------------------------------|-------|-------------------------------|

## 5) Japan Regulatory Information

This module is approved with the specific antenna on this module.

- a) Please ensure that your product can bear a label with the following information. If the product is so small that it is not practicable to place the label, please place it in the instruction manual and package.

This product installs a radio system which has been approved as a radio station in a low power data communication system based on the Radio Law.

EYSHCN : 001-A10745

## 6) Canada Regulatory Information

- a) This device complies with Industry Canada's applicable license-exempt RSSs. Operation is subject to the following two conditions: (1) this device may not cause interference, and (2) this device must accept any interference, including interference that may cause undesired operation of the device.

Le présent appareil est conforme aux CNR d'Industrie Canada applicables aux appareils radio exempts de licence. L'exploitation est autorisée aux deux conditions suivantes : 1) l'appareil ne doit pas produire de brouillage; 2) l'utilisateur de l'appareil doit accepter tout brouillage radioélectrique subi, même si le brouillage est susceptible d'en compromettre le fonctionnement.

- b) This product is certified as type of the portable device with Industry Canada Rules. To maintain compliance with RF Exposure requirement, please use within specification of this product.

Ce produit est certifié comme type de l'appareil portable avec Industrie Règles de Canada. Pour maintenir l'acquiescement avec exigence Exposition de RF, veuillez utiliser dans spécification de ce produit.

- IC: 4389B-EYSHCN

- c) Please notify certified ID by either one of the following method on your product.

Specifiez ID certifiée dans votre produit par une de méthode suivante.

-Contains Transmitter module IC : 4389B-EYSHCN

-Contains IC : 4389B-EYSHCN

## 7) FCC Regulatory Information

- a) This device complies with part 15 of the FCC Rules. Operation is subject to the following two conditions: (1) This device may not cause harmful interference, and (2) this device must accept any interference received, including interference that may cause undesired operation.

- b) Please notify certified ID by either one of the following method on your product.

-Contains Transmitter Module FCC ID: RYYEYSHCN

-Contains FCC ID: RYYEYSHCN

- c) CAUTION: changes or modifications not expressly approved by the party responsible for compliance could void the use's authority to operate the equipment.



|                              |       |                               |
|------------------------------|-------|-------------------------------|
| Control No.<br>HD-AG-A160260 | (4/5) | Control name<br>General Items |
|------------------------------|-------|-------------------------------|

- d) This product is certified as type of the portable device with FCC Rules. To maintain compliance with RF Exposure requirement, please use within specification of this product.
  - e) The antenna used for this transmitter must not be co-located or operating in conjunction with any other antenna or transmitter.
  - f) This module can change the output power depending on the circumstances by the application software which is developed by module installer. Any end user cannot change the output power.
- 8) CE Regulatory Information
- a) When your end product installs this module, it is required to proceed additional certification processes before placing on the market in EU member states to make your products fully comply with relative EU standards.
  - b) TAIYO YUDEN can provide you the test reports of conducted measurement portion for the radio module. You can utilize the test reports for the certification processes of your end product as it requires radio testing.
- c. Term of Support
- 1) In the case that customer requests TAIYO YUDEN to customize the hardware of this Product in order to meet such customer's specific needs, TAIYO YUDEN will make commercially reasonable effort to modify such hardware or software at customer's expense; provide however, the customer is kindly requested to agree it doesn't mean that TAIYO YUDEN has obligations to do so even in the case it is technically difficult for TAIYO YUDEN.
  - 2) Any failure arising out of this Product will be examined by TAIYO YUDEN regardless of before or after mass production. Customer agrees that once such failure is turned out not to be responsible for TAIYO YUDEN after aforesaid examination, some of the technical support shall be conducted by TAIYO YUDEN at customer's expense; provided however, exact cost of this technical support can be agreed through the negotiation by the parties.
  - 3) Do not alter hardware and/or software of this Product. Please note that TAIYO YUDEN shall not be liable for any problem if it is caused by customer's alteration of Hardware without Taiyo Yuden's prior approvals.
  - 4) TAIYO YUDEN does not guarantee functions and performances which depend on the customer's firmware. TAIYO YUDEN does not assume liabilities for defects and failures (i) in functions, performances and quality of the Customer's product incorporating the Products and (ii) which may occur as the Product is incorporated in the Customer's product.

|                              |       |                               |
|------------------------------|-------|-------------------------------|
| Control No.<br>HD-AG-A160260 | (5/5) | Control name<br>General Items |
|------------------------------|-------|-------------------------------|

d. Caution for Export Control

This Product may be subject to governmental approvals, consents, licenses, authorizations, declarations, filings, and registrations for export or re-export of the Product, required by Japanese Foreign Exchange and Foreign Trade Law (including related laws and regulations) and/or any other country's applicable laws or regulations related to export control.

In case you will export or re-export this Product, you are strongly recommended to check and confirm, before exporting or re-exporting, necessary procedures for export or re-export of this Product which is required by applicable laws and regulations, and if necessary, you have to obtain necessary and appropriate approvals or licenses from governmental authority at your own risk and expense.

e. Term of Warranty

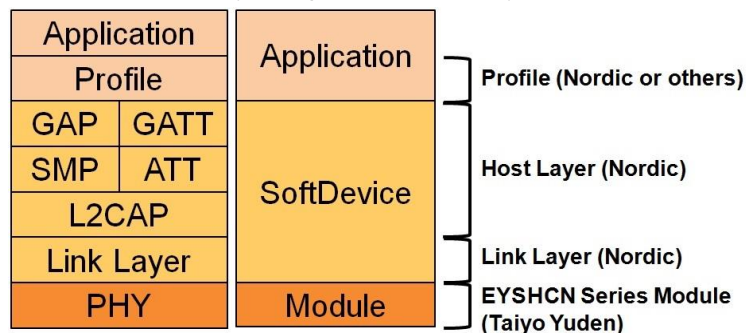
TAIYO YUDEN warrants only that this Product is in conformity with this Specification for one year after purchase and shall in no event give any other warranty.

f. Items of the Specification

- 1) Any question arising from the Specification shall be solved in good faith through mutual discussion by the parties hereof.
- 2) The language of this "General items" is Japanese and this "General items" shall be interpreted by Japanese Any copies of translation is a reference purpose only and is not binding on both parties hereto.

g. Special note

- 1) Taiyo Yuden writes firmware for and fixed SoftDevice (s132\_nrf52\_5.0.0\_softdevice.hex) to this product. Customer writes firmware that is match the customer applications including SoftDevice at the customer's own responsibility.
- 2) The Electrical Characteristics defined in this Specification are of the module with above Firmware (s132\_nrf52\_5.0.0\_softdevice.hex). If other firmware developed by Customer is installed, the characteristics may differ from the defined value in the Electrical Characteristics. Bluetooth qualification and radio type approval may become invalid.
- 3) EYSHCN series module is qualified as PHY only with Component category by Bluetooth SIG. The QDID of this module is 97470. The final product needs to get qualification as End product combining with PHY (module), SoftDevice and Profile before selling the product. The combination of Link and Host layer is differ with SoftDevice. Please refer to following combination and consult with your qualification body and BQE.





**EYSHCNZWZ**

TAIYO YUDEN CO., LTD.

|                              |       |  |
|------------------------------|-------|--|
| Control No.<br>HD-AM-A160260 | (1/1) | Control name<br>Absolute maximum ratings |
|------------------------------|-------|--|

**Absolute maximum ratings**

| Symbol   | Parameter                  | Min.     | Max.         | Units              |
|--|----------------------------|----------|--------------|--------------------|
| VCC_NRF  |                            | -0.3     | +3.9         | V                  |
| GND  |                            |          | 0            | V                  |
| VIO, VCC_NRF≤3.6V  |                            | -0.3     | VCC_NRF+ 0.3 | V                  |
| VIO, VCC_NRF>3.6V  |                            | -0.3     | +3.9         | V                  |
| Storage temperature  |                            | -40      | +85          | Deg-C              |
| MSL  | Moisture Sensitivity Level | 3        |              |                    |
| ESD HBM  | Human Body Model           |          | 1            | kV                 |
| ESD MM   | Machine Model              |          | 100          | V                  |
| Endurance  | Flash Memory Endurance     | 10000    |              | write/erase cycles |
| Retention  | Flash Memory Retention     | 10 years |              | At 40 deg-C        |
| Number of times a 512 byte block can be written between erase cycles | 32bit writes               |          | 181          | times              |

TAIYO YUDEN CO., LTD.

**EYSHCNZWZ**

TAIYO YUDEN CO., LTD.

|                              |       |  |
|------------------------------|-------|--|
| Control No.<br>HD-AE-A160260 | (1/3) | Control name<br>Electrical characteristics |
|------------------------------|-------|--|

**Electrical characteristics****Recommendation operating range**

| Symbol     | Parameter                       | Min. | Typ. | Max. | Units |
|------------|---------------------------------|------|------|------|-------|
| VCC_NRF    | Supply voltage, normal mode     | 1.7  | 3.0  | 3.6  | V     |
| tR_VCC_NRF | Supply rise time (0V to 1.7V)*1 |      |      | 60   | ms    |
| TA         | Operation temperature*2         | -40  | 25   | 85   | Deg-C |

\*1 The on-chip power-on reset circuitry may not function properly for rise times outside the specified interval. Also after power off, it must start up from below 0.3V. The on-chip power-on reset circuitry may not function properly.

\*2 ANT specification requires +/-50ppm accuracy for 32.768kHz clock. The internal 32.768kHz crystal does not meet to +/-50ppm over the whole recommended operation temperature range.

**DC Specifications**

The Specification applies for Topr.= 25 degrees C, VCC\_NRF = 3.0V

| Symbol             | Parameter (condition)                              | Min.        | Typ. | Max.        | Units |
|--------------------|--|-------------|------|-------------|-------|
| VIH                | Input high voltage                                 | 0.7 VCC_NRF |      | VCC_NRF     | V     |
| VIL                | Input low voltage                                  | GND         |      | 0.3 VCC_NRF | V     |
| VOH                | Output high voltage (high drive 5 mA)              | VCC_NRF-0.4 |      | VCC_NRF     | V     |
| VOL                | Output low voltage (high drive 5 mA)               | GND         |      | GND+0.4     | V     |
| RPU                | Pull-up resistance                                 | 11          | 13   | 16          | Kohm  |
| RPD                | Pull-down resistance                               | 11          | 13   | 16          | Kohm  |
| ITX,+4dBm<br>,DCDC | TX only run current (DCDC, 3V)<br>PRF=+4 dBm       |             | 7.5  |             | mA    |
| ITX,+4dBm          | TX only run current PRF=+4 dBm                     |             | 16.6 |             | mA    |
| IRX,1M,<br>DCDC    | RX only run current (DCDC, 3V)<br>1Msps BLE        |             | 5.4  |             | mA    |
| IRX,1M             | RX only run current 1Msps BLE                      |             | 11.7 |             | mA    |
| IRX,2M,<br>DCDC    | RX only run current (DCDC, 3V)<br>2Msps BLE        |             | 5.8  |             | mA    |
| IRX,2M             | RX only run current 2Msps BLE                      |             | 12.9 |             | mA    |
| IOFF               | Current in SYSTEM-OFF, no RAM retention            |             | 0.3  |             | uA    |
| ION                | SYSTEM-ON base current                             |             | 1.2  |             | uA    |
| IRAM               | Additional RAM retention current per 4KB RAM block |             | 20   |             | nA    |

TAIYO YUDEN CO., LTD.

|                              |       |  |
|------------------------------|-------|--|
| Control No.<br>HD-AE-A160260 | (2/3) | Control name<br>Electrical characteristics |
|------------------------------|-------|--|

**RF Specifications**

| Symbol           | Description   | Min. | Typ.   | Max. | Units |
|------------------|---|------|--------|------|-------|
| Fop              | Operating frequencies   | 2402 |        | 2480 | MHz   |
| PLLchsp          | PLL channel spacing   |      | 1      |      | MHz   |
| DfBLE1M          | Frequency deviation @ BLE 1Msps   |      | +/-250 |      | kHz   |
| DfBLE2M          | Frequency deviation @ BLE 2Msps   |      | +/-500 |      | kHz   |
| PRF              | Maximum output power  |      | 4      | 6    | dBm   |
| PRFC             | RF power control range  |      | 24     |      | dB    |
| PRFCR            | RF power accuracy   |      |        | +/-4 | dB    |
| PRF1             | 1st Adjacent Channel Transmit Power 1 MHz                                 |      | -25    |      | dBc   |
| PRF2             | 2nd Adjacent Channel Transmit Power 2 MHz                                 |      | -50    |      | dBc   |
| PRXMAX           | Maximum received signal strength at < 0.1% PER                            |      | 0      |      | dBm   |
| PSSENS,IT,1M,BLE | Receiver sensitivity 1Msps BLE Ideal transmitter<br>≤37bytes (0.1% BER)   |      | -96    |      | dBm   |
| PSSENS,IT,2M,BLE | Receiver sensitivity 2Msps BLE Ideal transmitter<br>Packet length≤37bytes |      | -93    |      | dBm   |

**Reference documents for electrical characteristics**

nRF52832\_Product Specification

[http://infocenter.nordicsemi.com/topic/com.nordic.infocenter.nrf52/dita/nrf52/chips/nrf52832\\_ps.html](http://infocenter.nordicsemi.com/topic/com.nordic.infocenter.nrf52/dita/nrf52/chips/nrf52832_ps.html)[http://infocenter.nordicsemi.com/pdf/nRF52832\\_PS\\_v1.3.pdf](http://infocenter.nordicsemi.com/pdf/nRF52832_PS_v1.3.pdf)

nRF52832\_Rev1 Errata

<http://infocenter.nordicsemi.com/topic/com.nordic.infocenter.nrf52/dita/nrf52/errata.html>[http://infocenter.nordicsemi.com/pdf/nRF52832\\_Rev\\_1\\_Errata\\_v1.5.pdf](http://infocenter.nordicsemi.com/pdf/nRF52832_Rev_1_Errata_v1.5.pdf)

S132\_SoftDevice Specification

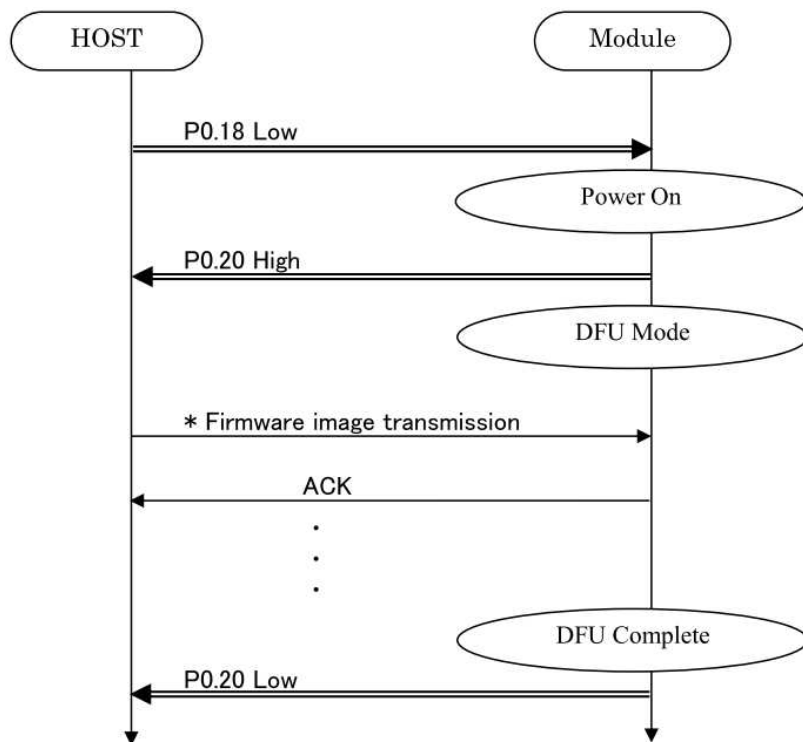
<http://infocenter.nordicsemi.com/topic/com.nordic.infocenter.softdevices52/dita/softdevices/s130/s130.html>[http://infocenter.nordicsemi.com/pdf/S132\\_SDS\\_v5.0.pdf](http://infocenter.nordicsemi.com/pdf/S132_SDS_v5.0.pdf)

For more information

<https://infocenter.nordicsemi.com/index.jsp>

|                              |       |  |
|------------------------------|-------|--|
| Control No.<br>HD-AE-A160260 | (3/3) | Control name<br>Electrical characteristics |
|------------------------------|-------|--|

**DFU Specifications**



| UART                           |             |
|--------------------------------|-------------|
| Baud rate : 38400 bps          | UART PIN :  |
| Data : 8 bit                   | RX : P0.08  |
| Parity : none                  | TX : P0.06  |
| Stop : 1 bit                   | CTS : P0.07 |
| Hardware flow control : Enable | RTS : P0.05 |

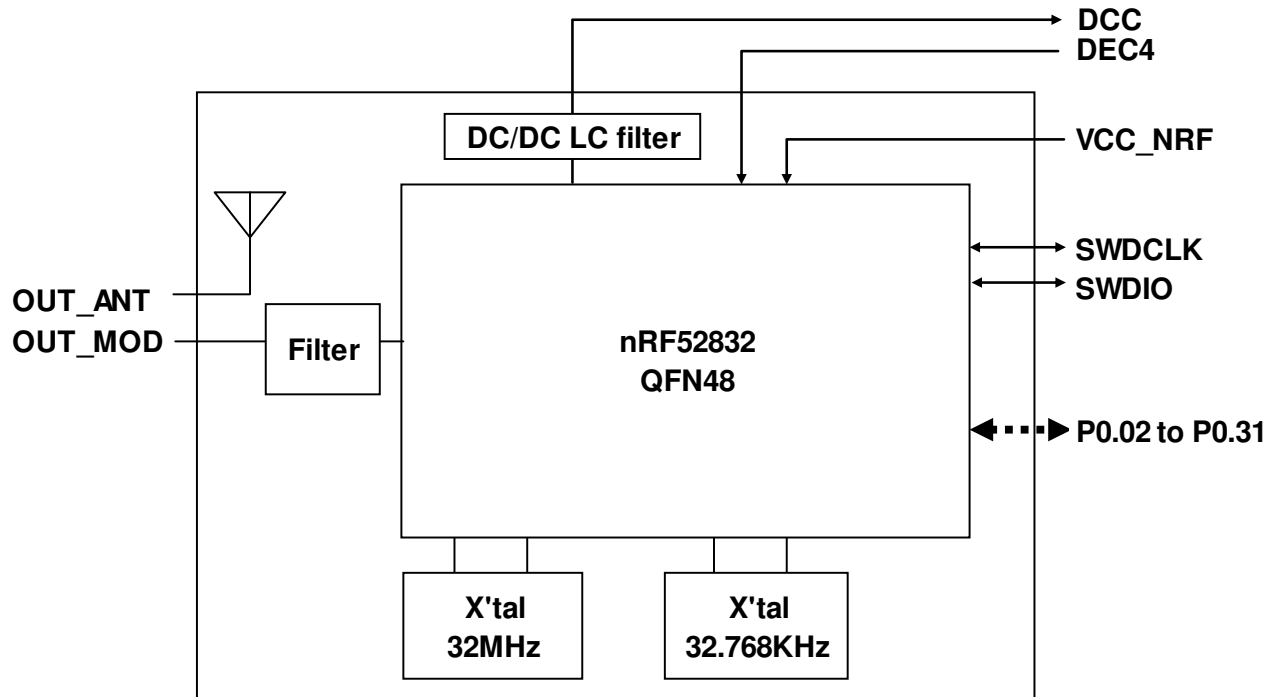
\* see Nordic Infocenter and nRFgo Studio help

[Nordic Infocenter] <http://infocenter.nordicsemi.com/index.jsp>  
 Software Development Kit > nRF5 SDK > nRF5 SDK v14.0.0 > Examples > DFU bootloader examples  
 > BLE & HCI/UART Bootloader/DFU > Transport layers > Serial (HCI) packet format  
 Software Development Kit > nRF5 SDK > nRF5 SDK v14.0.0 > Examples > DFU bootloader examples  
 > BLE & HCI/UART Bootloader/DFU > Creating a DFU bootloader

[nRFgo Studio] Download from Nordic web site <http://www.nordicsemi.com>  
 nRFgo Studio help > Program nRF5x devices > Serial Bootloader

|                              |       |                                   |
|------------------------------|-------|-----------------------------------|
| Control No.<br>HD-MC-A160260 | (1/3) | Control name<br>Circuit Schematic |
|------------------------------|-------|-----------------------------------|

**Block Diagram**



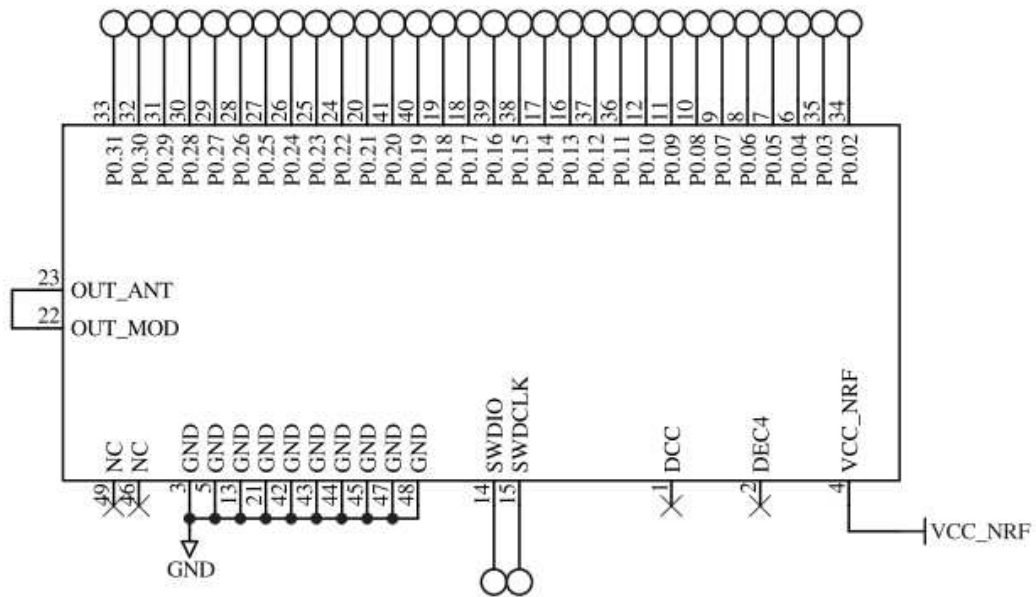
# EYSHCNZWZ

TAIYO YUDEN CO., LTD.

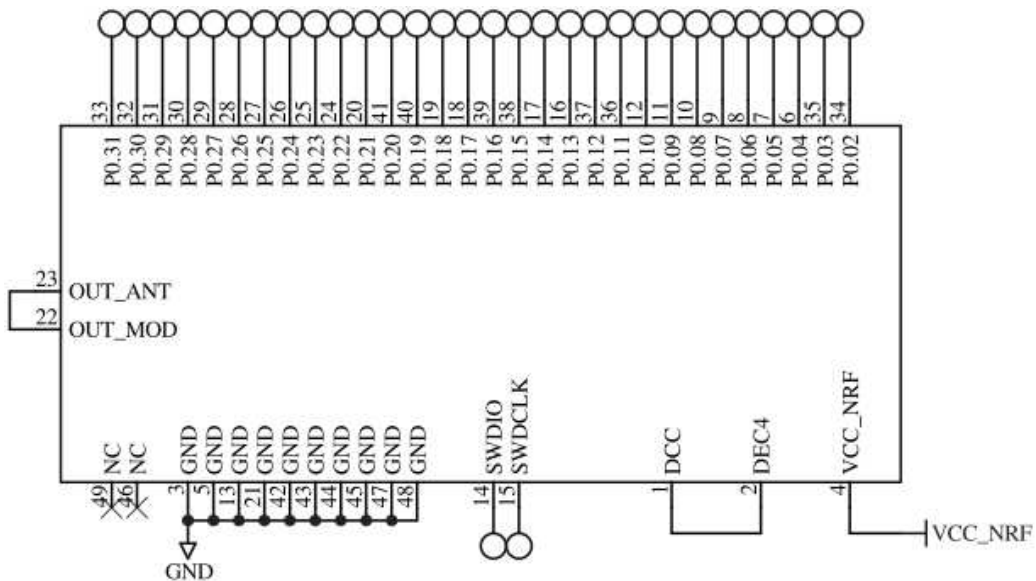
|                              |       |                                   |
|------------------------------|-------|-----------------------------------|
| Control No.<br>HD-MC-A160260 | (2/3) | Control name<br>Circuit Schematic |
|------------------------------|-------|-----------------------------------|

## Sample circuits

Internal LDO setup



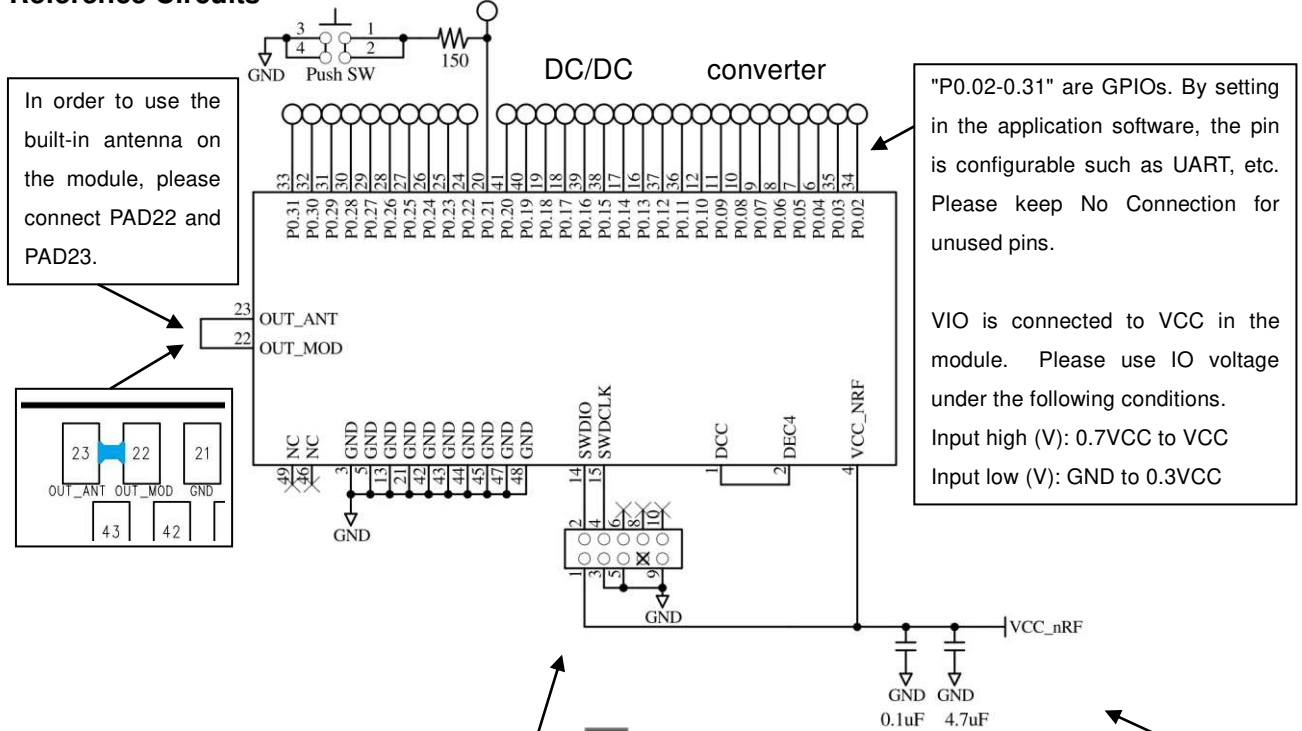
DC/DC converter setup



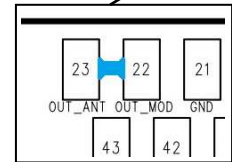


|                              |       |                                   |
|------------------------------|-------|-----------------------------------|
| Control No.<br>HD-MC-A160260 | (3/3) | Control name<br>Circuit Schematic |
|------------------------------|-------|-----------------------------------|

Reference Circuits



In order to use the built-in antenna on the module, please connect PAD22 and PAD23.



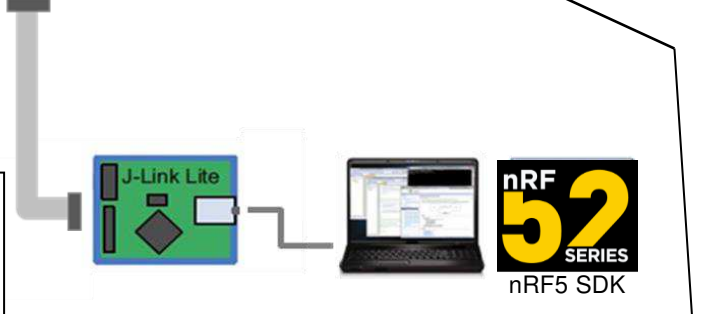
"P0.02-0.31" are GPIOs. By setting in the application software, the pin is configurable such as UART, etc. Please keep No Connection for unused pins.

VIO is connected to VCC in the module. Please use IO voltage under the following conditions.  
 Input high (V): 0.7VCC to VCC  
 Input low (V): GND to 0.3VCC

SWD (Serial Wire Debug) is a high-performance 2-pin debug port low-pin-count alternative to JTAG. It can write the application software and firmware by those pins through the J-Link Lite.

When the customers use the cable in Nordic DK to use J-LINK Lite, it will need to implement the socket on the customers main board side. The socket will be "10-pin connector two rows of 1.27mm pitch (Ex: PSS-720153-05, Hirose instrument). The cable in Nordic DK has a protection to avoid reverse connection. In order to use this cable, please remove the pin 7 of the socket on main board.

J-Link Lite is working with 3.3V. It does not work with 1.8V.



VCC: 1.7V to 3.6V

It can operate by a single supply. In case of the operation with the battery, we recommend that you add a capacitor of about 100μF in view of the voltage drop during TX/RX.

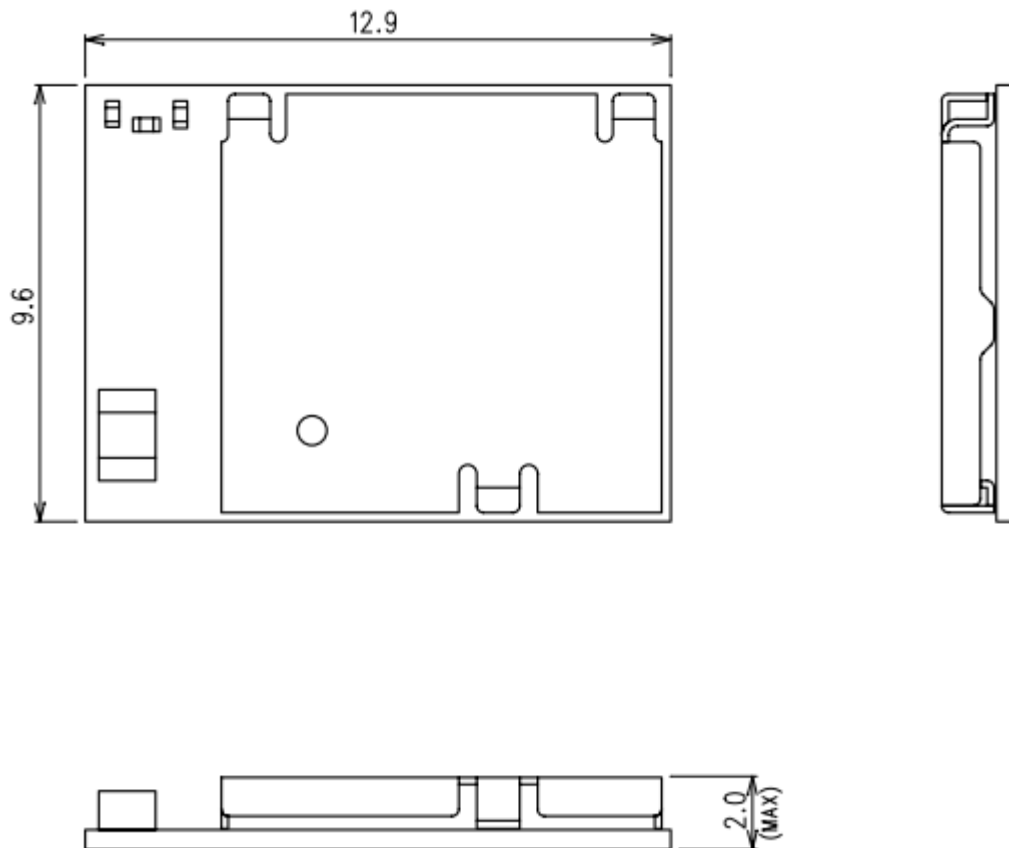
In case of the power supply voltage fluctuation by the load change is large, the module may not function properly.

If an external regulator is used, the load change characteristic should be good in order to keep stable voltage as possible when the current is change.

# EYSHCNZWZ

TAIYO YUDEN CO., LTD.

|                                       |                                    |
|---------------------------------------|------------------------------------|
| Control No.<br>HD-AD-A160260<br>(1/3) | Control name<br>Outline/Appearance |
|---------------------------------------|------------------------------------|



Tolerance: +/- 0.2mm  
 Unit : (mm)

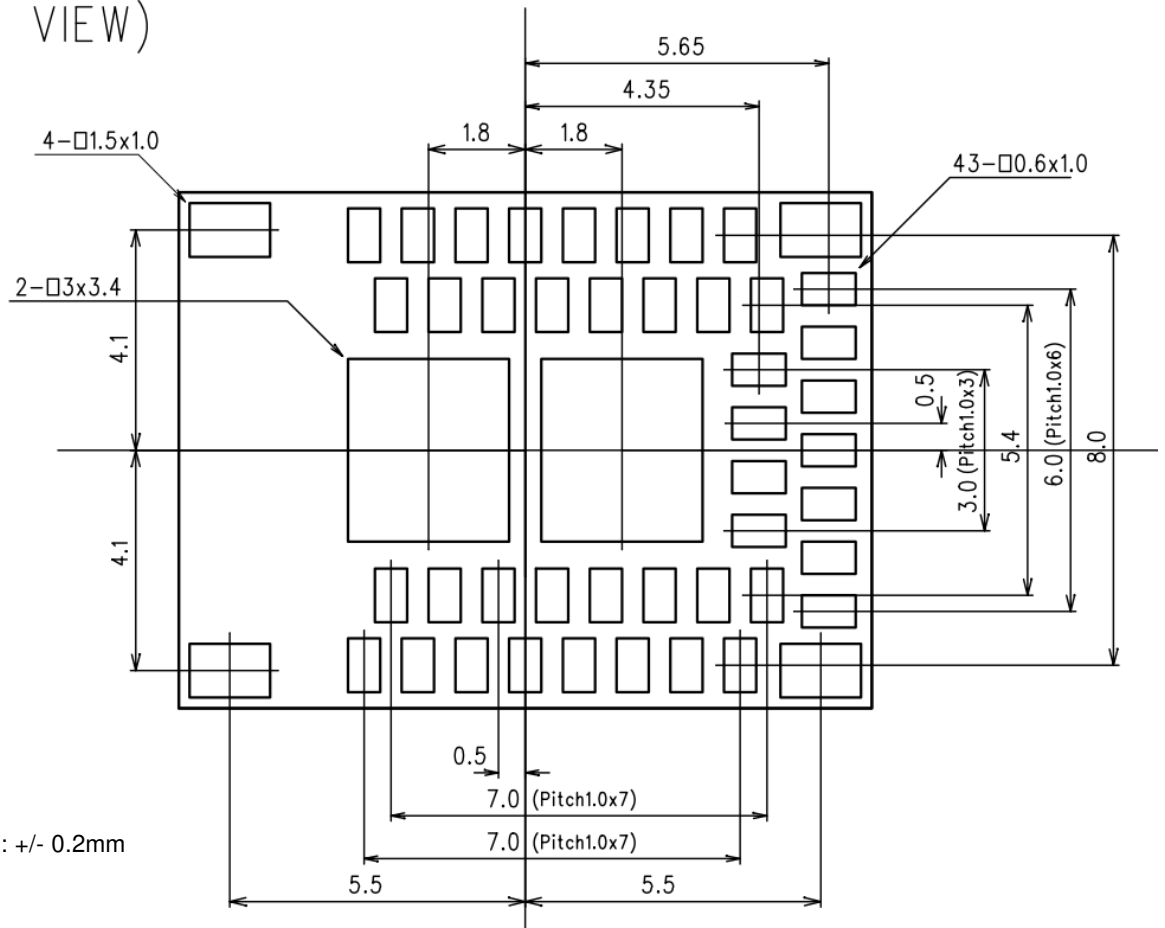
TAIYO YUDEN CO., LTD.

# EYSHCNZWZ

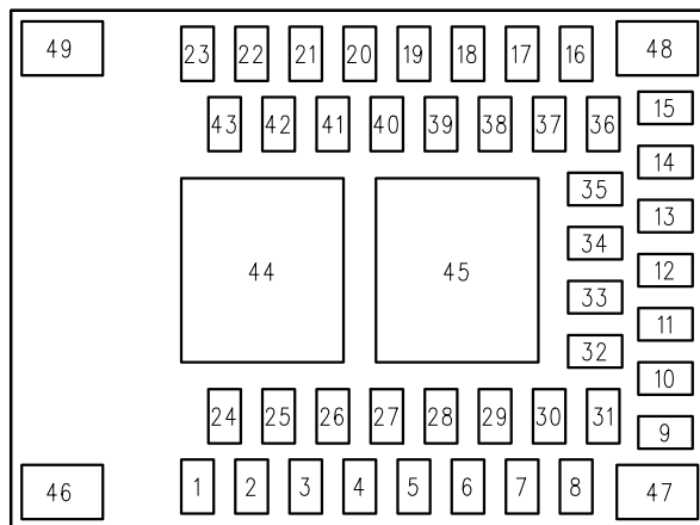
TAIYO YUDEN CO., LTD.

|                              |       |                                    |
|------------------------------|-------|------------------------------------|
| Control No.<br>HD-AD-A160260 | (2/3) | Control name<br>Outline/Appearance |
|------------------------------|-------|------------------------------------|

(TOP VIEW)



Tolerance: +/- 0.2mm  
Unit: mm



TAIYO YUDEN CO., LTD.

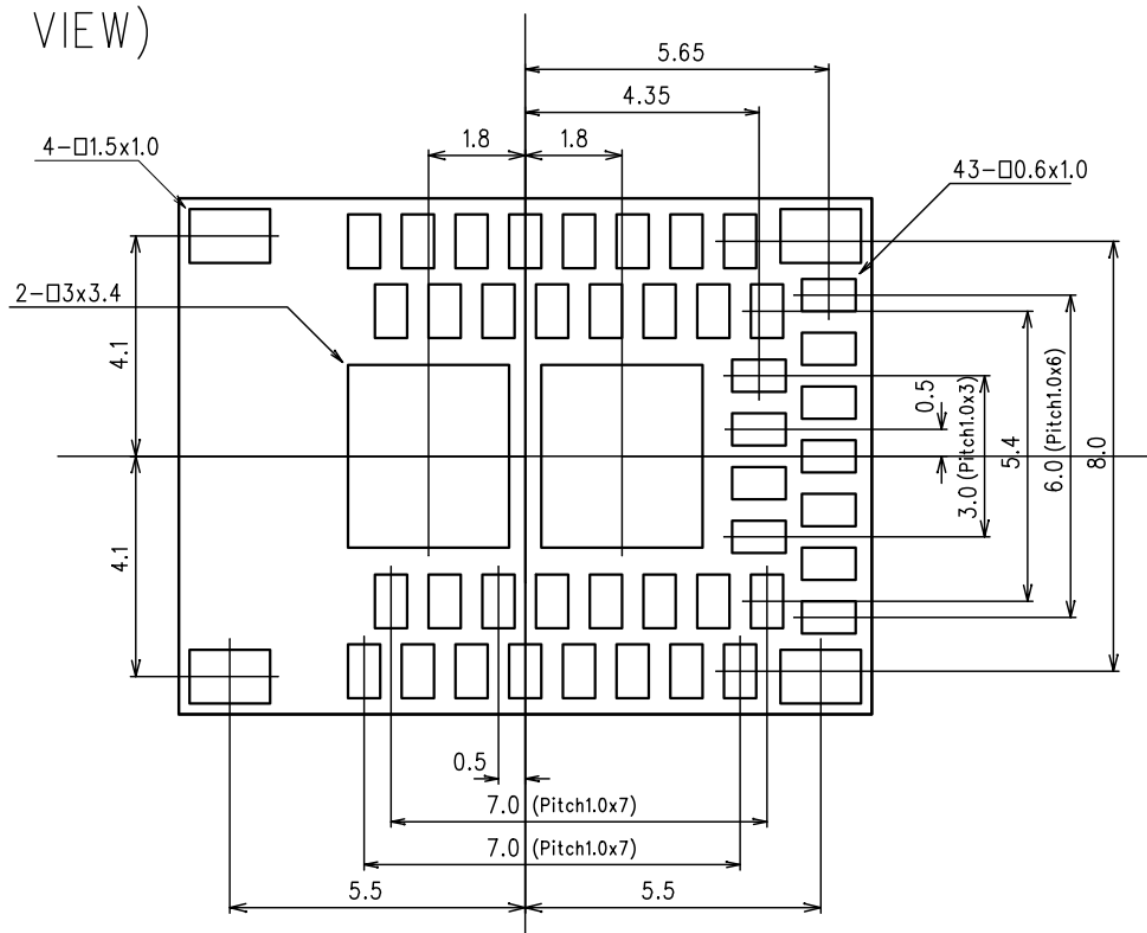
**EYSHCNZWZ**

TAIYO YUDEN CO., LTD.

|                              |       |                                    |
|------------------------------|-------|------------------------------------|
| Control No.<br>HD-AD-A160260 | (3/3) | Control name<br>Outline/Appearance |
|------------------------------|-------|------------------------------------|

**LAND PATTERN EXAMPLE**

(TOP VIEW)

**Recommended metal mask for solder printing**

| Pad size                     | Mask opening |
|------------------------------|--------------|
| Signal pad 43 – 0.6 x 1.0 mm | 0.5 x 0.9 mm |
| Corner pad 4 – 1.5 x 1.0 mm  | 1.0 x 0.7 mm |
| Center pad 2 – 3.0 x 3.4 mm  | 2.6 x 3.0 mm |

The center of each mask opening is same as the pad center.

The metal mask thickness:  $t=0.1\text{mm}$

The solder volume should be same by changing the mask opening if different metal mask thickness is used.

TAIYO YUDEN CO., LTD.

**EYSHCNZWZ**

TAIYO YUDEN CO., LTD.

|                              |       |                            |
|------------------------------|-------|----------------------------|
| Control No.<br>HD-BA-A160260 | (1/2) | Control name<br>Pin Layout |
|------------------------------|-------|----------------------------|

**Pin Descriptions**

| Pin | Pin name              | Pin function                | Description   |
|-----|-----------------------|-----------------------------|---|
| 1   | DCC                   | Power                       | DC/DC converter output pin (built-in LC for DC/DC).                                       |
| 2   | DEC4                  | Power                       | 1V3 regulator supply decoupling.<br>Input from DC/DC converter. Output from 1.3 V LDO.    |
| 3   | GND                   | Ground                      | Ground pin. (0 V)   |
| 4   | VCC_NRF               | Power                       | Power supply pin.   |
| 5   | GND                   | Ground                      | Ground pin. (0 V)   |
| 6   | P0.04<br>AIN2         | Digital I/O<br>Analog input | General purpose I/O pin.<br>SAADC/COMP/LPCOMP input.                                      |
| 7   | P0.05<br>AIN3         | Digital I/O<br>Analog input | General purpose I/O pin.<br>SAADC/COMP/LPCOMP input.                                      |
| 8   | P0.06                 | Digital I/O                 | General purpose I/O pin.  |
| 9   | P0.07                 | Digital I/O                 | General purpose I/O pin.  |
| 10  | P0.08                 | Digital I/O                 | General purpose I/O pin.  |
| 11  | NFC1<br>P0.09         | NFC input<br>Digital I/O    | NFC antenna connection.<br>General purpose I/O pin.                                       |
| 12  | NFC2<br>P0.10         | NFC input<br>Digital I/O    | NFC antenna connection.<br>General purpose I/O pin.                                       |
| 13  | GND                   | Ground                      | Ground pin. (0 V)   |
| 14  | SWDIO                 | Digital I/O                 | Serial Wire Debug I/O for debug and programming   |
| 15  | SWDCLK                | Digital input               | Serial Wire Debug clock input for debug and programming                                   |
| 16  | P0.13                 | Digital I/O                 | General purpose I/O pin.  |
| 17  | P0.14<br>TRACEDATA[3] | Digital I/O                 | General purpose I/O pin.<br>Trace port output.  |
| 18  | P0.17                 | Digital I/O                 | General purpose I/O pin   |
| 19  | P0.18<br>TRACEDATA[0] | Digital I/O                 | General purpose I/O pin<br>Trace port output.   |
| 20  | P0.21<br>RESET        | Digital I/O                 | General purpose I/O pin<br>Configurable as system RESET pin.<br>(Factory default : RESET) |
| 21  | GND                   | Ground                      | Ground pin. (0 V)   |
| 22  | OUT_MOD               | RF In/Out                   | RF I/O pin. It should be connected to Pin 23 OUT_ANT for normal operation.                |

**EYSHCNZWZ**

TAIYO YUDEN CO., LTD.

|                              |       |                            |
|------------------------------|-------|----------------------------|
| Control No.<br>HD-BA-A160260 | (2/2) | Control name<br>Pin Layout |
|------------------------------|-------|----------------------------|

| Pin      | Pin name              | Pin function                | Description  |
|----------|-----------------------|-----------------------------|--|
| 23       | OUT_ANT               | Antenna In/Out              | Internal antenna. It should be connected to Pin 22 OUT_MOD for normal operation. |
| 24       | P0.22                 | Digital I/O                 | General purpose I/O pin.   |
| 25       | P0.23                 | Digital I/O                 | General purpose I/O pin.   |
| 26       | P0.24                 | Digital I/O                 | General purpose I/O pin.   |
| 27       | P0.25                 | Digital I/O                 | General purpose I/O pin.   |
| 28       | P0.26                 | Digital I/O                 | General purpose I/O pin.   |
| 29       | P0.27                 | Digital I/O                 | General purpose I/O pin.   |
| 30       | P0.28<br>AIN4         | Digital I/O<br>Analog input | General purpose I/O pin.<br>SAADC/COMP/LPCOMP input.                             |
| 31       | P0.29<br>AIN5         | Digital I/O<br>Analog input | General purpose I/O pin.<br>SAADC/COMP/LPCOMP input.                             |
| 32       | P0.30<br>AIN6         | Digital I/O<br>Analog input | General purpose I/O pin.<br>SAADC/COMP/LPCOMP input.                             |
| 33       | P0.31<br>AIN7         | Digital I/O<br>Analog input | General purpose I/O pin.<br>SAADC/COMP/LPCOMP input.                             |
| 34       | P0.02<br>AIN0         | Digital I/O<br>Analog input | General purpose I/O pin.<br>SAADC/COMP/LPCOMP input.                             |
| 35       | P0.03<br>AIN1         | Digital I/O<br>Analog input | General purpose I/O pin.<br>SAADC/COMP/LPCOMP input.                             |
| 36       | P0.11                 | Digital I/O                 | General purpose I/O pin.   |
| 37       | P0.12                 | Digital I/O                 | General purpose I/O pin.   |
| 38       | P0.15<br>TRACEDATA[2] | Digital I/O                 | General purpose I/O pin.<br>Trace port output.                                   |
| 39       | P0.16<br>TRACEDATA[1] | Digital I/O                 | General purpose I/O pin.<br>Trace port output.                                   |
| 40       | P0.19                 | Digital I/O                 | General purpose I/O pin.   |
| 41       | P0.20<br>TRACECLK     | Digital I/O                 | General purpose I/O pin.<br>Trace port clock output.                             |
| 42 to 45 | GND                   | Ground                      | Ground pin. (0 V)  |
| 46       | NC                    | Not Connected               | Isolated pad on PCB for mechanical stability.                                    |
| 47 to 48 | GND                   | Ground                      | Ground pin (0 V)   |
| 49       | NC                    | Not Connected               | Isolated pad on PCB for mechanical stability.                                    |

TAIYO YUDEN CO., LTD.



|                          |       |                                     |
|--------------------------|-------|-------------------------------------|
| Control No.<br>HQ-BA-537 | (1/2) | Control name<br>Handling Precaution |
|--------------------------|-------|-------------------------------------|

This specification describes desire and conditions especially for mounting.

#### Desire/Conditions

- (1) Environment conditions for use and storage
1. Store the components in an environment of < **40deg-C/90%RH** if they are in a moisture barrier bag packed by TAIYO YUDEN.
  2. Keep the factory ambient conditions at < **30deg-C/60%RH**.
  3. Store the components in an environment of < **25±5deg-C/10%RH** after the bag is opened.  
(The condition is also applied to a stay in the manufacture process).
- (2) Conditions for handling of products
- Make sure all of the moisture barrier bags have no holes, cracks or damages at receiving. If an abnormality is found on the bag, its moisture level must be checked in accordance with 2 in (2).

Refer to the label on the bag.

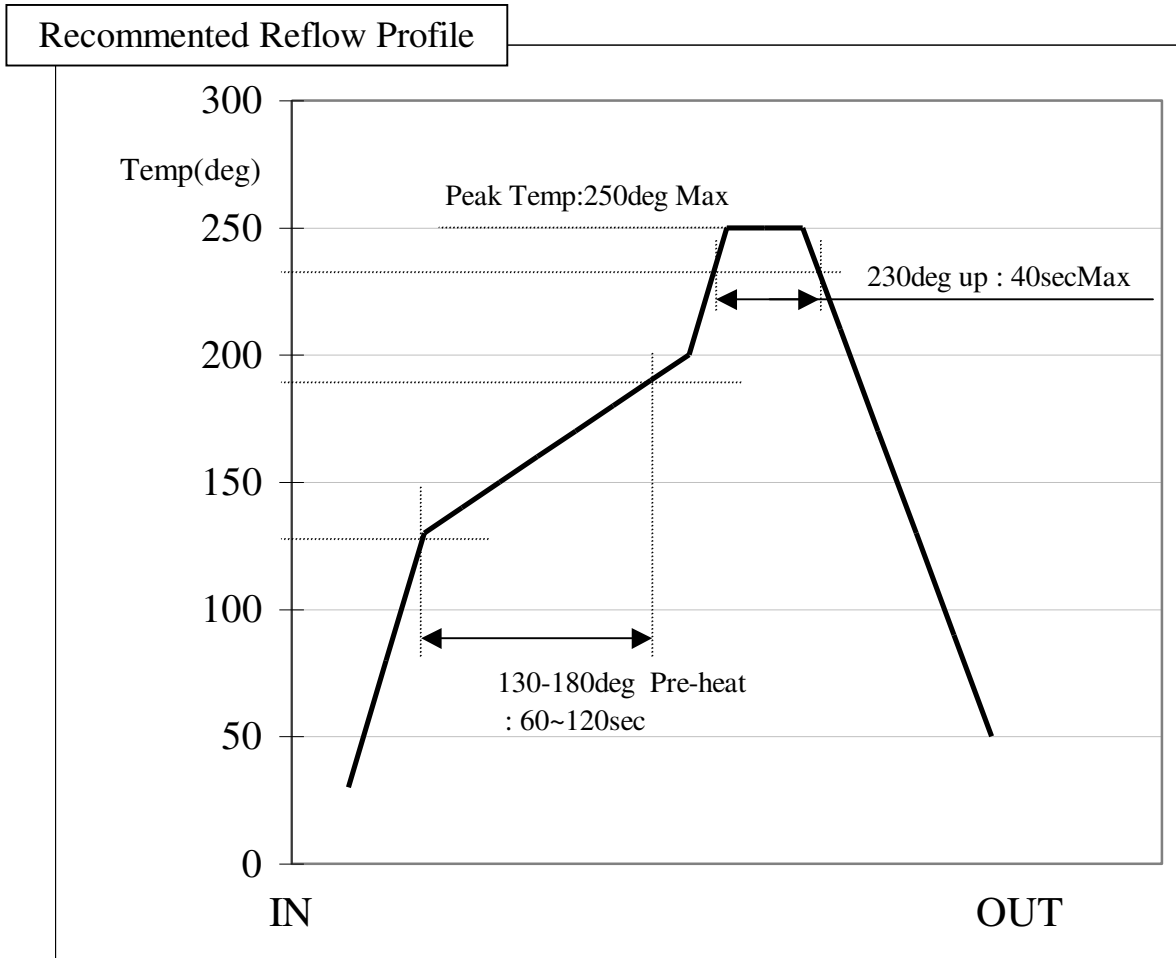
1. All of the surface mounting process (reflow process) must be completed **in 12 months** from the bag sea date.
2. Make sure humidity in the bag is less than **10%RH** immediately after open, using a humidity indicator card sealed with the components.
3. **All** of the surface mounting process (reflow process including rework process) must be completed in **168 hours** after the bag is opened (inclusive of any other processes).
4. If any conditions in (1) or condition 2 and 3 in (2) are not met, bake the components in accordance with the conditions at **125deg-C 24hours**
5. As a rule, baking the components in accordance with conditions 4 in (2) shall be once.
6. Since semi-conductors are inside of the components, they must be free from static electricity while handled.(<100V) Use ESD protective floor mats, wrist straps, ESD protective footwear, air ionizers etc. , if necessary.
7. Please make sure that there are lessen mechanical vibration and shock for this module, and do not drop it.
8. Please recognize pads of back side at surface mount.
9. Washing the module is not recommended. If washing cannot be avoided, please test module functionality and performance after thoroughly drying the module. We cannot be held responsible for any failure due washing the module..
10. Please perform temperature conditions of module at reflow within the limits of the following.

Please give the number of times of reflow as a maximum of 2 times.

# EYSHCNZWZ

TAIYO YUDEN CO., LTD.

|                          |       |                                     |
|--------------------------|-------|-------------------------------------|
| Control No.<br>HQ-BA-537 | (2/2) | Control name<br>Handling Precaution |
|--------------------------|-------|-------------------------------------|



TAIYO YUDEN CO., LTD.

|                              |       |   |
|------------------------------|-------|---|
| Control No.<br>HD-BB-A160260 | (1/3) | Control name<br>Packaging Specification |
|------------------------------|-------|---|

Packaging Specification

梱包仕様

(1) Packaging Material 梱包材料

| Name<br>部材名                             | Outline<br>概要                            | Materials<br>材質         | Note<br>備考 |
|---|--|-------------------------|------------|
| Emboss<br>エンボス                          | 24mm wide - 12mmPitch<br>24mm幅 - 12mmピッチ | Conductive PS<br>導電性 PS |            |
| Cover Tape<br>カバーテープ                    |  |                         |            |
| Reel<br>リール                             | φ 330 mm                                 | Conductive PS<br>導電性 PS |            |
| Desiccant<br>乾燥剤                        | 30g×1                                    |                         |            |
| Humidity indicator card<br>湿度インジケータ     |  |                         |            |
| Aluminum moisture barrier bag<br>アルミ防湿袋 | 420×460(mm)                              | (AS)PET/AL/NY/PE(AS)    |            |
| Label<br>ラベル                            |  |                         |            |
| Corrugated cardboard box(Inner)<br>個装箱  | 339×351×74(mm)                           |                         |            |
| Corrugated cardboard box(Outer)<br>外装箱  | 369×369×277(mm)                          |                         |            |

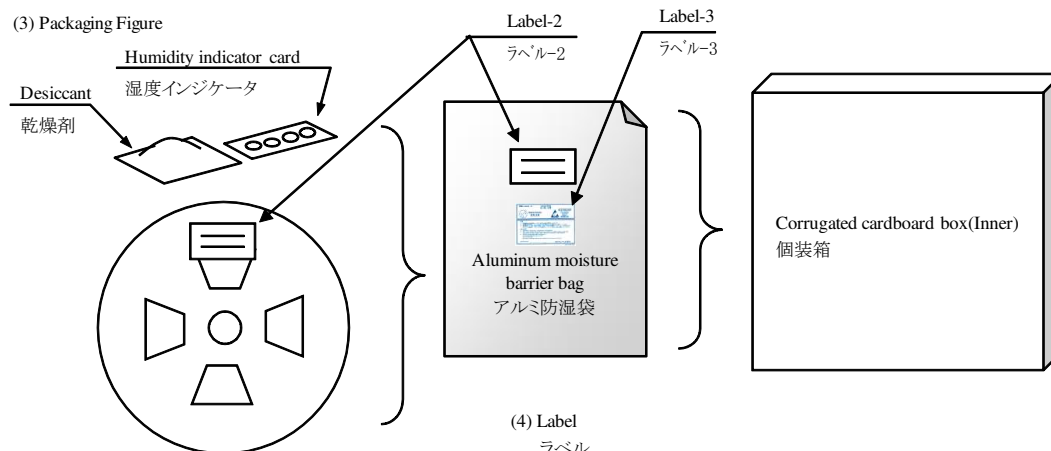
(2) Packaging Unit

梱包数量

Max 1000 pieces/Reel

Max 3000 pieces/Box(Outer)

(3) Packaging Figure



(4) Label

ラベル

Label-1

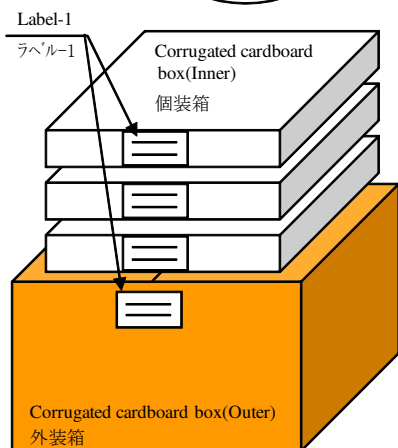
- ・CAMpany NAME 御社名
- ・PURCHASE ORDER 注文番号
- ・DESCRIPITON 品名
- ・QUANTITY 数量
- ・LotNo. ロット番号

Label-2

- ・PURCHASE ORDER 注文番号
- ・DESCRIPITON 品名
- ・QUANTITY 数量
- ・LotNo. ロット番号

Label-3

- CAUTION LABEL  
注意ラベル
- ・MSL Level3

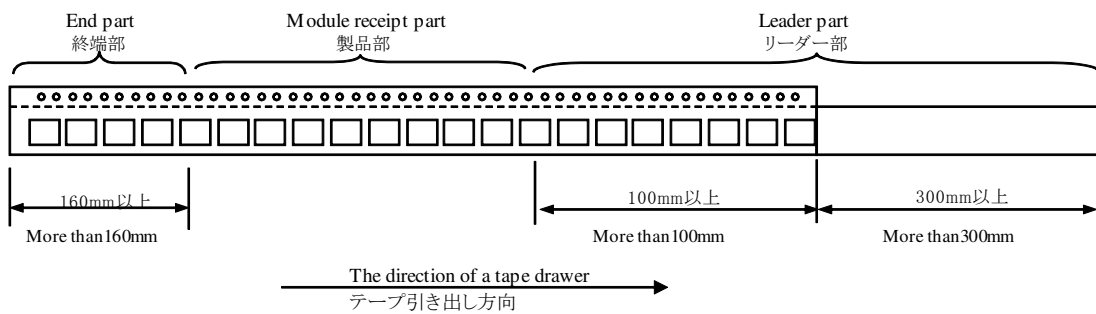
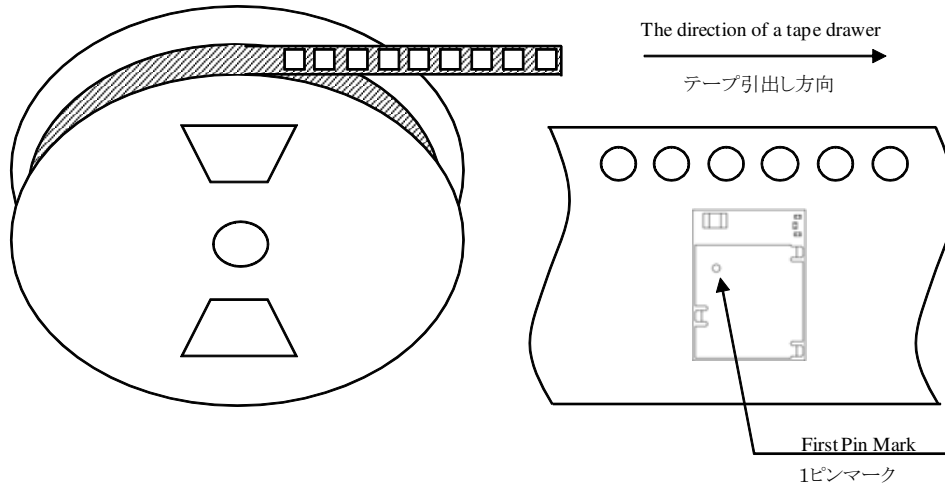


# EYSHCNZWZ

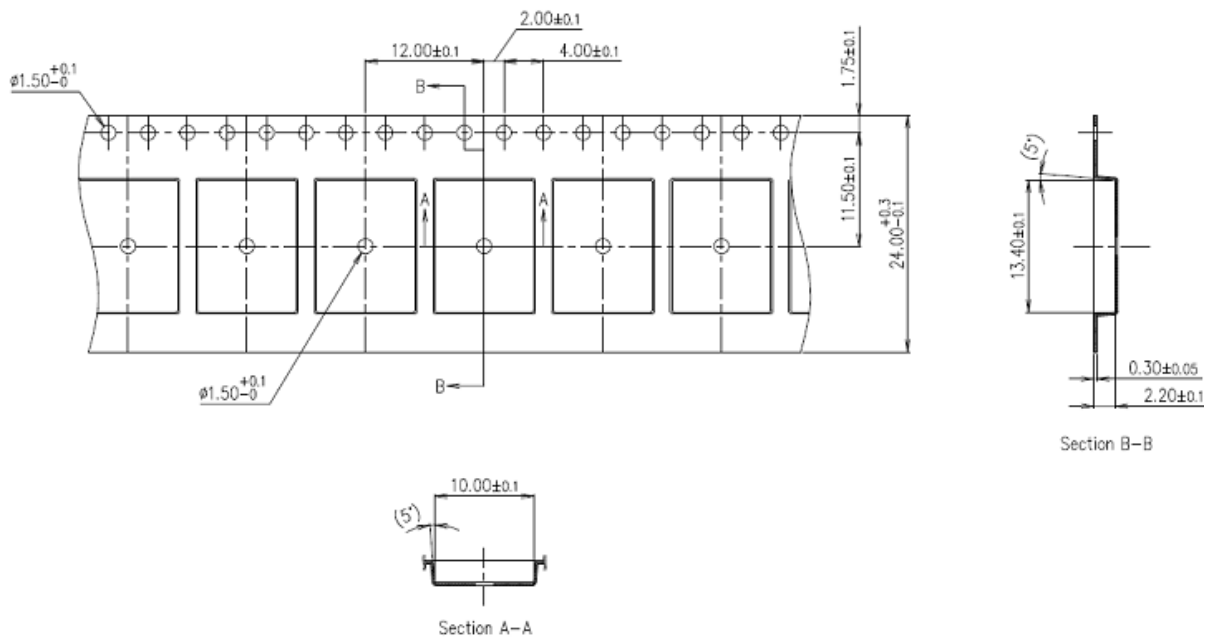
TAIYO YUDEN CO., LTD.

|                              |       |   |
|------------------------------|-------|---|
| Control No.<br>HD-BB-A160260 | (2/3) | Control name<br>Packaging Specification |
|------------------------------|-------|---|

Tape specification  
テーピング仕様



キャリアエンボス図面



TAIYO YUDEN CO., LTD.

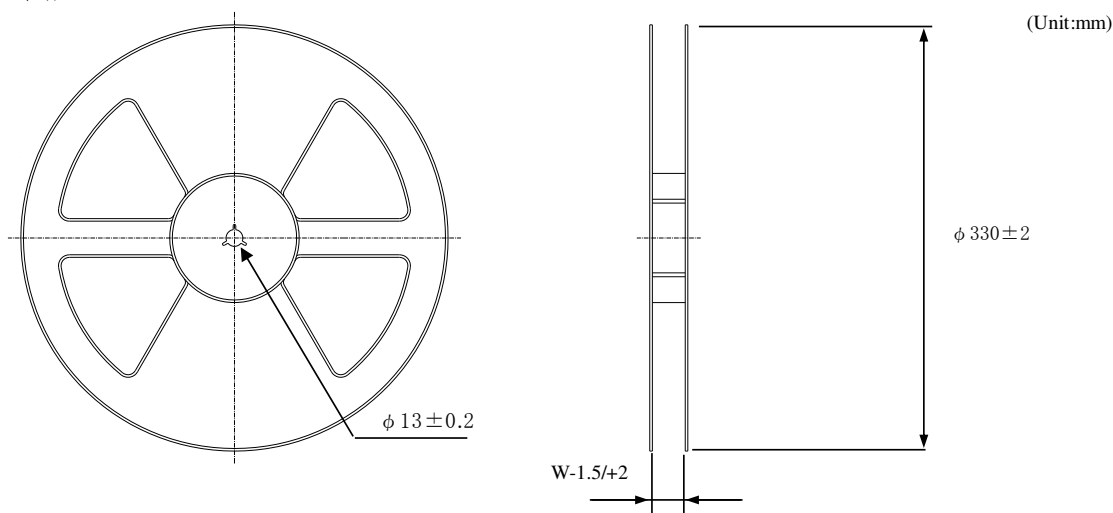
## EYSHCNZWZ

TAIYO YUDEN CO., LTD.

|                              |       |   |
|------------------------------|-------|---|
| Control No.<br>HD-BB-A160260 | (3/3) | Control name<br>Packaging Specification |
|------------------------------|-------|---|

## Reel specification

リール仕様



|           |       |        |        |        |        |        |
|-----------|-------|--------|--------|--------|--------|--------|
| Tape wide | 8mm   | 12mm   | 16mm   | 24mm   | 32mm   | 44mm   |
| W         | 9.4mm | 13.4mm | 17.4mm | 25.4mm | 33.4mm | 45.4mm |

## Taping performance

テーピング性能

Both of an embossing tape top cover tape bear this, when the power of 10N is applied in the direction of a drawer.

- ・エンボステープ、トップカバーテープともに、引き出し方向に10Nの力を加えた場合に、これに耐えること。

The exfoliation adhesion of a top cover tape is the intensity of 0.1~1.3N.

(The angle to pull is 165~180 degrees. The speed to pull is 300 mm/min.)

- ・トップカバーテープの剥離強度は、角度165~180度に保ち、300mm/minのスピードでトップカバーテープを引っ張ったとき、0.1~1.3Nとする。

## Note

備考

Lack of the parts in 1 reel is with two or less pieces.

1リール中の部品の欠落は2個までとします。(ラベル表示数量と梱包数は同じです。欠落とはテープ内でのモジュール抜けが2個まで許容させていただくという意味になります。)

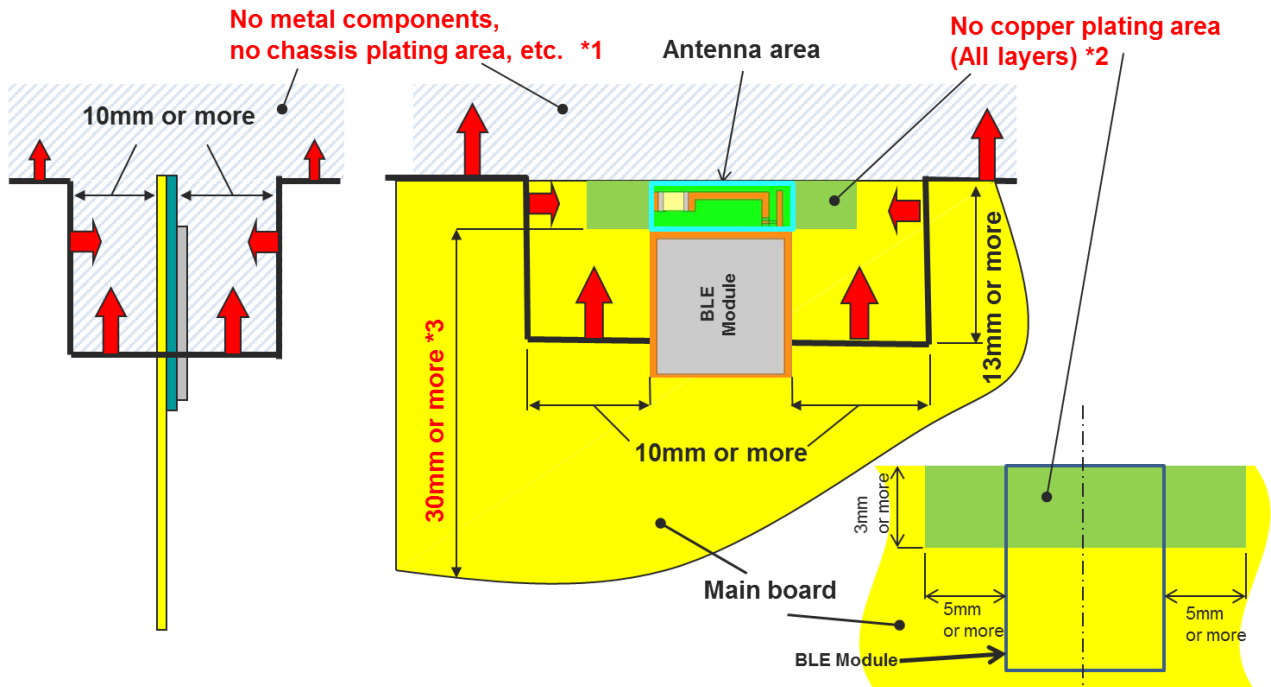
MSL Level 3 Under control

MSL はレベル3 で管理しています。

TAIYO YUDEN CO., LTD.

|                      |  |
|----------------------|--|
| Control No.<br>(1/3) | Control name<br>Antenna application note |
|----------------------|--|

### Recommended module mounting example



\*1 Please do not place any metal components in blue shaded space,(\*1) such as signal line and metal chassis as possible except for main board while mounting the components in \*1 space on the main board is allowed except for no copper plating area. (\*2).

\*2 This area is routing prohibited area on the main board. Please do not place copper on any layer. Please remain use of FR-4 dielectric material. The antenna is tuned with the FR-4.

\*3 Characteristics may deteriorate when GND pattern length is less than 30mm. It should be 30 mm or more as possible.

Even when above mentioned condition is satisfied, communication performance may be significantly deteriorated depending on the structure of the product.