



Chipsmall Limited consists of a professional team with an average of over 10 year of expertise in the distribution of electronic components. Based in Hongkong, we have already established firm and mutual-benefit business relationships with customers from,Europe,America and south Asia,supplying obsolete and hard-to-find components to meet their specific needs.

With the principle of "Quality Parts,Customers Priority,Honest Operation,and Considerate Service",our business mainly focus on the distribution of electronic components. Line cards we deal with include Microchip,ALPS,ROHM,Xilinx,Pulse,ON,Everlight and Freescale. Main products comprise IC,Modules,Potentiometer,IC Socket,Relay,Connector.Our parts cover such applications as commercial,industrial, and automotives areas.

We are looking forward to setting up business relationship with you and hope to provide you with the best service and solution. Let us make a better world for our industry!



Contact us

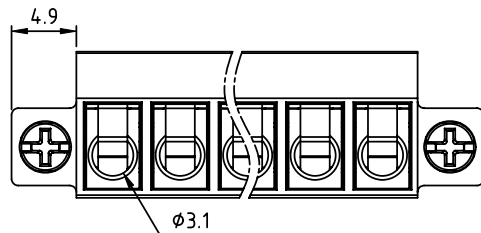
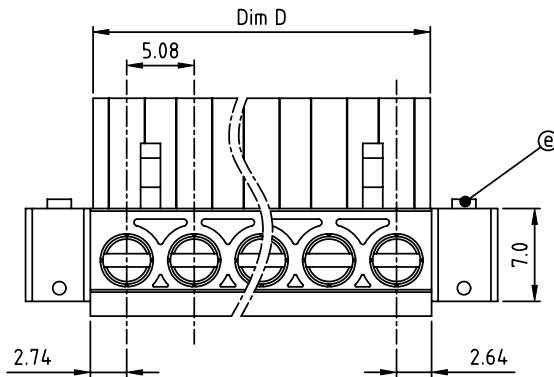
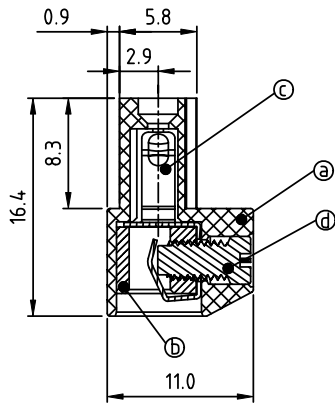
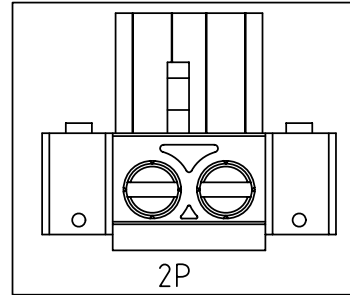
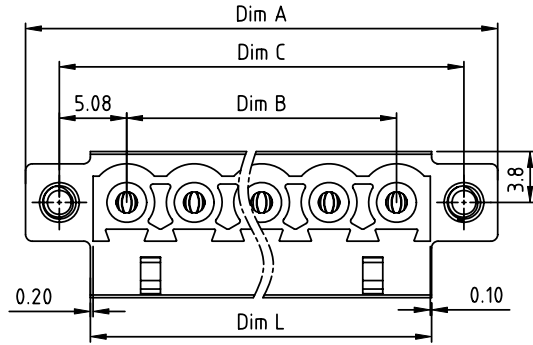
Tel: +86-755-8981 8866 Fax: +86-755-8427 6832

Email & Skype: info@chipsmall.com Web: www.chipsmall.com

Address: A1208, Overseas Decoration Building, #122 Zhenhua RD., Futian, Shenzhen, China



PRODUCT NUMBER	PITCH
EZxx51x200J0G	5.08 mm



- Material:
- Item ① Terminal(housing): Thermoplastic (UL94V-0)
 - Item ② Clamp: Brass(CuZn) Ni plated
 - Item ③ Female contact: PhBz Tin plated
 - Item ④ Terminal Screw: Steel zinc plated. "-" solt type
 - Item ⑤ With flange screw: M2.5 Steel Zinc plated. "+/-" solt type

- Electrical: cULus
- Voltage rating: 300 V
 - Current rating: 15 A
 - Wire range:
 - Solid wire(AWG):12-22
 - Stranded wire(AWG):12-22
 - Torque: 4.3 Lb-In
 - Screw:M3
 - Wire strip length:7-8 mm
 - Withstanding Voltage:1.6KV
 - Operating temperature:-40°C to +115°C
 - Safety Approval:

N=NUMBER OF POLES

Dim L=N×5.08+0.3	
Dim A=(N-1)×5.08+15.24	
Dim B=(N-1)×5.08	
Dim C=(N-1)×5.08+10.16	
Dim D=N×5.08	
POLES	Tolerance
2P-6P	±0.15
7P-12P	±0.20
13P-18P	±0.25
19P-24P	±0.30

PART NO.: EZ xx 51 x 2 00J0 G

Solid block	0	Black (RAL9005)	RoHS compliant (lead<4%)
No. of poles	2	Red (RAL3001/D)	In copper Alloy
02	2 poles	3 Orange(RAL2011/P)	
03	3 poles	4 Yellow(RAL1018/A)	
...	...	5 Green(RAL6018/T)	
24	24 poles	6 Blue (RAL5015/A)	
		8 Grey(RAL7035/D)	
		9 White(RAL1102)	
		C Green(RAL6018/U)	

mat'l. code		surface ASME Y14.5	tolerance ASME Y14.5	projection 	product family TERMINAL BLOCK		
ltr	ecn no	dr	date	tolerances unless otherwise specified	title TERMINAL BLOCK PLUGGABLE PLUG, WITH FLANGE		
				angles 	MM		
				X±0.5	scale		
				X.X±0.3	dr		
				X*±1"	ENGR		
					EVIN ZHONG 041814		
					chr		
					HANKE FENG 041814		
					appd		
					SHI JUN 041814		
sheet index	revision	A			dwg no	sheet 1 of 1	size
	sheet	1			EZxx51x200J0G	A4	
					type	CUSTOMER Drawing	