



Chipsmall Limited consists of a professional team with an average of over 10 year of expertise in the distribution of electronic components. Based in Hongkong, we have already established firm and mutual-benefit business relationships with customers from,Europe,America and south Asia,supplying obsolete and hard-to-find components to meet their specific needs.

With the principle of “Quality Parts,Customers Priority,Honest Operation,and Considerate Service”,our business mainly focus on the distribution of electronic components. Line cards we deal with include Microchip,ALPS,ROHM,Xilinx,Pulse,ON,Everlight and Freescale. Main products comprise IC,Modules,Potentiometer,IC Socket,Relay,Connector.Our parts cover such applications as commercial,industrial, and automotives areas.

We are looking forward to setting up business relationship with you and hope to provide you with the best service and solution. Let us make a better world for our industry!



Contact us

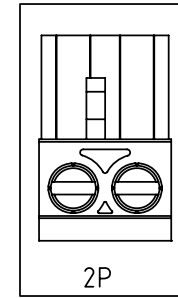
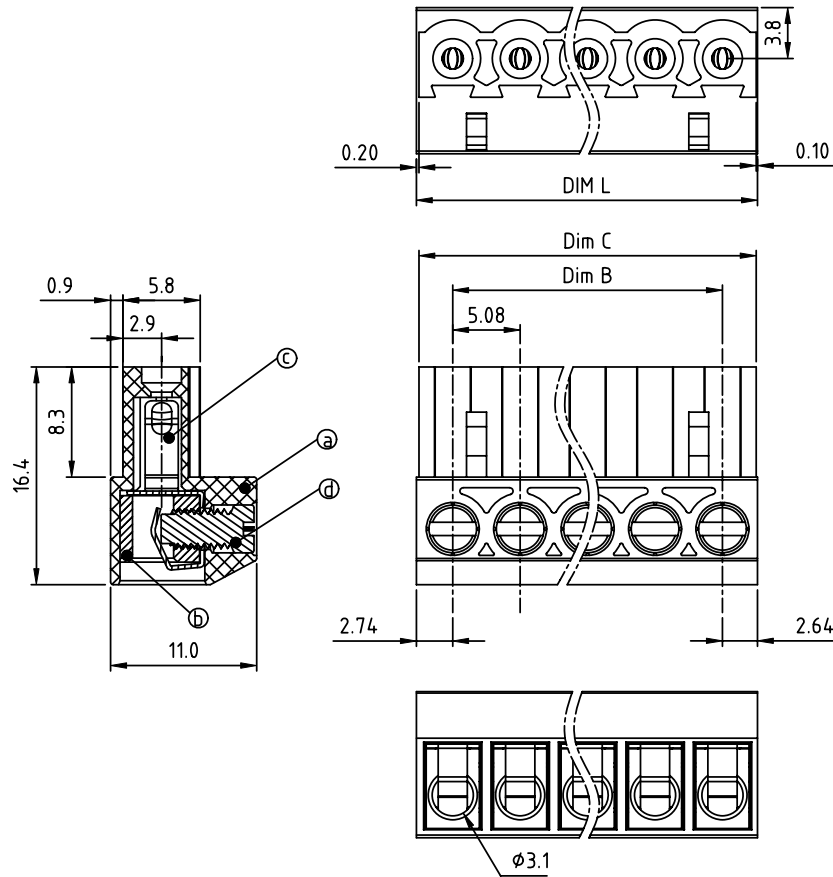
Tel: +86-755-8981 8866 Fax: +86-755-8427 6832

Email & Skype: info@chipsmall.com Web: www.chipsmall.com

Address: A1208, Overseas Decoration Building, #122 Zhenhua RD., Futian, Shenzhen, China



PRODUCT NUMBER	PITCH
EZxx51x000J0G	5.08 mm



- Material:
- ItemⒶ Terminal(housing): Thermoplastic (UL94V-0)
 - ItemⒷ Clamp: Brass(CuZn) Ni plated
 - ItemⒸ Female contact: PhBz Tin plated
 - ItemⒹ Terminal Screw: Steel zinc plated.

- Electrical: cULus
- Voltage rating: 300 V
 - Current rating: 15 A
 - Wire range:
 - Solid wire(AWG):12-22
 - Stranded wire(AWG):12-22
 - Torque: 4.3 Lb-In
 - Screw:M3
 - Wire strip length:7-8 mm
 - Withstanding Voltage:1.6KV
 - Operating temperature:-40°C to +115°C
 - Safety Approval:

PART NO.: EZ xx 51 x 0 00J0 G

N=NUMBER OF POLES

Dim L=N×5.08+0.3
Dim B=(N-1)×5.08
Dim C=N×5.08

POLES	Tolerance
2P-6P	±0.15
7P-12P	±0.20
13P-18P	±0.25
19P-24P	±0.30

Solid block	No. of poles	Color	RoHS compliant (lead<4%) In copper Alloy
0	2	Black (RAL9005)	
02	3	Red (RAL3001/D)	
03	4	Orange(RAL2011/P)	
...	5	Yellow(RAL1018/A)	
24	6	Green(RAL6018/T)	
	8	Blue (RAL5015/A)	
	9	Grey(RAL7035/D)	
	9	White(RAL1102)	
	C	Green(RAL6018/U)	

mat'l. code		surface ASME Y14.5	tolerance ASME Y14.5	projection 	product family TERMINAL BLOCK
ltr	ecn no	dr	date	tolerances unless otherwise specified	title
				angles $X \pm 0.5$	TERMINAL BLOCK PLUGGABLE PLUG, WITHOUT FLANGE
				$X.X \pm 0.3$	
				$X^* \pm 1^*$	$X.XX \pm 0.1$
		dr	EVIN ZHONG	041814	scale
		enr	EVIN ZHONG	041814	
		chr	HANKE FENG	041814	
		appd	SHI JUN	041814	
sheet index	revision sheet	A	1		dwg no EZxx51x000J0G
					sheet 1 of 1
					size A4
					type CUSTOMER Drawing