



Chipsmall Limited consists of a professional team with an average of over 10 year of expertise in the distribution of electronic components. Based in Hongkong, we have already established firm and mutual-benefit business relationships with customers from,Europe,America and south Asia,supplying obsolete and hard-to-find components to meet their specific needs.

With the principle of “Quality Parts,Customers Priority,Honest Operation,and Considerate Service”,our business mainly focus on the distribution of electronic components. Line cards we deal with include Microchip,ALPS,ROHM,Xilinx,Pulse,ON,Everlight and Freescale. Main products comprise IC,Modules,Potentiometer,IC Socket,Relay,Connector.Our parts cover such applications as commercial,industrial, and automotives areas.

We are looking forward to setting up business relationship with you and hope to provide you with the best service and solution. Let us make a better world for our industry!



Contact us

Tel: +86-755-8981 8866 Fax: +86-755-8427 6832

Email & Skype: info@chipsmall.com Web: www.chipsmall.com

Address: A1208, Overseas Decoration Building, #122 Zhenhua RD., Futian, Shenzhen, China

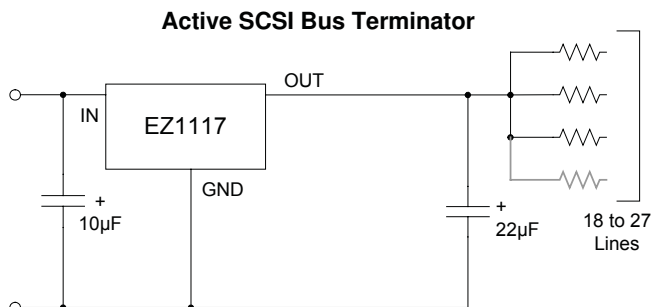
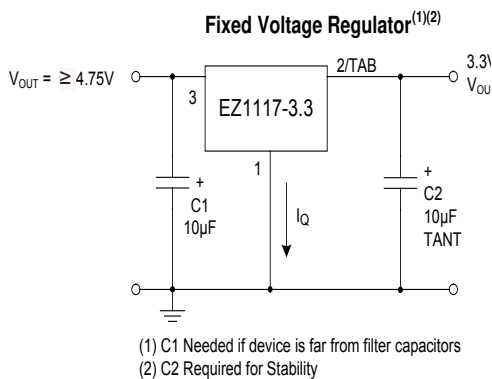
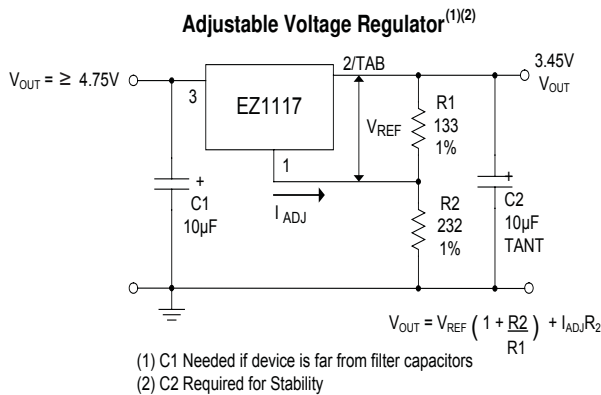


Description

The EZ1117 series of high performance positive voltage regulators are designed for use in applications requiring low dropout performance at full rated current.

Additionally, the EZ1117 series provides excellent regulation over variations in line, load and temperature. Outstanding features include low dropout performance at rated current, fast transient response, internal current limiting and thermal shutdown protection of the output device. The EZ1117 series of three terminal regulators offer fixed and adjustable voltage options available in the space saving SOT-223 and TO-263 packages.

Typical Application Circuits



Features

- ◆ Low dropout performance, 1.2V max. for EZ1117, 1.3V max. for EZ1117A
- ◆ Full current rating over line and temperature
- ◆ Fast transient Response
- ◆ ±2% total output regulation over line, load and temperature
- ◆ Adjust pin current max 90µA over temperature
- ◆ Fixed/adjustable output voltage
- ◆ Line regulation 0.2% max.
- ◆ Load regulation 0.4% max.
- ◆ SOT-223 and TO-263 packages

Applications

- ◆ Active SCSI termination
- ◆ Low voltage microcontrollers
- ◆ Switching power supply post-regulator

Ordering Information

Device ^(1,2)	Package	V _{OUT} Volts
EZ1117CST-X.X EZ1117ACST-X.X	SOT-223	See Note (1)
EZ1117CM-X.X EZ1117ACM-X.X	TO-263	See Note (1)

Notes:

- (1) Where X.X denotes voltage options. Available voltages are: 2.5V, 2.85V and 3.3V. Leave blank for adjustable version (1.3 to 5.7V). Contact factory for additional voltage options.
(2) Add suffix 'TR' for tape and reel.

Absolute Maximum Ratings

Parameter	Symbol	Max	Units
Input Supply Voltage	V_{IN}	7	V
Power Dissipation	P_D	Internally Limited	W
Thermal Resistance Junction to Case SOT-223	θ_{JC}	15	°C/W
TO-263		3	
Thermal Resistance Junction to Ambient SOT-223	θ_{JA}	156	°C/W
TO-263		60	
Operating Junction Temperature Range	T_J	0 to 125	°C
Storage Temperature Range	T_{STG}	-65 to 150	°C
Lead Temperature (Soldering) 10 Sec	T_{LEAD}	260	°C

Electrical Characteristics⁽⁶⁾

Adj. Option: $V_{IN} = 2.65V$ to $7.0V$ and Adj $I_o = 10mA$ to I_{RATED}

Fixed Options: $I_o = 0mA$ to I_{RATED}

Fixed 2.5V: $V_{IN} = 3.9V$ to $7.0V$

Fixed 2.85V: $V_{IN} = 4.25V$ to $7.0V$

Fixed 3.3V: $V_{IN} = 4.75V$ to $7.0V$

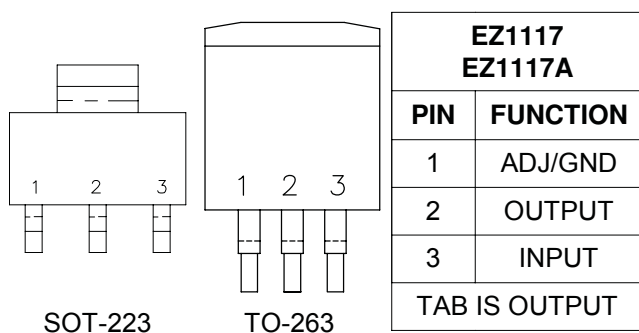
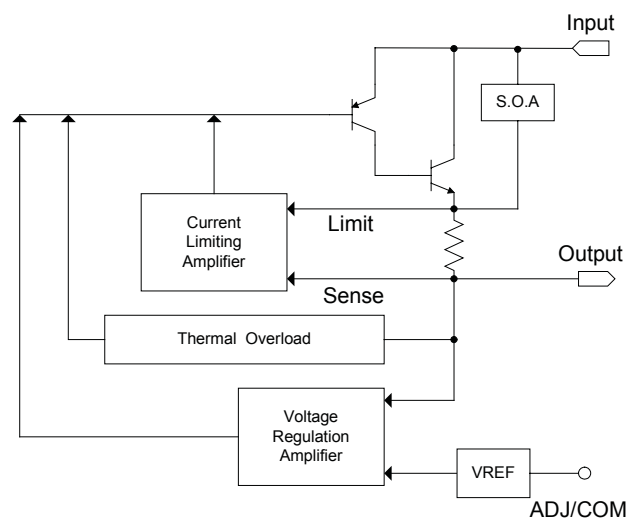
Parameter	Symbol	Test Conditions			Test Limits			
		V_{IN}	I_o	$T_J^{(5)}$	Min	Typ	Max	Units
Output Voltage ⁽¹⁾ (Fixed Voltage Versions)	V_D	5V	0mA	25°C	$0.99 V_o $	V_o	$1.01 V_o $	V
				O.T.	$0.98 V_o $	V_o	$1.02 V_o $	
Reference Voltage ⁽¹⁾ (Adj Voltage Version)	V_{REF}	5V	10mA	25°C	1.238	1.250	1.262	V
				O.T.	1.225	1.250	1.270	
Line Regulation ⁽¹⁾	$REG_{(LINE)}$		10mA	O.T.		0.035	0.2	%
Load Regulation ⁽¹⁾	$REG_{(LOAD)}$	5V		O.T.		0.2	0.4	%
Dropout Voltage ⁽²⁾ EZ1117A	V_D		100mA	O.T.		1.00	1.10	V
			500mA			1.05	1.15	
			800mA			1.10	1.20	
			1,000mA			1.10	1.30	
Current Limit EZ1117 EZ1117A	I_{CL}			O.T.	0.8			A
						1.0		

Electrical Characteristics (Cont.)

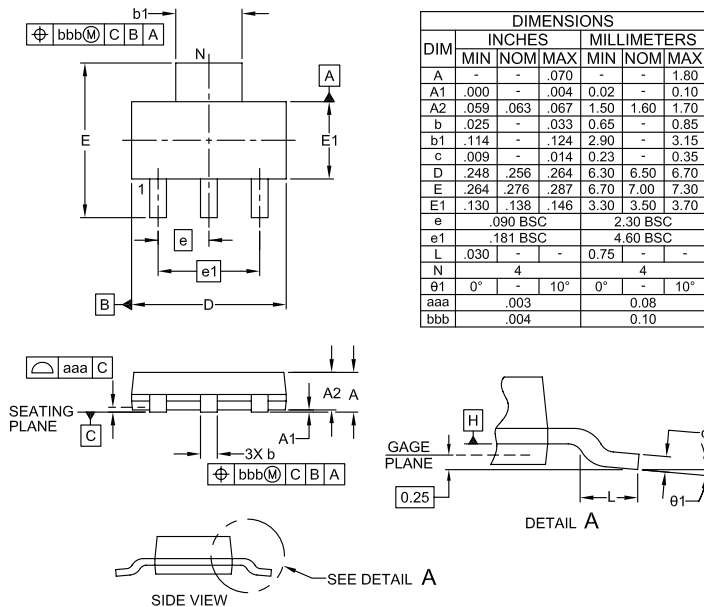
Parameter	Symbol	Test Conditions			Test Limits			
		V _{IN}	I _O	T _J ⁽⁵⁾	Min	Typ	Max	Units
Quiescent Current Fixed Voltage Version	I _Q	5V		O.T.		10	13	mA
Temperature Coefficient	T _C			O.T.		0.005		%/°C
Adjust Pin Current	I _{ADJ}			O.T.		55	90	μA
Adjust Pin Current Change	ΔI _{ADJ}			O.T.		0.2	5	μA
Temperature Stability	T _S			O.T.		0.5		%
Minimum Load Current Adj Voltage Version	I _O	5V		O.T.		5	10	mA
RMS Output Noise ⁽³⁾	V _N			25°C		0.003		%V _O
Ripple Rejection Ratio ⁽⁴⁾	R _A	5V		O.T.	60	72		dB

NOTES:

- (1) Low duty cycle pulse testing with Kelvin connections required.
- (2) $\Delta V_{OUT} / \Delta V_{REF} = 1\%$.
- (3) Bandwidth of 10Hz to 10kHz.
- (4) 120Hz input ripple (C_{ADJ} for ADJ = 25μF).
- (5) O.T. = over specified operating junction temperature range.
- (6) I_{RATED} = 1A for EZ1117A and 800mA for EZ1117.

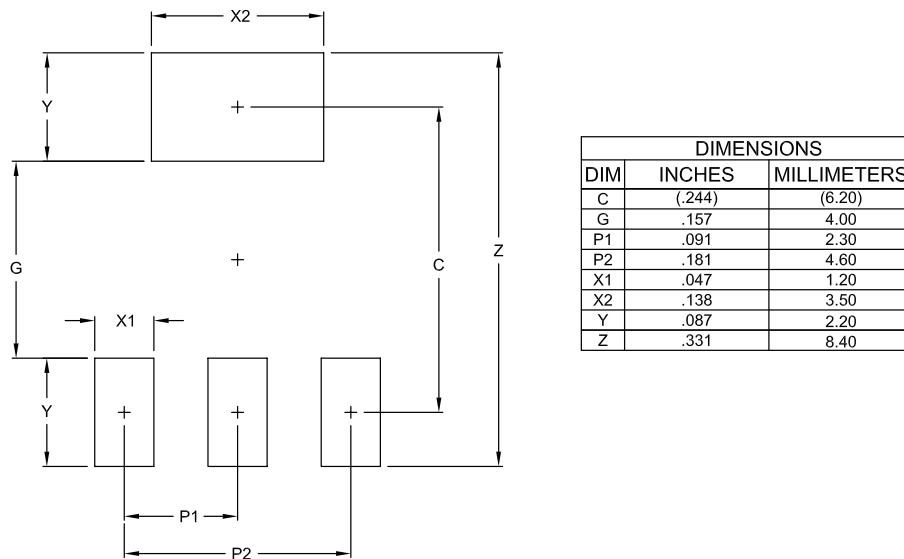
Pin Configurations

Block Diagram


Outline Drawing - SOT-223



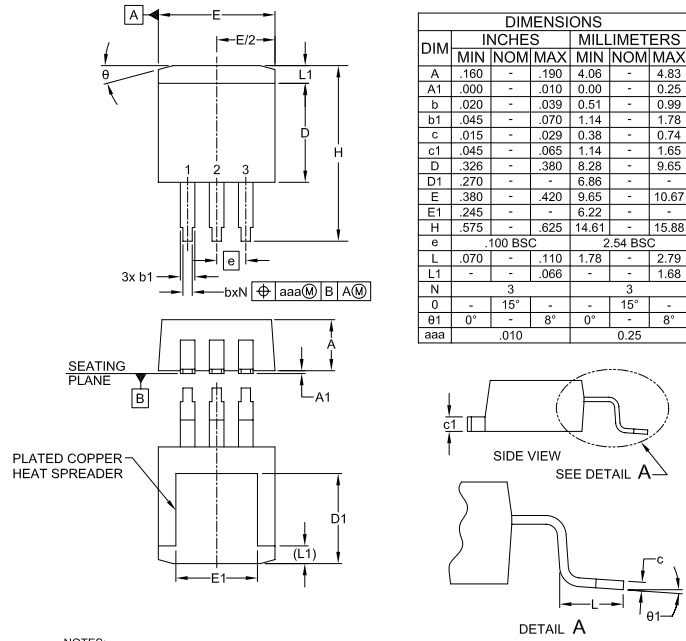
- NOTES:
1. CONTROLLING DIMENSIONS ARE IN MILLIMETERS (ANGLES IN DEGREES).
 2. DATUMS [-A] AND [-B] TO BE DETERMINED AT DATUM PLANE [-H].
 3. DIMENSIONS "E1" AND "D" DO NOT INCLUDE MOLD FLASH, PROTRUSIONS OR GATE BURRS.
 4. REFERENCE JEDEC STD TO-261, VARIATION AA.

Land Pattern - SOT-223



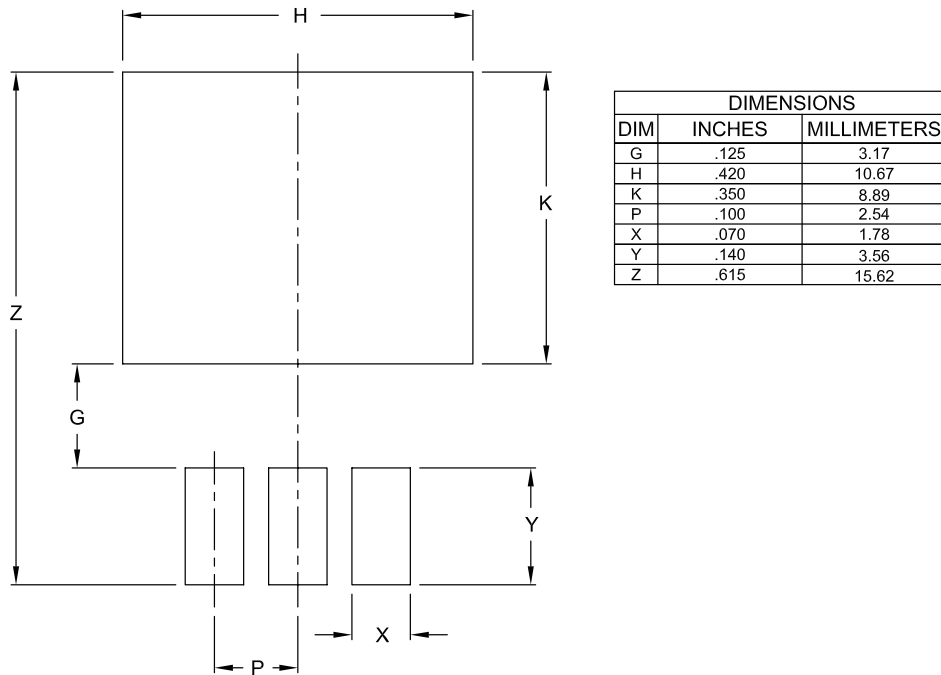
- NOTES:
1. THIS LAND PATTERN IS FOR REFERENCE PURPOSES ONLY CONSULT YOUR MANUFACTURING GROUP TO ENSURE YOUR COMPANY'S MANUFACTURING GUIDELINES ARE MET.
 2. REFERENCE IPC-SM-782A.

Outline Drawing - TO-263



- NOTES:
1. CONTROLLING DIMENSIONS ARE IN INCHES (ANGLES IN DEGREES).
 2. DIMENSIONS "D" AND "E" DO NOT INCLUDE MOLD FLASH, PROTRUSIONS OR GATE BURRS.

Land Pattern - TO-263



- NOTES:
1. THIS LAND PATTERN IS FOR REFERENCE PURPOSES ONLY CONSULT YOUR MANUFACTURING GROUP TO ENSURE YOUR COMPANY'S MANUFACTURING GUIDELINES ARE MET.

Contact Information

Semtech Corporation
Power Management Products Division
200 Flynn Road, Camarillo, CA 93012
Phone: (805) 498-2111 Fax: (805) 498-3804

www.semtech.com