



Chipsmall Limited consists of a professional team with an average of over 10 year of expertise in the distribution of electronic components. Based in Hongkong, we have already established firm and mutual-benefit business relationships with customers from,Europe,America and south Asia,supplying obsolete and hard-to-find components to meet their specific needs.

With the principle of “Quality Parts,Customers Priority,Honest Operation,and Considerate Service”,our business mainly focus on the distribution of electronic components. Line cards we deal with include Microchip,ALPS,ROHM,Xilinx,Pulse,ON,Everlight and Freescale. Main products comprise IC,Modules,Potentiometer,IC Socket,Relay,Connector.Our parts cover such applications as commercial,industrial, and automotives areas.

We are looking forward to setting up business relationship with you and hope to provide you with the best service and solution. Let us make a better world for our industry!



Contact us

Tel: +86-755-8981 8866 Fax: +86-755-8427 6832

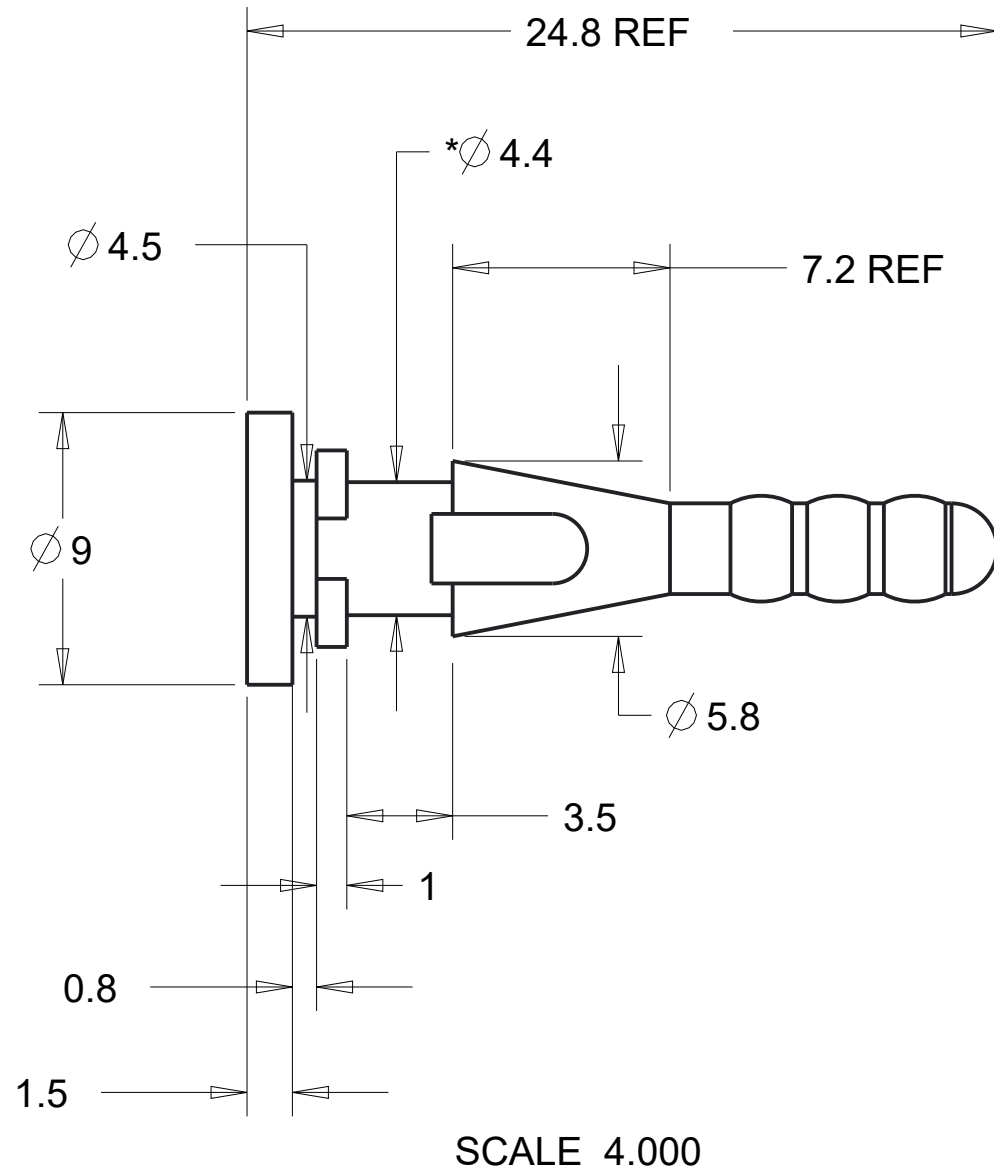
Email & Skype: info@chipsmall.com Web: www.chipsmall.com

Address: A1208, Overseas Decoration Building, #122 Zhenhua RD., Futian, Shenzhen, China

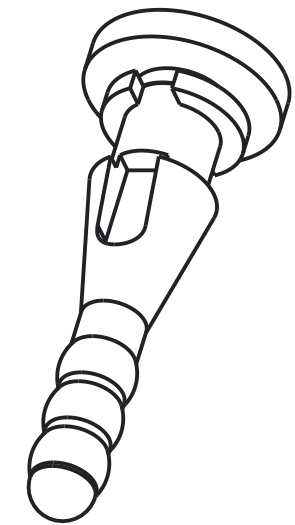




*=CRITICAL DIMENSION



REVISIONS				
DRAWN	REV	DESCRIPTION	DATE	APPROVED
PAM	1	ORIGINAL	02/28/18	MS



SCALE 3.000

SEE MATERIAL AND TOLERANCE TABLE ON PAGE 2		AEARO TECHNOLOGIES LLC * a 3M company		
	QUALITY CONTROL: MUST COMPLY WITH AEARO TECHNOLOGIES LLC SUPPLIER QUALITY MANUAL REQUIREMENTS	TITLE FAN MOUNT		
	NOTES: ANY FEATURE NOT DIMENSIONED IN PRINT MUST BE VISIBLY PRESENT, UTILIZE 3D CAD FOR CREATION	SIZE B	ITEM CODE	DWG NO. F-339
CALC WT				



PART NUMBER	MATERIAL	COLOR
X-XXX-1	C-1002	BLUE
X-XXX-2	C-1105	TURQUOISE
X-XXX-3	C-1100	YELLOW
X-XXX-4	C-1130	GREY
X-XXX-C8002	C-8002	SKY BLUE
X-XXX-C8012	C-8012	BLACK
X-XXX-C8070	C-8070	BLACK
X-XXX-C8130	C-8130	BLACK
X-XXX-C6040	C-6040	BLACK
X-XXX-C6050	C-6050	BLACK
X-XXX-C6060	C-6060	BLACK
X-XXX-SL20300	SL-20300	BLACK
X-XXX-SL35300	SL-35300	BLACK
X-XXX-SL50300	SL-50300	BLACK
X-XXX-SL60300	SL-60300	BLACK
X-XXX-V2325	V-2325	BLACK
X-XXX-V2350	V-2350	BLACK
X-XXX-V2375	V-2375	BLACK
X-XXX-V2525	V-2525	BLACK
X-XXX-V2550	V-2550	BLACK
X-XXX-V2575	V-2575	BLACK
X-XXX-V2590	V-2590	BLACK
X-XXX-V2599	V-2599	NATURAL
X-XXX-V2725	V-2725	BLACK
X-XXX-V2750	V-2750	BLACK
X-XXX-V2775	V-2775	BLACK

C-1XXX,C-8XXX
C-6XXX,V-XXXXX

RANGE	TOL
0<DIM<2	± 0.15
2<=DIM<25	± 0.25
25<=DIM<50	± 0.4
50<=DIM	± 0.6

DRAFT ANGLE	± 1°
FLASH	± 0.12
GATE	± 0.15
PARTING LINE	± 0.10

C-8070,C-8130

RANGE	TOL
0<DIM<2	± 0.10
2<=DIM<25	± 0.20
25<=DIM<50	± 0.30
50<=DIM	± 0.40

DRAFT ANGLE	± 1°
FLASH	± 0.10
GATE	± 0.20
PARTING LINE	± 0.10

SL-XXXXX

RANGE	TOL
0<DIM<10	± 0.10
10<=DIM<20	± 0.20
20<=DIM<50	± 0.30
50<=DIM<80	± 0.40
80<=DIM	± 0.5%

DRAFT ANGLE	± 1°
FLASH	± 0.30
PARTING LINE	± 0.10

UNLESS OTHERWISE SPECIFIED UNITS ARE: MM	MATERIAL:	AEARO TECHNOLOGIES LLC * a 3M company		
	QUALITY CONTROL: MUST COMPLY WITH AEARO TECHONLGIES LLC SUPPLIER QUALITY MANUAL REQUIREMENTS	TITLE		
CALC WT	NOTES: ANY FEATURE NOT DIMENSIONED IN PRINT MUST BE VISIBLY PRESENT, UTILIZE 3D CAD FOR CREATION	SIZE B	ITEM CODE	DWG NO.