



Chipsmall Limited consists of a professional team with an average of over 10 year of expertise in the distribution of electronic components. Based in Hongkong, we have already established firm and mutual-benefit business relationships with customers from,Europe,America and south Asia,supplying obsolete and hard-to-find components to meet their specific needs.

With the principle of “Quality Parts,Customers Priority,Honest Operation,and Considerate Service”,our business mainly focus on the distribution of electronic components. Line cards we deal with include Microchip,ALPS,ROHM,Xilinx,Pulse,ON,Everlight and Freescale. Main products comprise IC,Modules,Potentiometer,IC Socket,Relay,Connector.Our parts cover such applications as commercial,industrial, and automotives areas.

We are looking forward to setting up business relationship with you and hope to provide you with the best service and solution. Let us make a better world for our industry!



## Contact us

Tel: +86-755-8981 8866 Fax: +86-755-8427 6832

Email & Skype: info@chipsmall.com Web: www.chipsmall.com

Address: A1208, Overseas Decoration Building, #122 Zhenhua RD., Futian, Shenzhen, China



1

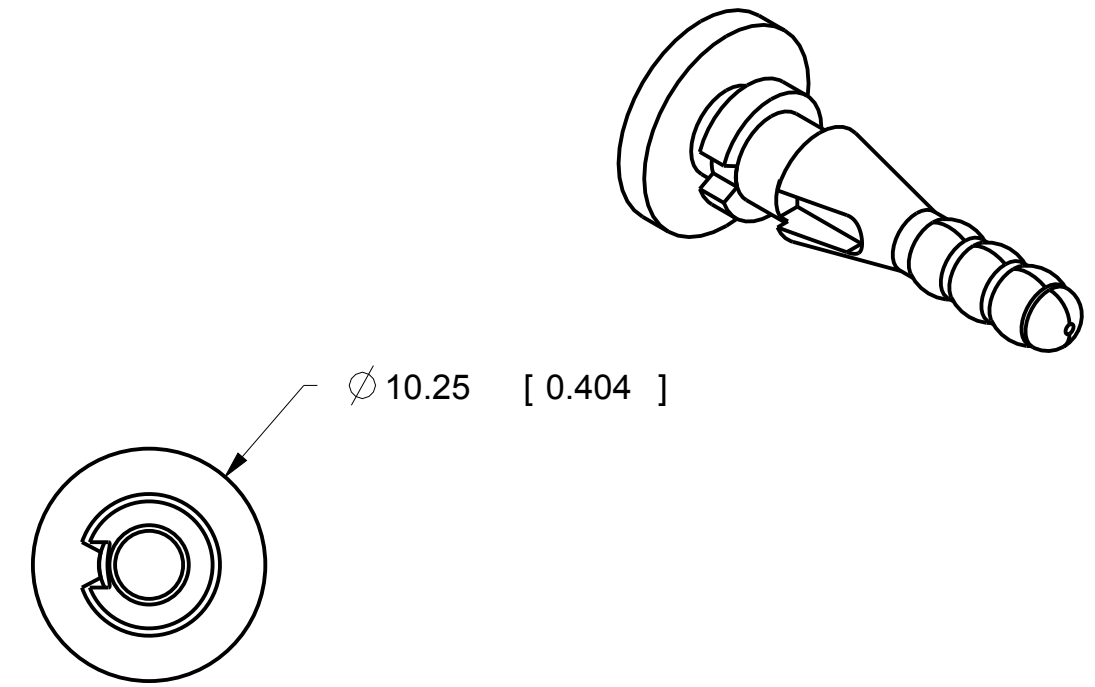
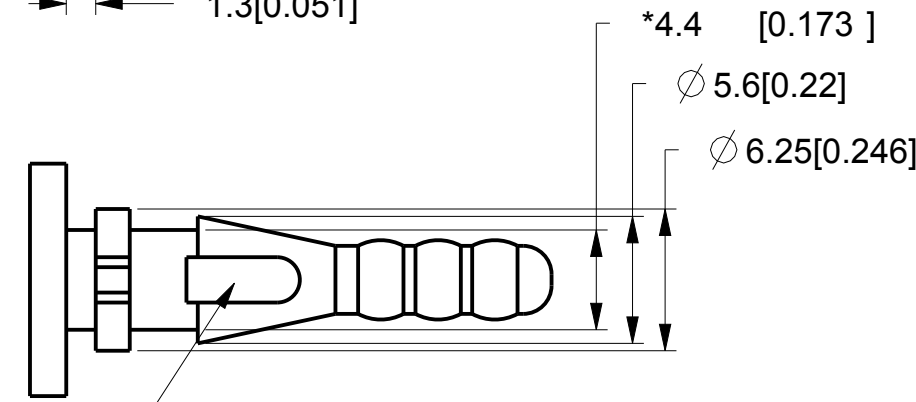
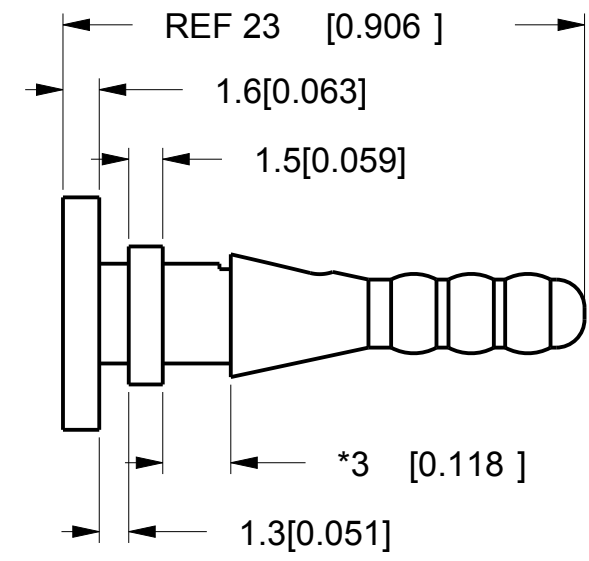
2

3

4

GROMMET MATERIAL	SEE PAGE
VERSADAMP	1
ISODAMP	1
ISOLOSS	2

REVISIONS				
DRAWN	REV	DESCRIPTION	DATE	APPROVED
BCC	00	ORIGINAL	12/4/03	JS
TC	01	UPDATED FORMAT AND CONSOLIDATED MATERIALS	6-24-10	JS
KP/TC	02	UPDATED FORMAT, NOTES, TOLERANCES, ADDED WEIGHT, CAVITY LOCATION, MISSING DIMS AND -X TO NAMING CONVENTION.	9-8-11	MS



CAVITY #

F-344-C8012	C-8012
F-344-C8002	C-8002
F-344-C8001	C-8001
F-344-V2790	V-2790
F-344-V2775	V-2775
F-344-V2750	V-2750
F-344-V2590	V-2590
F-344-V2575	V-2575
F-344-V2550	V-2550
F-344-V2525	V-2525
F-344-V2375	V-2375
F-344-V2350	V-2350
F-344-V2325	V-2325
F-344-3	C-1100
F-344-2	C-1105
F-344-1	C-1002
PART NUMBER	MATERIAL

- 5. FOR ISOLOSS MATERIAL, USE THE TOLERANCE TABLE ON PAGE 2.
- 4. FOR VERSADAMP AND ISODAMP MATERIAL, USE THE TOLERANCE TABLE ON PAGE 1.
- 3. MAX DRAFT: 2°
- 2. CRITICAL DIMENSIONS SHALL HAVE Cpk VALUE >= 1.33 WITH ONGOING SPC DATA REQUIRED.
- 1. CRITICAL DIMENSIONS ARE MARKED WITH "\*\*".

NOTES:

DIM RANGE	VERSADAMP & ISODAMP TOL	UNLESS OTHERWISE SPECIFIED UNITS ARE: MM [IN] TOLERANCE FOR ANGLES: ±0.0°	MATERIAL: SEE TABLE ON LEFT	E-A-R SPECIALTY COMPOSITES		
		ALLOWABLE FLASH: .12 MM [.005]	QUALITY CONTROL: MUST COMPLY WITH E-A-R SPECIALTY COMPOSITES SUPPLIER QUALITY MANUAL REQUIREMENTS	TITLE FAN MOUNT		
		GATE: ±.15MM [.006]	NOTES: ANY FEATURE NOT DIMENSIONED IN PRINT MUST BE VISIBLY PRESENT, UTILIZE 3D CAD FOR CREATION	SIZE B	DRAWING NO. F-344-X	PAGE NO. 1 OF 2
		CALC WEIGHT: 0.51 GRAM REF				

1

2

3

4

D

D

C

C

B

B

A

A

1

2

3

4

REVISIONS

D

D

C

C

B

B

A

A

				UNLESS OTHERWISE SPECIFIED UNITS ARE: MM [IN] TOLERANCE FOR ANGLES: $\pm 0.0^\circ$	MATERIAL: <b>SEE TABLE ON LEFT</b>	E-A-R SPECIALTY COMPOSITES		
F-344-SL60300	SL-60300	DIM RANGE	ISOLOSS TOL		ALLOWABLE FLASH: .3 MM [.012]	QUALITY CONTROL: MUST COMPLY WITH E-A-R SPECIALTY COMPOSITES SUPPLIER QUALITY MANUAL REQUIREMENTS	TITLE <b>FAN MOUNT</b>	
F-344-SL50300	SL-50300	0<DIM<=10[.394]	$\pm 0.15$ [.006]	GATE:		NOTES: ANY FEATURE NOT DIMENSIONED IN PRINT MUST BE VISIBLY PRESENT, UTILIZE 3D CAD FOR CREATION	SIZE	DRAWING NO.
F-344-SL35300	SL-35300	10[.394]<DIM<=20[.787]	$\pm 0.2$ [.008]	CALC WEIGHT: 0.51 GRAM REF	<b>B</b>		<b>F-344-X</b>	<b>2 OF 2</b>
F-344-SL20300	SL-20300	20[.787]<DIM<=50[1.969]	$\pm 0.25$ [.010]					
PART NUMBER	MATERIAL	50[1.969]<DIM<=80[3.150]	$\pm 0.35$ [.014]					
		80[3.150]<DIM	$\pm .5\%$					

1

2

3

4