



Chipsmall Limited consists of a professional team with an average of over 10 year of expertise in the distribution of electronic components. Based in Hongkong, we have already established firm and mutual-benefit business relationships with customers from,Europe,America and south Asia,supplying obsolete and hard-to-find components to meet their specific needs.

With the principle of "Quality Parts,Customers Priority,Honest Operation,and Considerate Service",our business mainly focus on the distribution of electronic components. Line cards we deal with include Microchip,ALPS,ROHM,Xilinx,Pulse,ON,Everlight and Freescale. Main products comprise IC,Modules,Potentiometer,IC Socket,Relay,Connector.Our parts cover such applications as commercial,industrial, and automotives areas.

We are looking forward to setting up business relationship with you and hope to provide you with the best service and solution. Let us make a better world for our industry!



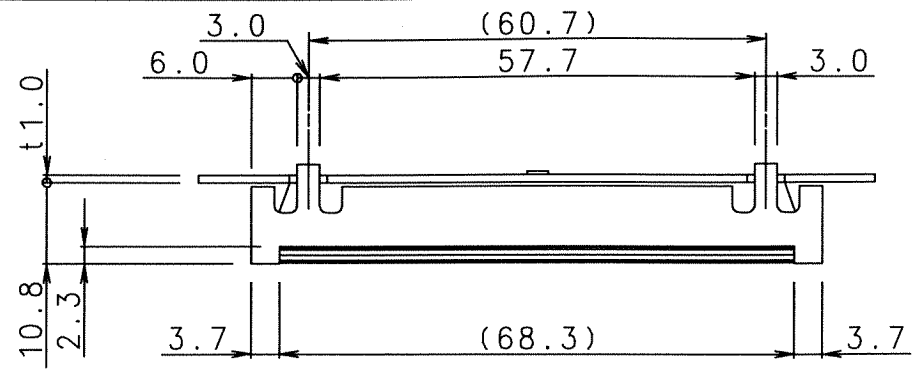
Contact us

Tel: +86-755-8981 8866 Fax: +86-755-8427 6832

Email & Skype: info@chipsmall.com Web: www.chipsmall.com

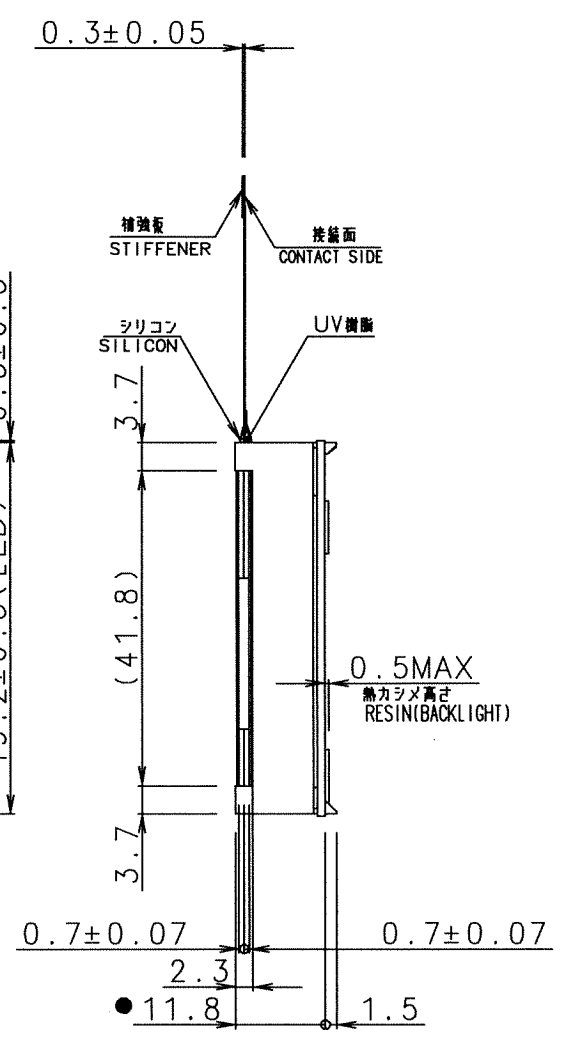
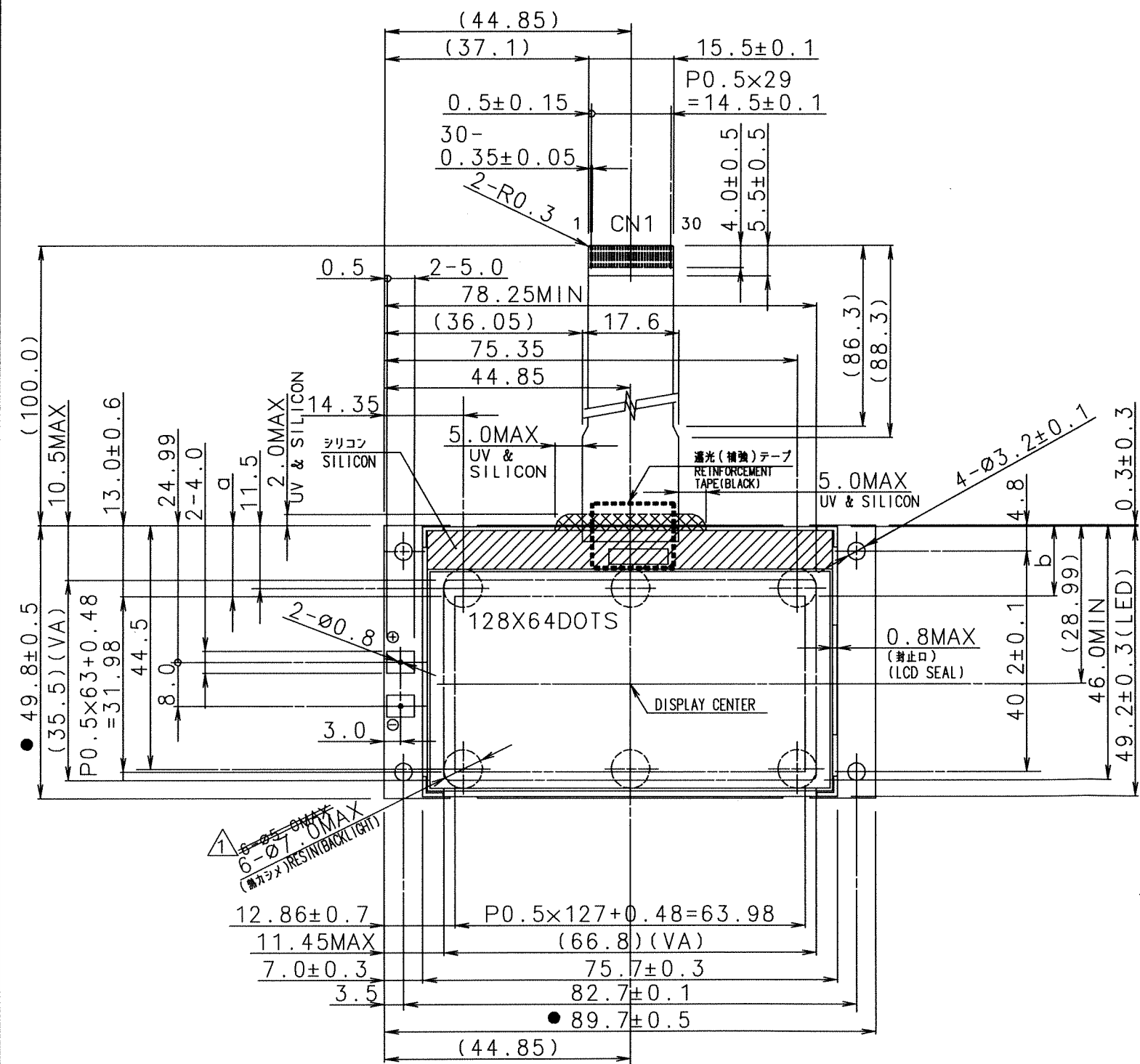
Address: A1208, Overseas Decoration Building, #122 Zhenhua RD., Futian, Shenzhen, China



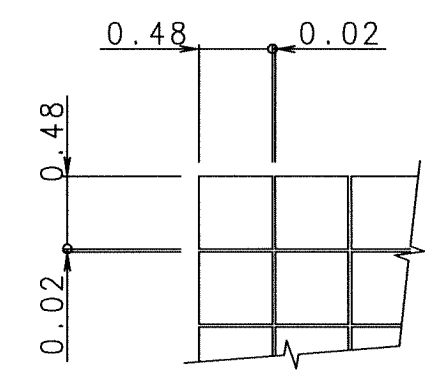


CN1 PIN ASSIGNMENT

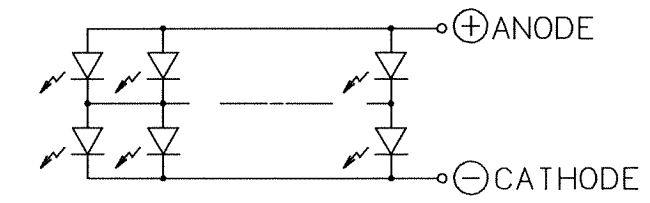
No.	SYMBOL	No.	SYMBOL	No.	SYMBOL
1	NC	11	D4	21	CAP2 ⁻
2	CS1	12	D5	22	CAP2 ⁺
3	RES	13	D6	23	V1
4	A0	14	D7	24	V2
5	WR	15	V _{DD}	25	V3
6	RD	16	GND	26	V4
7	D0	17	V _{OUT}	27	V5
8	D1	18	CAP3 ⁻	28	VR
9	D2	19	CAP1 ⁺	29	C86
10	D3	20	CAP1 ⁻	30	IRS



DOTS DETAIL (20:1)



28 CHIPS (2X14)



注記
 NOTE 1. 表示傾き: |a-b| ≤ 0.5 (Display skew)
 2. ●印の付いた寸法, 仕様は管理特性の指示を示す。
 THE DIMENSIONS WITH THE MARK (●) ARE CONTROLLED AS A PARTICULAR CHARACTERISTIC.

TOLERANCE			THIRD ANGLE PROJECTION	DATE	OPTREX CORPORATION
MEASURE	A	B		C	
L ≤ 16	±0.1	±0.3	±1	UNIT	TITLE
16 < L ≤ 63	±0.2	±0.5	±1.5	mm	APPROVED S.Matsuoka
63 < L ≤ 250	±0.3	±0.8	±2	SCALE	CHECKED M.Kinoshita
250 < L ≤ 500	±0.5	±1.2	±3	1:1	DRAWN K.MURAKAMI
500 < L	±0.8	±2	±4		
ANGLE	±1°	±5°	±10°		