



Chipsmall Limited consists of a professional team with an average of over 10 year of expertise in the distribution of electronic components. Based in Hongkong, we have already established firm and mutual-benefit business relationships with customers from,Europe,America and south Asia,supplying obsolete and hard-to-find components to meet their specific needs.

With the principle of “Quality Parts,Customers Priority,Honest Operation,and Considerate Service”,our business mainly focus on the distribution of electronic components. Line cards we deal with include Microchip,ALPS,ROHM,Xilinx,Pulse,ON,Everlight and Freescale. Main products comprise IC,Modules,Potentiometer,IC Socket,Relay,Connector.Our parts cover such applications as commercial,industrial, and automotives areas.

We are looking forward to setting up business relationship with you and hope to provide you with the best service and solution. Let us make a better world for our industry!



Contact us

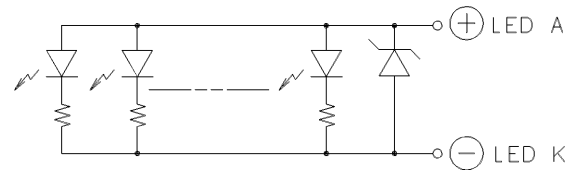
Tel: +86-755-8981 8866 Fax: +86-755-8427 6832

Email & Skype: info@chipsmall.com Web: www.chipsmall.com

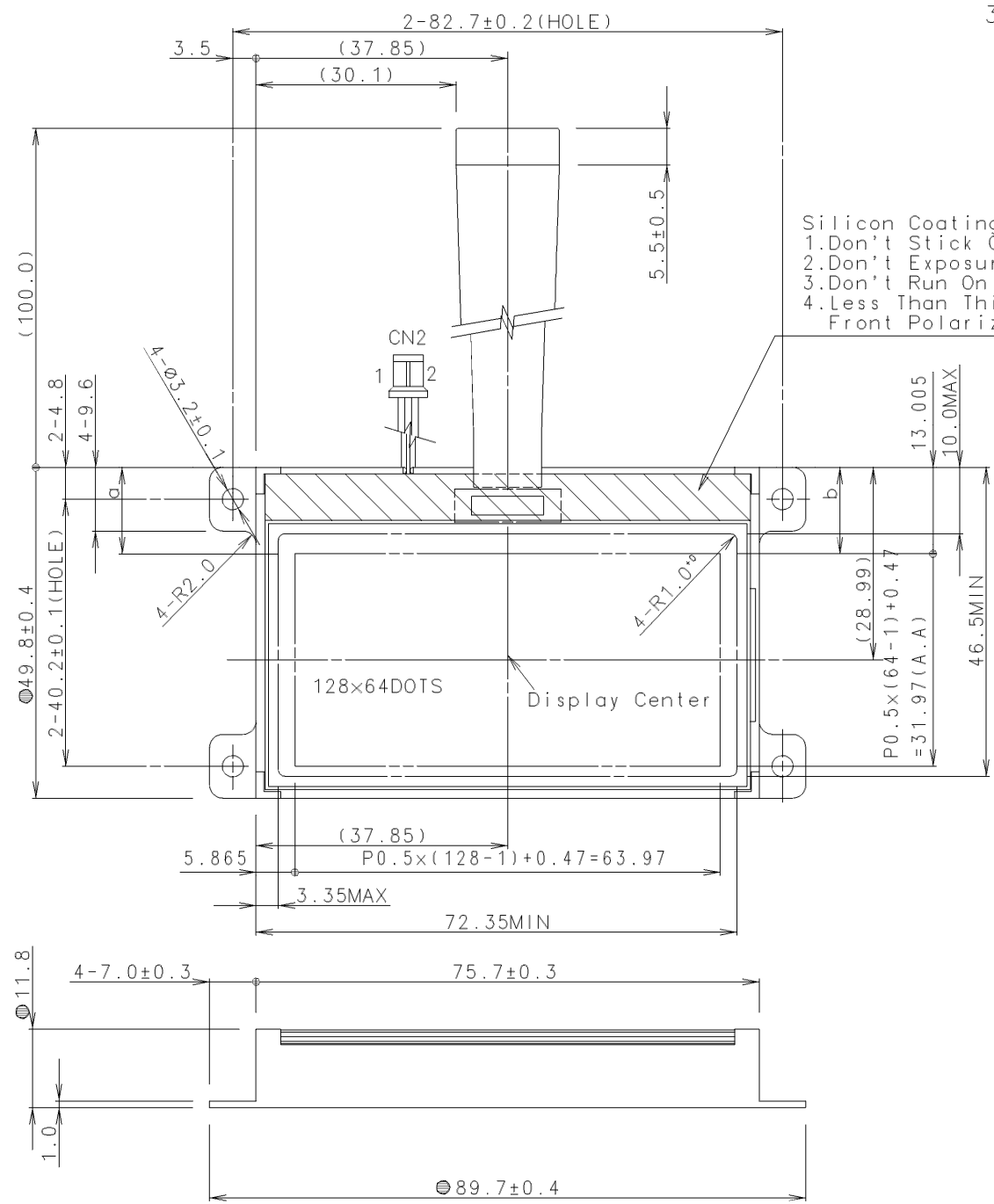
Address: A1208, Overseas Decoration Building, #122 Zhenhua RD., Futian, Shenzhen, China



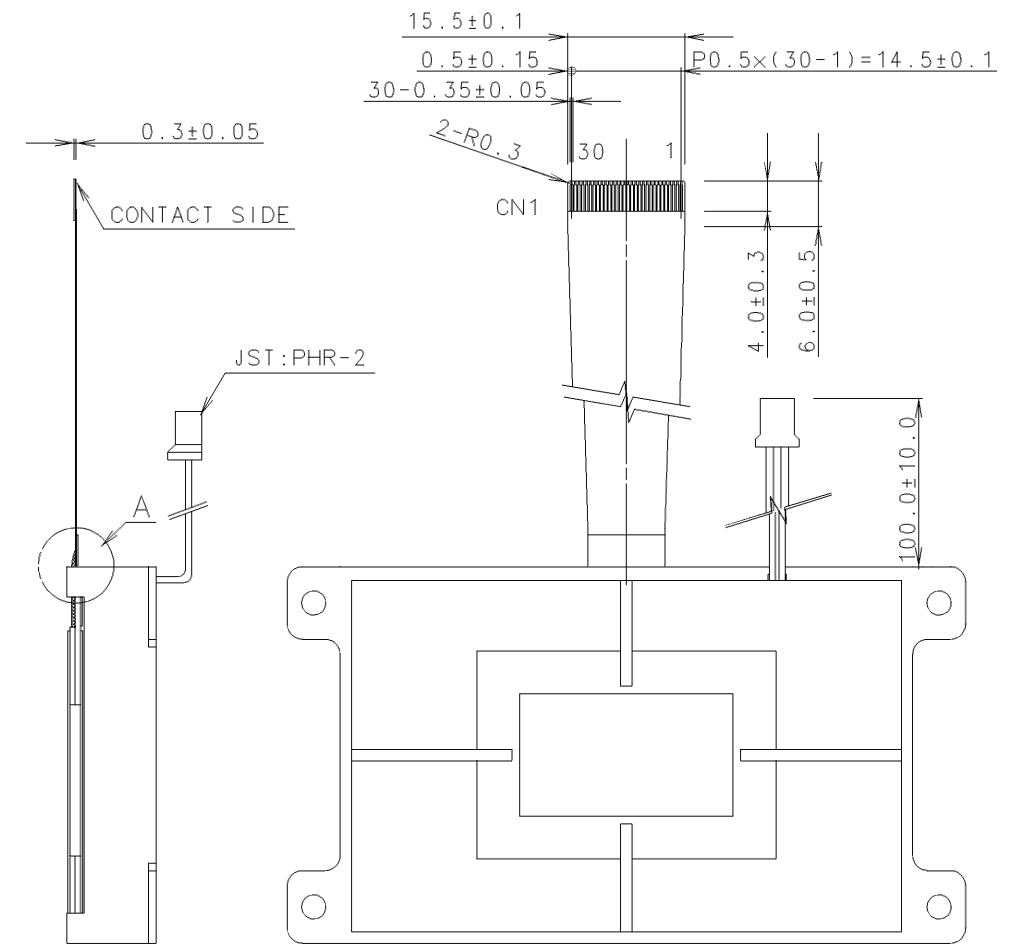
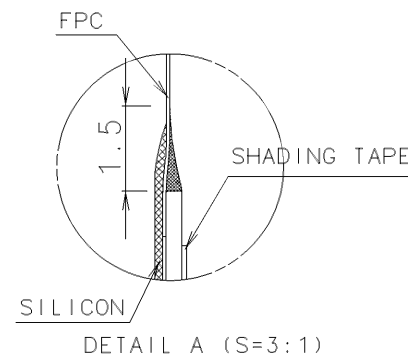
CIRCUIT DIAGRAM



QTY of LED chips
 351852AA/AC : 4chips
 351852AB : 7chips
 351852AG : 12chips



Silicon Coating Area
 1. Don't Stick Out Of Glass.
 2. Don't Exposure ITO.
 3. Don't Run On Front Polarizer.
 4. Less Than Thickness Of Front Polarizer.



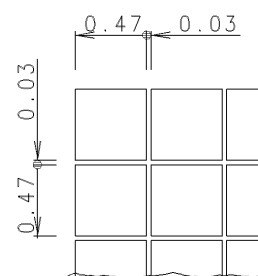
CN1 PIN ASSIGNMENT

No.	SYMBOL	No.	SYMBOL	No.	SYMBOL
1	CS1	11	D5	21	C2+
2	RES	12	D6	22	V1
3	A0	13	D7	23	V2
4	WR	14	VDD	24	V3
5	RD	15	VSS	25	V4
6	D0	16	VOUT	26	V5
7	D1	17	C3-	27	VR
8	D2	18	C1+	28	C86
9	D3	19	C1-	29	P/S
10	D4	20	C2-	30	NC

PIN No.	SYMBOL
1	LED A
2	LED K

NOTES

1. Display Skew |a-b| ≤ 0.5
2. Do not use materials which are prohibited by RoHS.
3. The dimensions with the mark (●) are controlled as a particular characteristic.



DOT DETAIL (S=20:1)

TOLERANCE			THIRD ANGLE PROJECTION	DATE Feb. 25 '05	OPTREX CORPORATION
MEASURE	A	B			
L ≤ 16	±0.1	±0.3	±1	UNIT	APPROVED M. MOTOHASHI
16 < L ≤ 63	±0.2	±0.5	±1.5	mm	CHECKED T. SUZUKI
63 < L ≤ 250	±0.3	±0.8	±2	SCALE 1:1	DRAWN ERASA. TANG
250 < L ≤ 500	±0.5	±1.2	±3		
500 < L	±0.8	±2	±4		
ANGLE	±1°	±5°	±10°		

TITLE	OPTREX CORPORATION
CODE	DIMENSIONAL OUTLINE
DWG NO	F-51852AA base
	UE-312339