



Chipsmall Limited consists of a professional team with an average of over 10 year of expertise in the distribution of electronic components. Based in Hongkong, we have already established firm and mutual-benefit business relationships with customers from,Europe,America and south Asia,supplying obsolete and hard-to-find components to meet their specific needs.

With the principle of “Quality Parts,Customers Priority,Honest Operation,and Considerate Service”,our business mainly focus on the distribution of electronic components. Line cards we deal with include Microchip,ALPS,ROHM,Xilinx,Pulse,ON,Everlight and Freescale. Main products comprise IC,Modules,Potentiometer,IC Socket,Relay,Connector.Our parts cover such applications as commercial,industrial, and automotives areas.

We are looking forward to setting up business relationship with you and hope to provide you with the best service and solution. Let us make a better world for our industry!



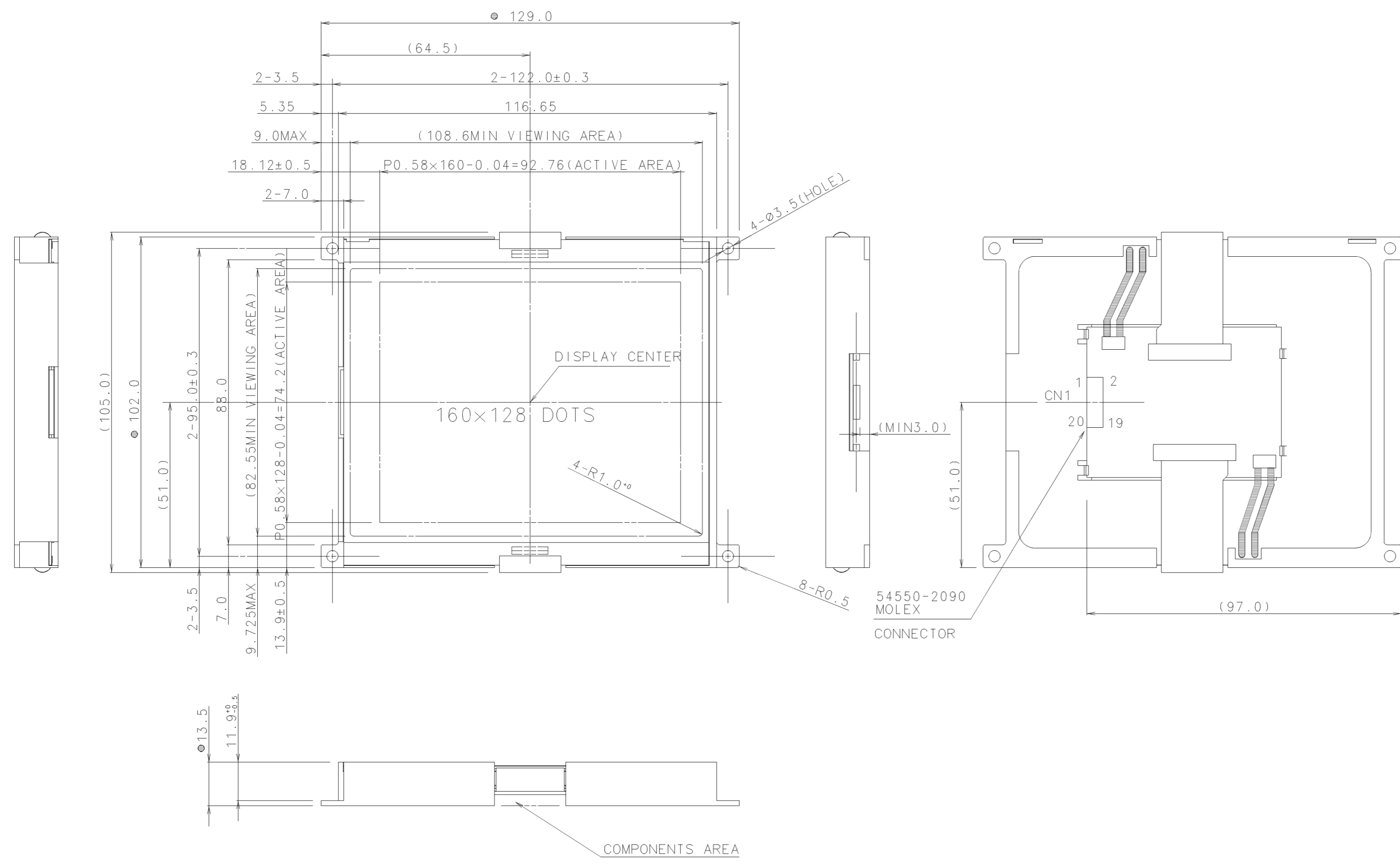
Contact us

Tel: +86-755-8981 8866 Fax: +86-755-8427 6832

Email & Skype: info@chipsmall.com Web: www.chipsmall.com

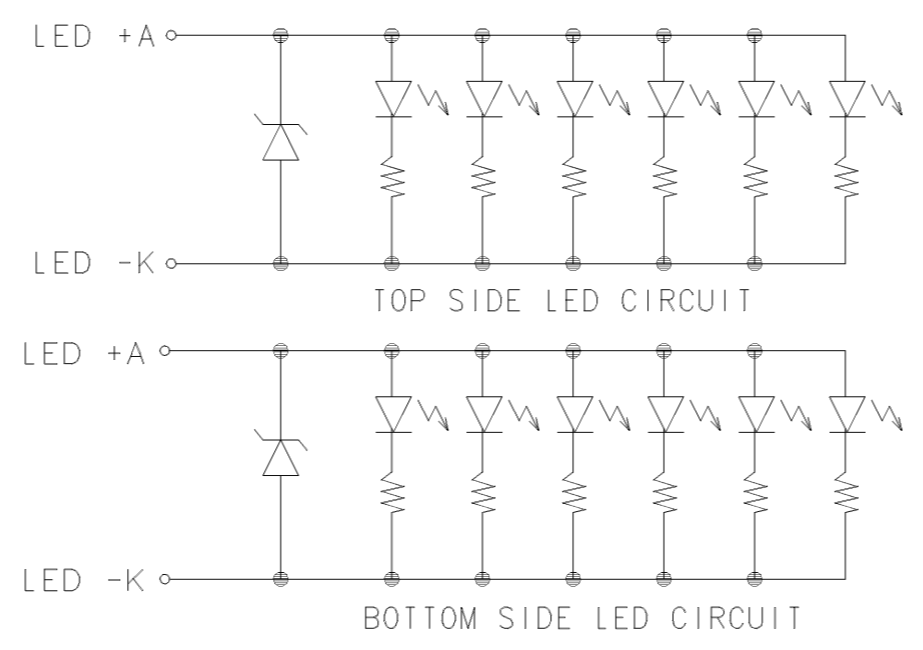
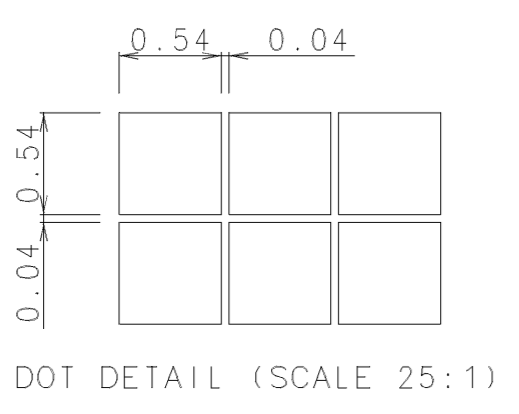
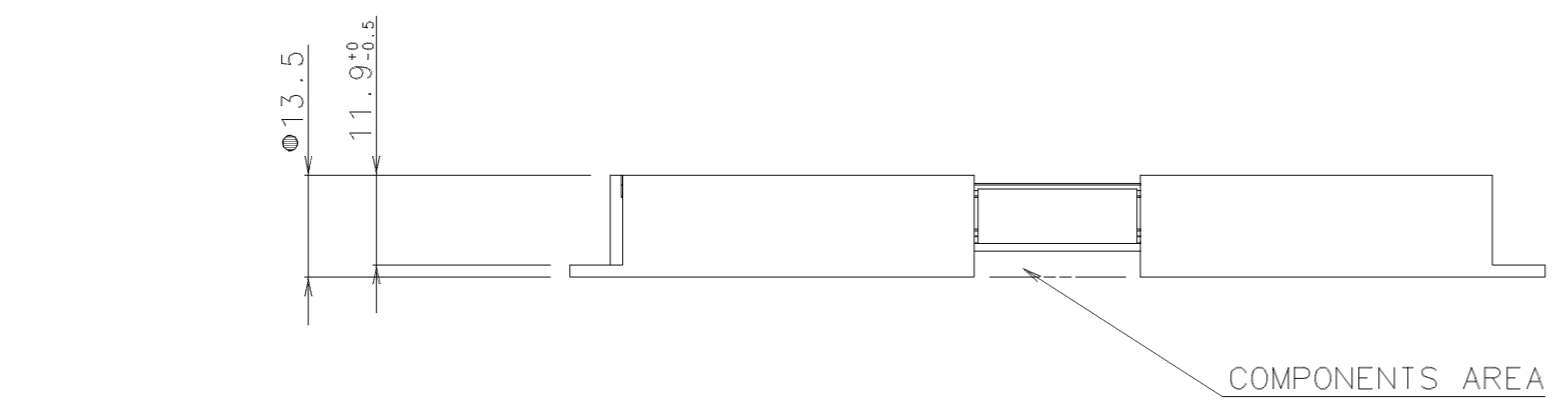
Address: A1208, Overseas Decoration Building, #122 Zhenhua RD., Futian, Shenzhen, China





PIN ASSIGNMENT

CN1	
PIN NO.	SYMBOL
1	CS1
2	CS2
3	RES
4	A0
5	WR(R/W)
6	RD(E)
7	D0
8	D1
9	D2
10	D3
11	D4
12	D5
13	D6
14	D7
15	VSS
16	VDD
17	VOUT
18	V3
19	LED +A
20	LED -K



NOTES:

1. Do not use materials which are prohibited by RoHS.
2. The dimensions with the mark (•) are controlled as a particular characteristic.

TOLERANCE			THIRD ANGLE PROJECTION	DATE Feb.28'05	OPTREX CORPORATION
MEASURE	A	ⓑ			
L≤16	±0.1	±0.3	±1	UNIT	APPROVED M.MOTOHASHI
16<L≤63	±0.2	±0.5	±1.5	mm	TITLE DIMENSIONAL OUTLINE
63<L≤250	±0.3	±0.8	±2	SCALE	CHECKED T.SUZUKI
250<L≤500	±0.5	±1.2	±3	1:1	CODE F-51854AB base
500<L	±0.8	±2	±4	DRAWN	DWG NO UE-211023
ANGLE	±1°	±5°	±10°	X.Hawk	