



Chipsmall Limited consists of a professional team with an average of over 10 year of expertise in the distribution of electronic components. Based in Hongkong, we have already established firm and mutual-benefit business relationships with customers from,Europe,America and south Asia,supplying obsolete and hard-to-find components to meet their specific needs.

With the principle of “Quality Parts,Customers Priority,Honest Operation,and Considerate Service”,our business mainly focus on the distribution of electronic components. Line cards we deal with include Microchip,ALPS,ROHM,Xilinx,Pulse,ON,Everlight and Freescale. Main products comprise IC,Modules,Potentiometer,IC Socket,Relay,Connector.Our parts cover such applications as commercial,industrial, and automotives areas.

We are looking forward to setting up business relationship with you and hope to provide you with the best service and solution. Let us make a better world for our industry!



## Contact us

Tel: +86-755-8981 8866 Fax: +86-755-8427 6832

Email & Skype: info@chipsmall.com Web: www.chipsmall.com

Address: A1208, Overseas Decoration Building, #122 Zhenhua RD., Futian, Shenzhen, China





# Pontiac Coil

2110 Queensway Searcy, AR 72143

Phone 501-268-6877 Website: www.pontiaccoil.com

## Model L-15 DC Solenoid Tubular, Pull Type

**Pontiac Coil - Arkansas is an ISO 9001:2000 Certified Company**

\*Resistance values are  $\pm 10\%$  at 25°C

Model Code	Part No.	Voltage	Duty Cycle	Power (W)	Resistance ( $\Omega$ )*	Current (A)
L-15PL012D-C-2	F0491A	12VDC	Continuous	14	10.0	1.2
L-15PL012D-I-2	F0492A	12VDC	Intermittent	60	2.2	5.5
L-15PL024D-C-2	F0493A	24VDC	Continuous	14	41.0	0.6
L-15PL024D-I-2	F0494A	24VDC	Intermittent	60	10.0	2.4

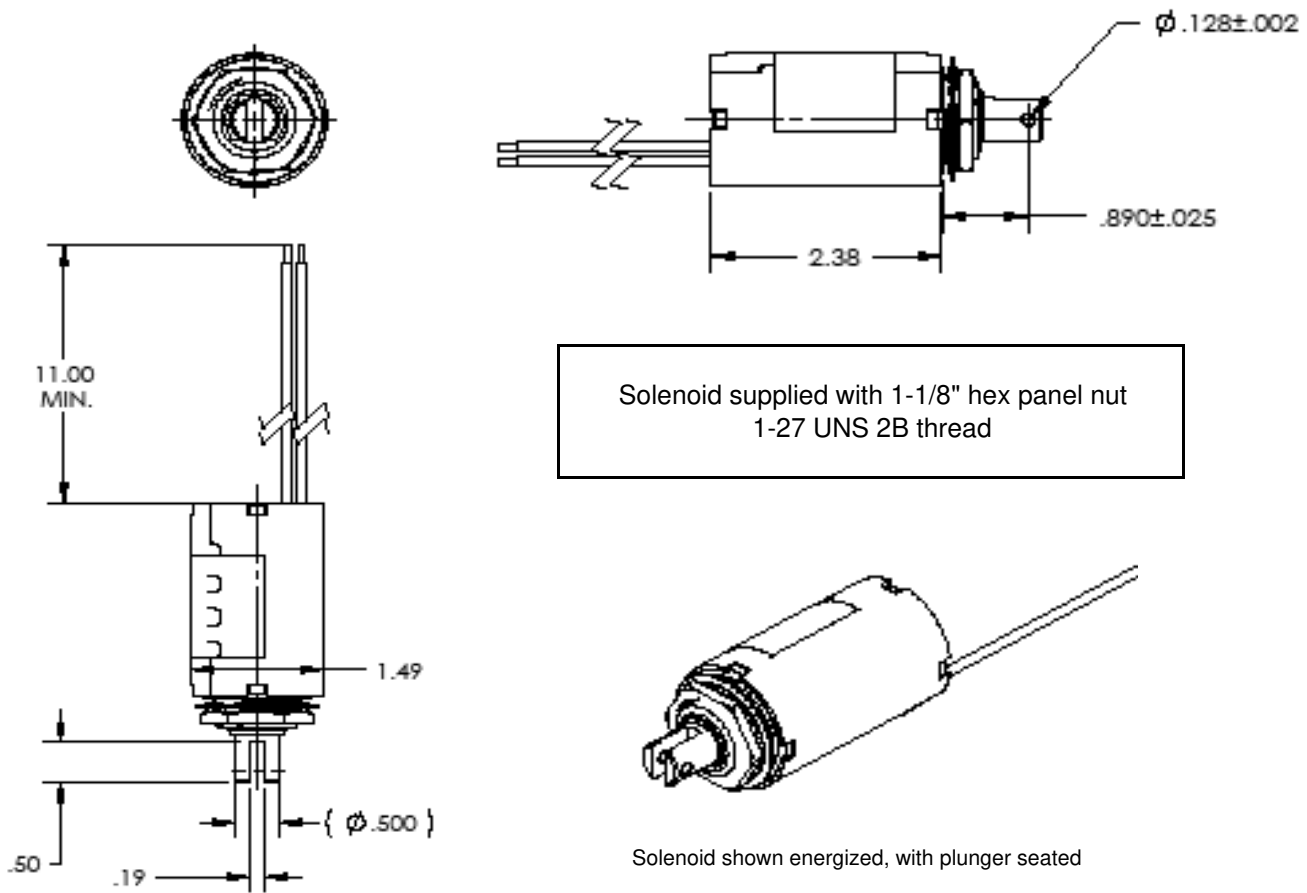
Definition of Duty Cycles:

**Continuous** = indefinite activation; **Intermittent** = 1 minute ON and 3 minutes OFF; **Pulse** = 100msec. ON and 900 msec. OFF

**Special order options: 6 to 48Volts, DC only; push-type configuration. Consult factory for other modifications.**

Stroke (in.):	Sealed	1/8	1/4	3/8	1/2	3/4	1	1-1/4
Cont. Duty force	200 oz.	128 oz.	64 oz.	38 oz.	24 oz.	13 oz.	5 oz.	3 oz.
Int. Duty force	245 oz.	184 oz.	138 oz.	110 oz.	80 oz.	48 oz.	28 oz.	16 oz.

Typical force values when operated at 100% rated voltage at 25°C. Derating required for lower voltage and higher temperature.



**Insulation Materials: UL Construction, Class B 130°C**

**Copper magnet wire insulation rated 155°C (class F)**

**Voltage Breakdown Strength: 1500 VAC RMS Life Expectancy: 10 million operations**