



Chipsmall Limited consists of a professional team with an average of over 10 year of expertise in the distribution of electronic components. Based in Hongkong, we have already established firm and mutual-benefit business relationships with customers from,Europe,America and south Asia,supplying obsolete and hard-to-find components to meet their specific needs.

With the principle of “Quality Parts,Customers Priority,Honest Operation,and Considerate Service”,our business mainly focus on the distribution of electronic components. Line cards we deal with include Microchip,ALPS,ROHM,Xilinx,Pulse,ON,Everlight and Freescale. Main products comprise IC,Modules,Potentiometer,IC Socket,Relay,Connector.Our parts cover such applications as commercial,industrial, and automotives areas.

We are looking forward to setting up business relationship with you and hope to provide you with the best service and solution. Let us make a better world for our industry!



Contact us

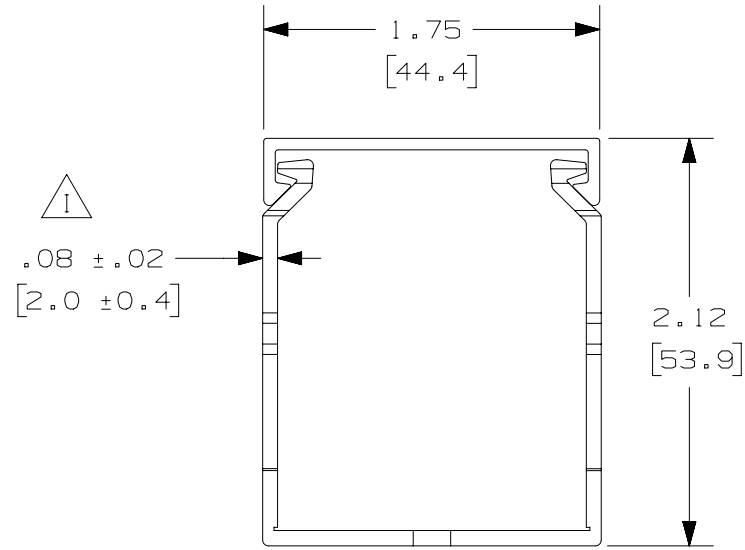
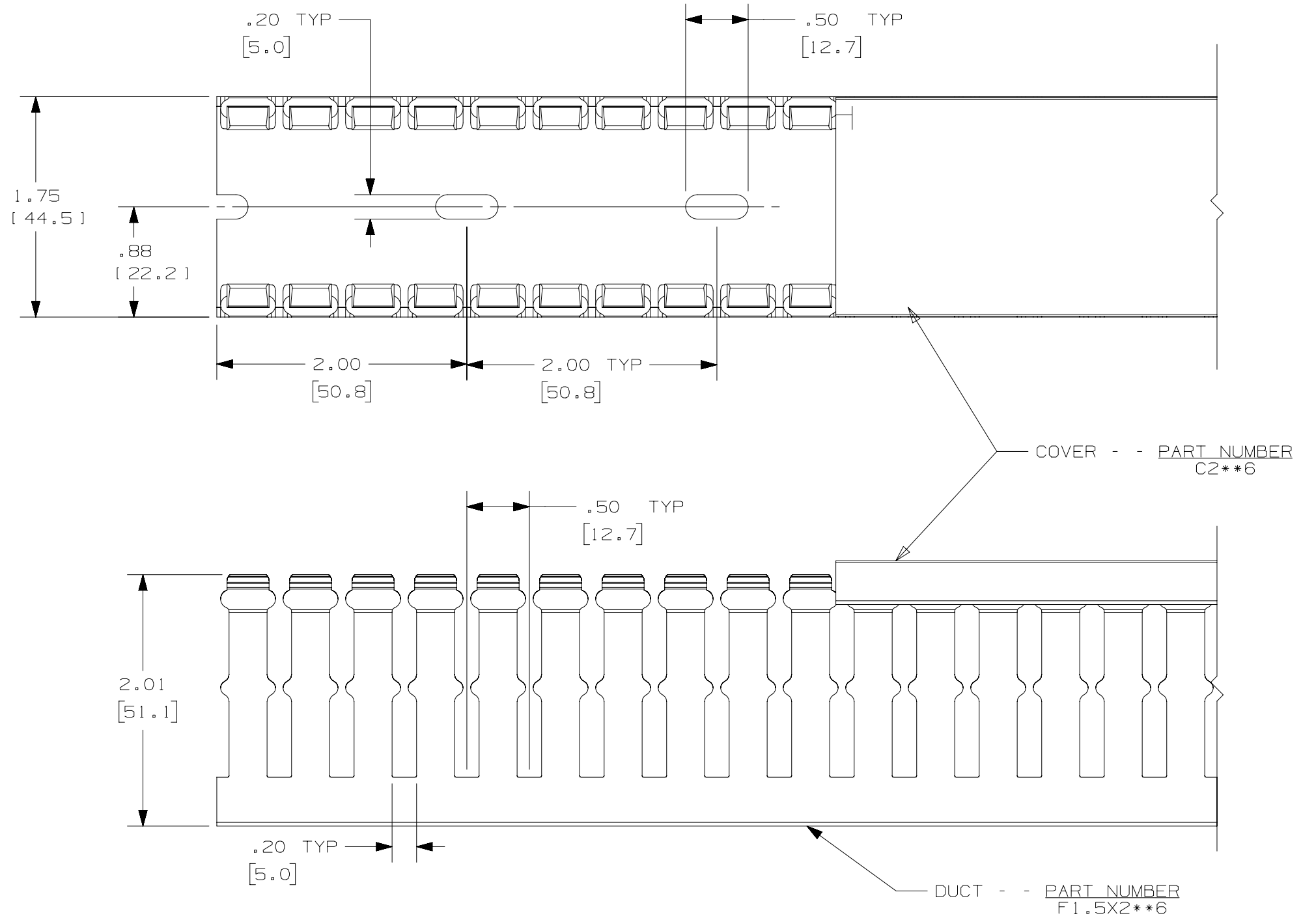
Tel: +86-755-8981 8866 Fax: +86-755-8427 6832

Email & Skype: info@chipsmall.com Web: www.chipsmall.com

Address: A1208, Overseas Decoration Building, #122 Zhenhua RD., Futian, Shenzhen, China



THIS COPY IS PROVIDED ON A RESTRICTED BASIS AND IS NOT TO BE USED IN ANY WAY DETRIMENTAL TO THE INTERESTS OF PANDUIT CORP.



- NOTE.
1. ALL DIMENSIONS ARE REFERENCE ONLY.
 2. DIMENSIONS IN PARENTHESES ARE METRIC.
 3. THE ** DENOTE COLOR.
 4. DUCT AND COVER ARE AVAILABLE IN 6 FT [1828.8] LENGTHS

REV	DATE	BY	CHK	APR	DESCRIPTION	ECN
4	12-18-15	BDK	MRJS	RGRO	I. ADDED TOLERANCE	36897-767
3	02-18-13	JBN	RTFI	RTFI	H. UPDATED DRAWING BORDER & TITLE BLOCK	36897-767

TITLE		WIRING DUCT - TYPE F WITH COVER 1.5 X 2	
ITEM REVISION NAME		D11000CE/02	
DATASET FILE NAME		D11000CE_DC/02A	
UNLESS OTHERWISE SPECIFIED, DIMENSIONAL TOLERANCES ARE: IN [mm]		MATERIAL:	
.X ±	.XXX ±	PVC	
.XX ±	ANGLES ±	DRAWING NUMBER:	
THIRD ANGLE PROJECTION		36897-767	
DRAWN BY	DATE	CHK	SCALE
JHNU	06-19-03	JGG	FULL
SHT 1 OF 1			SIZE
			B