



Chipsmall Limited consists of a professional team with an average of over 10 year of expertise in the distribution of electronic components. Based in Hongkong, we have already established firm and mutual-benefit business relationships with customers from,Europe,America and south Asia,supplying obsolete and hard-to-find components to meet their specific needs.

With the principle of “Quality Parts,Customers Priority,Honest Operation,and Considerate Service”,our business mainly focus on the distribution of electronic components. Line cards we deal with include Microchip,ALPS,ROHM,Xilinx,Pulse,ON,Everlight and Freescale. Main products comprise IC,Modules,Potentiometer,IC Socket,Relay,Connector.Our parts cover such applications as commercial,industrial, and automotives areas.

We are looking forward to setting up business relationship with you and hope to provide you with the best service and solution. Let us make a better world for our industry!



Contact us

Tel: +86-755-8981 8866 Fax: +86-755-8427 6832

Email & Skype: info@chipsmall.com Web: www.chipsmall.com

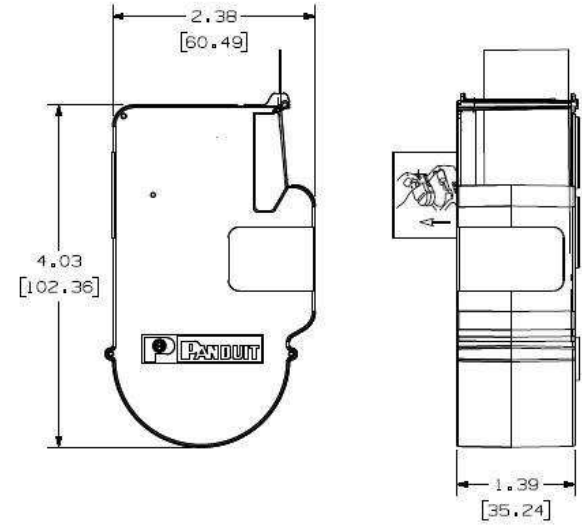
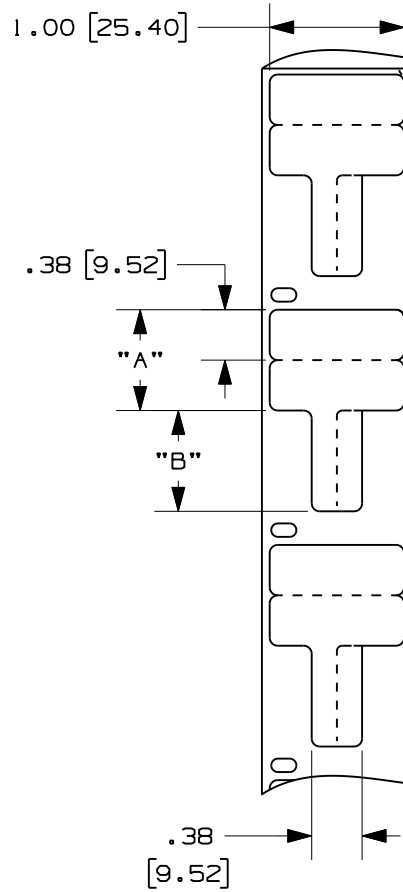
Address: A1208, Overseas Decoration Building, #122 Zhenhua RD., Futian, Shenzhen, China



THIS COPY IS PROVIDED ON A RESTRICTED BASIS AND IS NOT TO BE USED IN ANY WAY DETRIMENTAL TO THE INTERESTS OF PANDUIT CORP.

TABLE 1			
PART NO.	DIM. "A"	DIM. "B"	LABELS PER ROLL
F100X150AJC	0.75	0.75	200

NOTES:
1. MILLIMETER ARE IN ().



CAD FILENAME/LAYERS 100412BJ-DC-C10738/06C

PANDUIT CORP. TINLEY PARK, ILLINOIS

CUSTOMER DRAWING
FLAG LABEL PI CASSETTE

UNLESS OTHERWISE SPECIFIED,
DIMENSIONAL TOLERANCES ARE:
(.X) ± .1 (XXX) ± .025
(.XX) ± .050 ANGLES ±

UNLESS OTHERWISE SPECIFIED,
ALL DIMENSIONS ARE GIVEN
IN INCHES, THIRD ANGLE PROJECTION.

REV	DATE	BY	CHK	DESCRIPTION	ECN	R	CUST	SUP
2	6/22/10	RVU		CHANGE MATERIAL, REMOVED MATRIX AND MATRIX PRINT.	6069	R		
1	9/11/08	RVU		REMOVE LINER WIDTH DIM. CHG. TITLE TO "FLAG LABEL PI CASSETTE".	5542	R		
0	8/6/08	RVU		DRAWING RELEASE.	5501	R		

DRAWN BY
RVU
DATE
08/06/08
CHK'D

MAT'L:
GMY4-HT
WHITE
POLYESTER



SCALE
NTS

DRAWING NO.
C10738

DWG
A
SIZE