



Chipsmall Limited consists of a professional team with an average of over 10 year of expertise in the distribution of electronic components. Based in Hongkong, we have already established firm and mutual-benefit business relationships with customers from,Europe,America and south Asia,supplying obsolete and hard-to-find components to meet their specific needs.

With the principle of “Quality Parts,Customers Priority,Honest Operation,and Considerate Service”,our business mainly focus on the distribution of electronic components. Line cards we deal with include Microchip,ALPS,ROHM,Xilinx,Pulse,ON,Everlight and Freescale. Main products comprise IC,Modules,Potentiometer,IC Socket,Relay,Connector.Our parts cover such applications as commercial,industrial, and automotives areas.

We are looking forward to setting up business relationship with you and hope to provide you with the best service and solution. Let us make a better world for our industry!



## Contact us

Tel: +86-755-8981 8866 Fax: +86-755-8427 6832

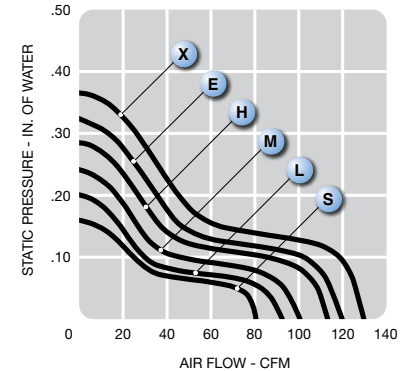
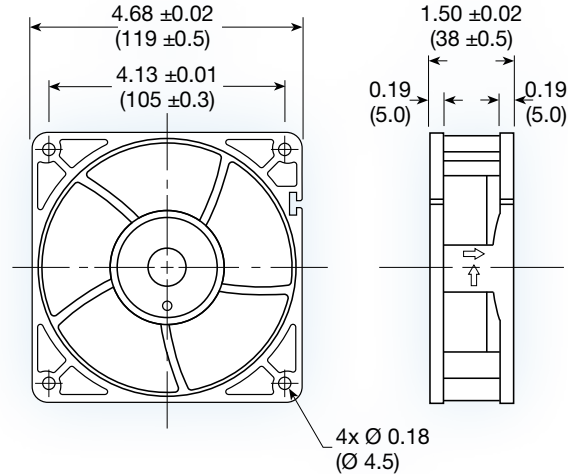
Email & Skype: info@chipsmall.com Web: www.chipsmall.com

Address: A1208, Overseas Decoration Building, #122 Zhenhua RD., Futian, Shenzhen, China



# F1238-H series

## HIGH PERFORMANCE



**(119 x 119 x 38 mm)**  
4.69 x 4.69 x 1.5 inches

**Features:** high performance impeller for maximum air flow

**Construction:** brass bearing stand

**Bearing option:** ball bearings

**Connection:** lead wires or terminal

**Frame:** flanged

**Protection:** electronic locked rotor sensor, auto-restart, reverse polarity protection

**Options:** tachometer output or locked rotor alarm signal

Model No.	Rated Voltage V	Current mA				Speed RPM	Air Volume CFM	Max. Static Pressure (H <sub>2</sub> O) INCH	Sound Noise dB <sub>A</sub>	Weight oz
		5	12	24	48					
<b>F1238S-H</b>	5/12/24/48	520	180	90	60	2,100	81	0.16	33	9.45
<b>F1238L-H</b>	12/24/48	-	290	145	80	2,400	93	0.20	35	9.45
<b>F1238M-H</b>	12/24/48	-	360	180	120	2,700	103	0.24	38	9.45
<b>F1238H-H</b>	12/24/48	-	440	220	140	3,000	112	0.28	41	9.45
<b>F1238E-H</b>	12/24/48	-	700	350	210	3,300	121	0.33	44	9.45
<b>F1238X-H</b>	12/24	-	950	500	-	3,600	130	0.37	47	9.45

