



Chipsmall Limited consists of a professional team with an average of over 10 year of expertise in the distribution of electronic components. Based in Hongkong, we have already established firm and mutual-benefit business relationships with customers from,Europe,America and south Asia,supplying obsolete and hard-to-find components to meet their specific needs.

With the principle of "Quality Parts,Customers Priority,Honest Operation,and Considerate Service",our business mainly focus on the distribution of electronic components. Line cards we deal with include Microchip,ALPS,ROHM,Xilinx,Pulse,ON,Everlight and Freescale. Main products comprise IC,Modules,Potentiometer,IC Socket,Relay,Connector.Our parts cover such applications as commercial,industrial, and automotives areas.

We are looking forward to setting up business relationship with you and hope to provide you with the best service and solution. Let us make a better world for our industry!



## Contact us

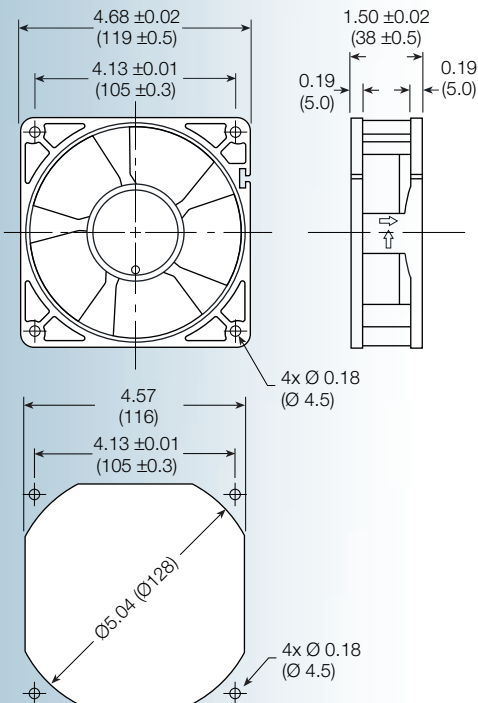
Tel: +86-755-8981 8866 Fax: +86-755-8427 6832

Email & Skype: info@chipsmall.com Web: www.chipsmall.com

Address: A1208, Overseas Decoration Building, #122 Zhenhua RD., Futian, Shenzhen, China

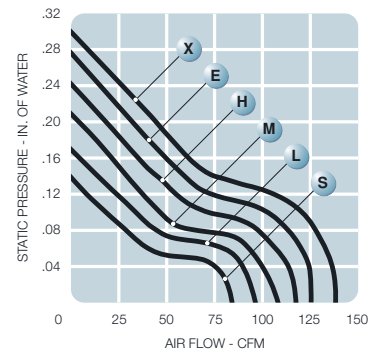


## F1238-S series



**Size: (119 x 119 x 38 mm)  
4.69 x 4.69 x 1.5 inches**

- Broad range of models to meet air flow and sound noise targets
- Electronic locked rotor sensor, auto-restart, reverse polarity protection
- 5, 12, 24 or 48 VDC
- Lead wires or terminal version; reinforced flanged frame; ball bearings
- Options include tachometer or locked rotor output signal



Model No.	Rated Voltage V	Current mA				Revolution RPM	Air Volume CFM	Maximum Static Pressure (in H <sub>2</sub> O)	Sound Noise dBA	Weight oz
		5	12	24	48					
<b>F1238S-S</b>	5/12/24/48	520	180	90	60	1,800	83	0.14	34	8.58
<b>F1238L-S</b>	5/12/24/48	800	290	145	80	2,050	94	0.17	36	8.58
<b>F1238M-S</b>	12/24/48	-	360	180	120	2,300	105	0.21	38	8.58
<b>F1238H-S</b>	12/24/48	-	440	220	140	2,500	115	0.25	41	8.58
<b>F1238E-S</b>	12/24/48	-	700	350	210	2,800	126	0.28	43	8.58
<b>F1238X-S</b>	12/24	-	950	500	-	3,100	140	0.30	45	8.58

\* Available with quick disconnect terminal block.