



Chipsmall Limited consists of a professional team with an average of over 10 year of expertise in the distribution of electronic components. Based in Hongkong, we have already established firm and mutual-benefit business relationships with customers from,Europe,America and south Asia,supplying obsolete and hard-to-find components to meet their specific needs.

With the principle of “Quality Parts,Customers Priority,Honest Operation,and Considerate Service”,our business mainly focus on the distribution of electronic components. Line cards we deal with include Microchip,ALPS,ROHM,Xilinx,Pulse,ON,Everlight and Freescale. Main products comprise IC,Modules,Potentiometer,IC Socket,Relay,Connector.Our parts cover such applications as commercial,industrial, and automotives areas.

We are looking forward to setting up business relationship with you and hope to provide you with the best service and solution. Let us make a better world for our industry!



Contact us

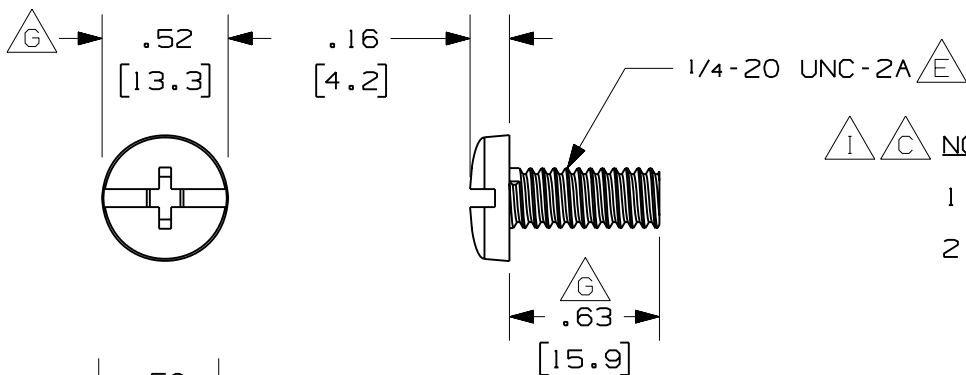
Tel: +86-755-8981 8866 Fax: +86-755-8427 6832

Email & Skype: info@chipsmall.com Web: www.chipsmall.com

Address: A1208, Overseas Decoration Building, #122 Zhenhua RD., Futian, Shenzhen, China



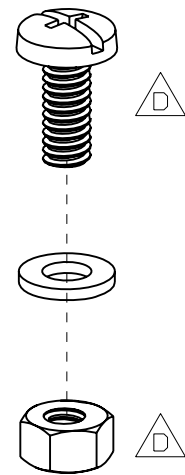
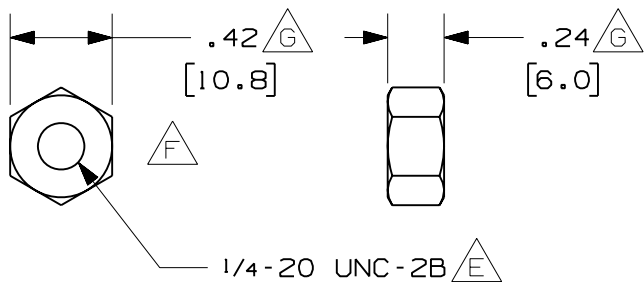
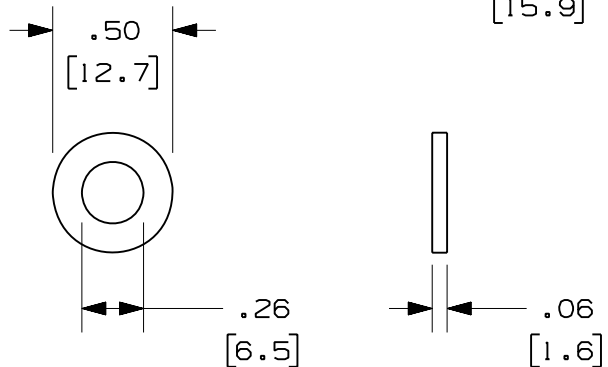
THIS COPY IS PROVIDED ON A RESTRICTED BASIS AND IS NOT TO BE USED IN ANY WAY DETRIMENTAL TO THE INTERESTS OF PANDUIT CORP.



PANDUIT PART NUMBER	WEIGHT
F14PN-L	0.16 LB/50 PCS (73g/50 PCS)

△ I △ C NOTES:

- SEE CURRENT CATALOG FOR ADDITIONAL PART SUFFIXES TO INDICATE PACKAGE QUANTITY.
- THE FIBER ROUTING 1/4-20 PLASTIC HEX NUT AND SCREW KIT INCLUDES:
FIFTY (50) 1/4-20 NYLON COMBINATION BINDING HEAD MACHINE SCRES,
FIFTY (50) 1/4-20 NYLON HEX MACHINE SCREW NUTS,
FIFTY (50) .257x.50x.062 NYLON FLAT WASHERS.
- DIMENSIONS IN PARENTHESES ARE IN METRIC.



△ H ENG. REF.: D37291BW_DC_F14PN-L_02.prt

CAD FILENAME/LAYERS
△ A F14PN-L.pdf

2	6-16-06	MSO	RN	I. REVISED GENERAL NOTES. H. REVISED CAD FILENAME.	37291-20	RN	RN		
-	-----	---	---	G. REVISED DIMENSIONS.	-----	---	---		
-	-----	---	---	F. REMOVED DIMENSIONS. E. REVISED LOCAL NOTES.	-----	---	---		
-	-----	---	---	D. REVISED PART GEOMETRY. C. REVISED GENERAL NOTES.	-----	---	---		
1	4-27-05	MSO	SMF	B. REVISED DRAWING TITLE. A. REVISED CAD FILENAME.	37291-20	RN	RN		
R	1-23-01	JHNU	LD	RELEASED TO PRODUCTION	37291-20	HIW	HIW		
REV	DATE	BY	CHK	DESCRIPTION	ECN	R	CUST	SUP	GMBH

PANDUIT CORP TINLEY PARK, ILLINOIS

FIBER ROUTING 1/4-20 PLASTIC HEX NUT AND SCREW KIT (F14PN-L)
CUSTOMER DRAWING

UNLESS OTHERWISE SPECIFIED, DIMENSIONAL TOLERANCES ARE:
(.X) ± (.XXX) ±
(.XX) ± .03 (.8) ANGLES ±

UNLESS OTHERWISE SPECIFIED, ALL DIMENSIONS ARE GIVEN IN INCHES, THIRD ANGLE PROJECTION.

DRAWN BY: JHNU
DATE: 1-23-01
CHK'D: LD

MAT'L: NYLON

SCALE: NONE

DRAWING NO.: 37291-20
DWG SIZE: A