



Chipsmall Limited consists of a professional team with an average of over 10 year of expertise in the distribution of electronic components. Based in Hongkong, we have already established firm and mutual-benefit business relationships with customers from,Europe,America and south Asia,supplying obsolete and hard-to-find components to meet their specific needs.

With the principle of “Quality Parts,Customers Priority,Honest Operation,and Considerate Service”,our business mainly focus on the distribution of electronic components. Line cards we deal with include Microchip,ALPS,ROHM,Xilinx,Pulse,ON,Everlight and Freescale. Main products comprise IC,Modules,Potentiometer,IC Socket,Relay,Connector.Our parts cover such applications as commercial,industrial, and automotives areas.

We are looking forward to setting up business relationship with you and hope to provide you with the best service and solution. Let us make a better world for our industry!



Contact us

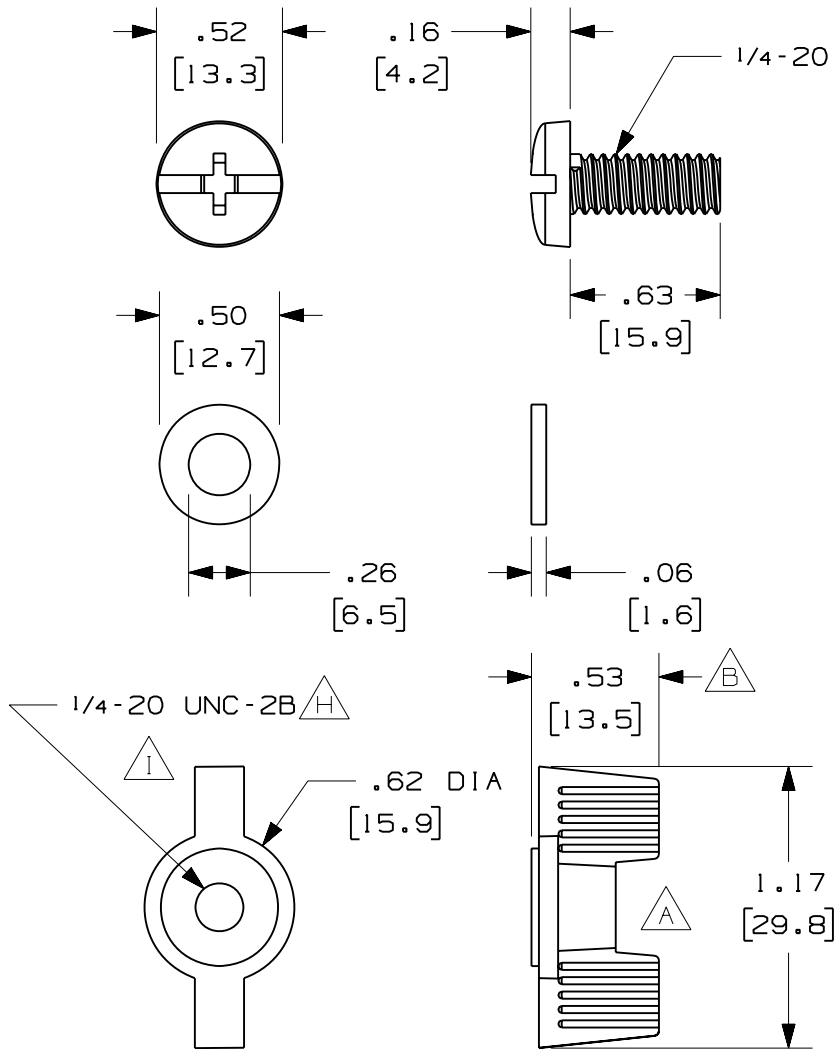
Tel: +86-755-8981 8866 Fax: +86-755-8427 6832

Email & Skype: info@chipsmall.com Web: www.chipsmall.com

Address: A1208, Overseas Decoration Building, #122 Zhenhua RD., Futian, Shenzhen, China



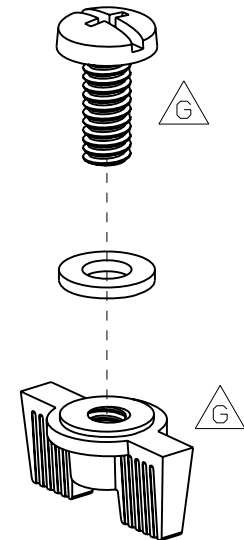
THIS COPY IS PROVIDED ON A RESTRICTED BASIS AND IS NOT TO BE USED IN ANY WAY DETRIMENTAL TO THE INTERESTS OF PANDUIT CORP.



PANDUIT PART NUMBER	WEIGHT
F14PWN-L	0.29 LB/50 PCS (132g/50 PCS)

F NOTES:

1. SEE CURRENT CATALOG FOR ADDITIONAL PART SUFFIXES TO INDICATE PACKAGE QUANTITY.
2. THE FIBER ROUTING 1/4-20 PLASTIC WING NUT AND SCREW KIT INCLUDES:
FIFTY (50) 1/4-20 NYLON COMBINATION BINDING HEAD MACHINE SCREWS,
FIFTY (50) 1/4-20 NYLON DECO WING NUTS,
FIFTY (50) .257x.50x.062 NYLON FLAT WASHERS.
3. DIMENSIONS IN PARENTHESES ARE IN METRIC.



J ENG. REF.: D37291BX_DC_F14PWN-L_02.prt

CAD FILENAME/LAYERS **C** F14PWN-L.pdf

REV	DATE	BY	CHK	DESCRIPTION	ECN	R	CUST	SUP	GMBH
3	6-16-06	MSO	RN	K. REVISED PART WEIGHT. J. REVISED CAD FILENAME.	37291-21	RN	RN		
-	-----	---	---	I. REMOVED DIMENSION.	-----	--	--		
-	-----	---	---	H. REVISED LOCAL NOTE. G. REVISED PART GEOMETRY.	-----	--	--		
-	-----	---	---	F. REVISED GENERAL NOTES. E. REVISED MAT'L REFERENCE.	-----	--	--		
2	4-29-05	MSO	SMF	D. REVISED DRAWING TITLE. C. REVISED CAD FILENAME.	37291-21	RN	RN		
1	7-9-01	JHNU	LD	B. ADDED DIMENSION. A. REMOVED DIMENSION.	37291-21	HIW	HIW		
R	1-23-01	JHNU	LD	RELEASED TO PRODUCTION	37291-21	HIW	HIW		

PANDUIT CORP TINLEY PARK, ILLINOIS
FIBER ROUTING 1/4-20 PLASTIC WING NUT AND SCREW KIT (F14PWN-L)
D CUSTOMER DRAWING

UNLESS OTHERWISE SPECIFIED, DIMENSIONAL TOLERANCES ARE: (.X) ± (.XXX) ± (.XX) ± .03 (.8) ANGLES ±		UNLESS OTHERWISE SPECIFIED, ALL DIMENSIONS ARE GIVEN IN INCHES, THIRD ANGLE PROJECTION.	
DRAWN BY JHNU	MAT'L: NYLON	SCALE NONE	
DATE 1-23-01		DRAWING NO. 37291-21	DWG A
CHK'D LD	E		SIZE