



Chipsmall Limited consists of a professional team with an average of over 10 year of expertise in the distribution of electronic components. Based in Hongkong, we have already established firm and mutual-benefit business relationships with customers from,Europe,America and south Asia,supplying obsolete and hard-to-find components to meet their specific needs.

With the principle of "Quality Parts,Customers Priority,Honest Operation,and Considerate Service",our business mainly focus on the distribution of electronic components. Line cards we deal with include Microchip,ALPS,ROHM,Xilinx,Pulse,ON,Everlight and Freescale. Main products comprise IC,Modules,Potentiometer,IC Socket,Relay,Connector.Our parts cover such applications as commercial,industrial, and automotives areas.

We are looking forward to setting up business relationship with you and hope to provide you with the best service and solution. Let us make a better world for our industry!



Contact us

Tel: +86-755-8981 8866 Fax: +86-755-8427 6832

Email & Skype: info@chipsmall.com Web: www.chipsmall.com

Address: A1208, Overseas Decoration Building, #122 Zhenhua RD., Futian, Shenzhen, China



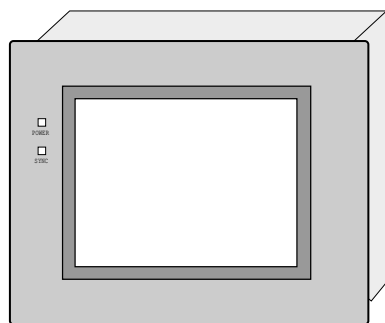
OMRON

Model F150-M05L

LCD Monitor

INSTRUCTION SHEET

Thank you for selecting OMRON product. This sheet primarily describes precautions required in installing and operating the product. Before operating the product, read this sheet thoroughly to acquire sufficient knowledge of the product. For your convenience, keep this sheet for your disposal.



©OMRON Corporation 1999 All Rights Reserved.

B

NOTICE

When using LCD monitor F150-M05L with connecting to F150, F180, or F400 series vision sensor, pay attention to the following points.

1. Window setting should be made within the picture displaying field of this LCD monitor.
2. If the window is set outside the picture displaying field, the window cursor or a part of the window (field of 8 lines at the upper portion of the screen) is not displayed. Measurement is still possible without any trouble.

Field of 8 lines at the upper portion of screen of F150 or F400 video output is not displayed on the screen of this LCD monitor.

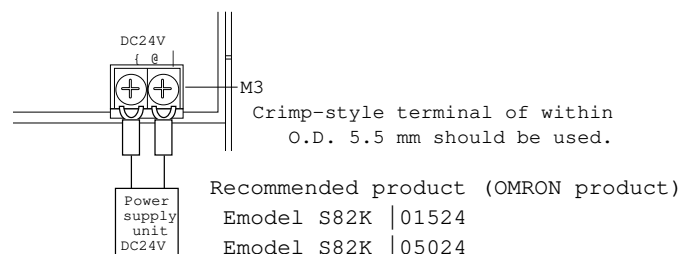
If F150-M05L is used by connecting to the vision recognition device (F200, F300, F350 or F381 series), the menu characters will come out from the screen. It is not recommended to use them. To F200, F300, F350, and F381 series, connect the monitor F300-M09.

Protective transparent seal is stuck to front of the screen of F150-M05L. Remove this seal to obtain clear sight.

- *Lights up in green when power is turned ON.
- A.Lights up in orange while video signal is being input
- B.Volume for adjusting brightness of backlight
Backlight becomes brighter by rotating the volume clockwise and darker by rotating counterclockwise.
- C.Volume for adjusting contrast of screen
Contrast becomes larger by rotating the volume clockwise.
- D.Connect the power supply of DC24V to this terminal.
- E.Screen change-over switch
By setting this switch to REV, the screen reverses vertically and horizontally.
- F.Change-over switch of video input end resistance (75 /HIGH)
When no cable is connected to the video output terminal, keep this switch set to 75 .
- G.Video input terminal (pin jack)
- H.Video output terminal (pin jack)
Buffering is not made to the composite video output. When using the composite video output of this product by connecting to other instrument, set the switch F to HIGH or separate the end resistance of the instrument connected.

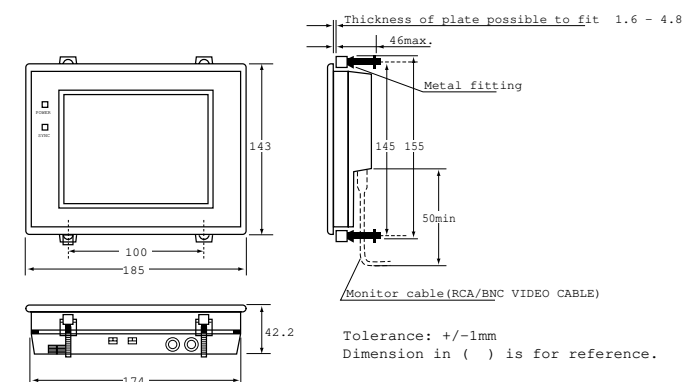
3. Power Supply Connecting Terminal

Power supply connecting terminal is located at the back of the main unit. Connect the power supply unit of DC24V.

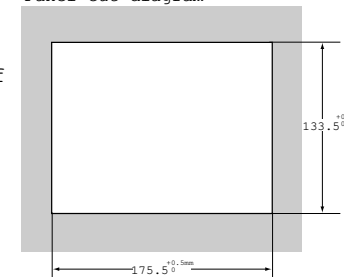


5. Dimensions

Unit mm



Panel cut diagram



Precautions for safety

Meaning of Warning indication

Warning This indicates the case that may contain possibility of death or heavy injury if wrongly handled.

Warning

Warning

Do not open case. Hazardous voltage inside may cause electrical shock.



NOTE

For securing safety, be sure to observe the following particulars.

- (1) Do not use the product in the range exceeding the rated voltage.
- (2) LCD panel is a glass product. Do not hit or drop it. Otherwise, it will be broken and dangerous.
- (3) LCD panel contains some irritant substances in it. If LCD panel was broken and liquid substance in it stuck to the skin or entered in the eye, wash out with flowing water and consult the doctor.
- (4) Do not use the LCD monitor in the place where any substance or water (waterdrop) may enter.
- (5) Disposal of this product may be regulated by some of local governments. Follow respective local government.

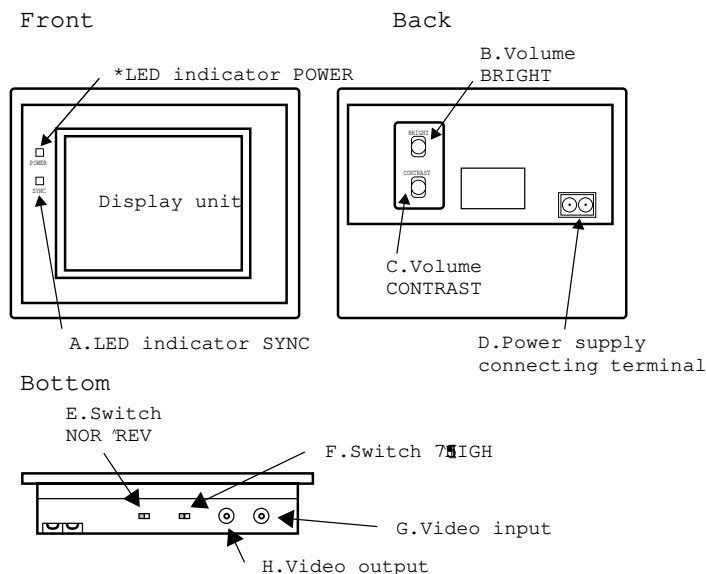
1. Check of package

Check if the following articles are complete in the package.

- 1.LCD monitor main unit
- 2.Instruction manual this booklet
- 3.Fitting metals

If shortage of article is found, contact our branch or sales office in your city.

2. Component Names



4. Specifications

General specifications

Item	Specifications
Supply voltage	DC24V(10% A 15%)
Power consumption	15W or less
Current consumption	700 mA or less
Vibration resistance	10 - 150 Hz one amplitude 0.1 mm 3 directions 8 min. each, 10 times
Shock resistance	150 m/8 6 directions each 3 times
Operating temperature	0 ` 50
Operating humidity	35 - 85%RH(There should be no dew condensation.)
Operating atmosphere	There should be no corrosive gas.
Storage temperature	25 ` 65
Weight	Approx. 1 kg

LCD panel

Item	Specifications
Panel size	5.5 type
Panel type	TFT
Resolution	320 ~240 dots
Display color	full color
Picture pitch	0.348 (H) ~0.348 (V)mm
Picture size	111.36 (H) ~83.52 (V)mm
Contrast	85:1 (TYP)
Angle of visibility	Vertical 25 degree Horizontal 50 degree (Contrast ratio>10)
Brightness	250cd/m ² (TYP)
Back wright	Cold cathode fluorescent tube
Response speed	60 ms or less
Input signal	NTSC composite video (1.0V/75 end)

PRECAUTIONS IN USING THE PRODUCT

When the product is used under the circumstances below, ensure adherence to the limitations of the ratings and functions. Also, take countermeasures for safety precautions such as fail-safe installations.

- 1.Use under the circumstances or environment which are not described in the instruction sheet.
- 2.Use for the equipment which require higher level of safety, such as nuclear devices, railroad, aircrafts, vehicles, combustion devices, amusement machinery, medical equipment, safety devices.
- 3.Use for applications where death , serious injury or property damage is possible and extensive safety precautions are required.

OMRON Corporation