



Chipsmall Limited consists of a professional team with an average of over 10 year of expertise in the distribution of electronic components. Based in Hongkong, we have already established firm and mutual-benefit business relationships with customers from,Europe,America and south Asia,supplying obsolete and hard-to-find components to meet their specific needs.

With the principle of “Quality Parts,Customers Priority,Honest Operation,and Considerate Service”,our business mainly focus on the distribution of electronic components. Line cards we deal with include Microchip,ALPS,ROHM,Xilinx,Pulse,ON,Everlight and Freescale. Main products comprise IC,Modules,Potentiometer,IC Socket,Relay,Connector.Our parts cover such applications as commercial,industrial, and automotives areas.

We are looking forward to setting up business relationship with you and hope to provide you with the best service and solution. Let us make a better world for our industry!



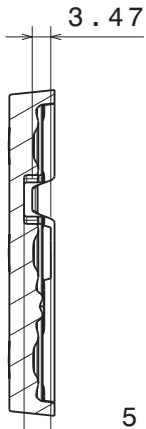
## Contact us

Tel: +86-755-8981 8866 Fax: +86-755-8427 6832

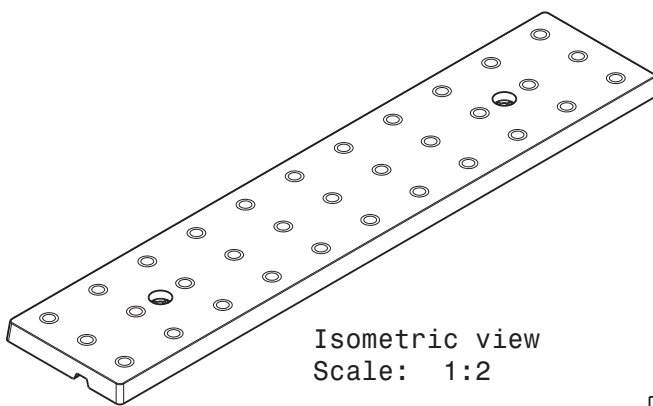
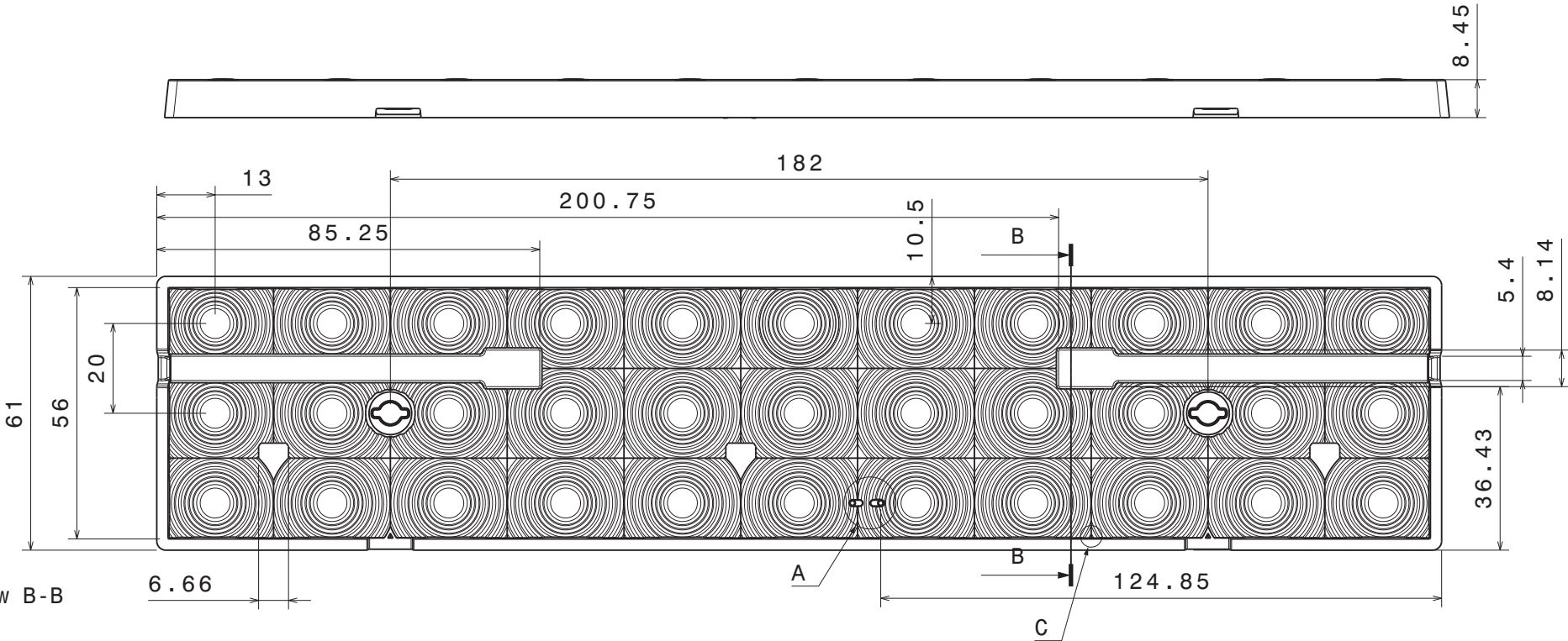
Email & Skype: info@chipsmall.com Web: www.chipsmall.com

Address: A1208, Overseas Decoration Building, #122 Zhenhua RD., Futian, Shenzhen, China

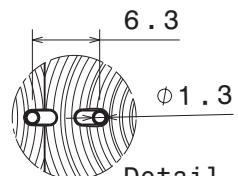




Section view B-B  
Scale: 1:1



Isometric view  
Scale: 1:2



Detail A  
Scale: 2:1



Detail C  
Scale: 5:1

	PCB or Heat Sink level
	Led location see red dot
Ensure LED fitting, see our web site and/or 3D model for part detail.	
See installation details page 2.	

PART	TYPE	MATERIAL	COLOR / COATING
F16261_FLORENCE-Z90-B	LENS	PMMA	CLEAR

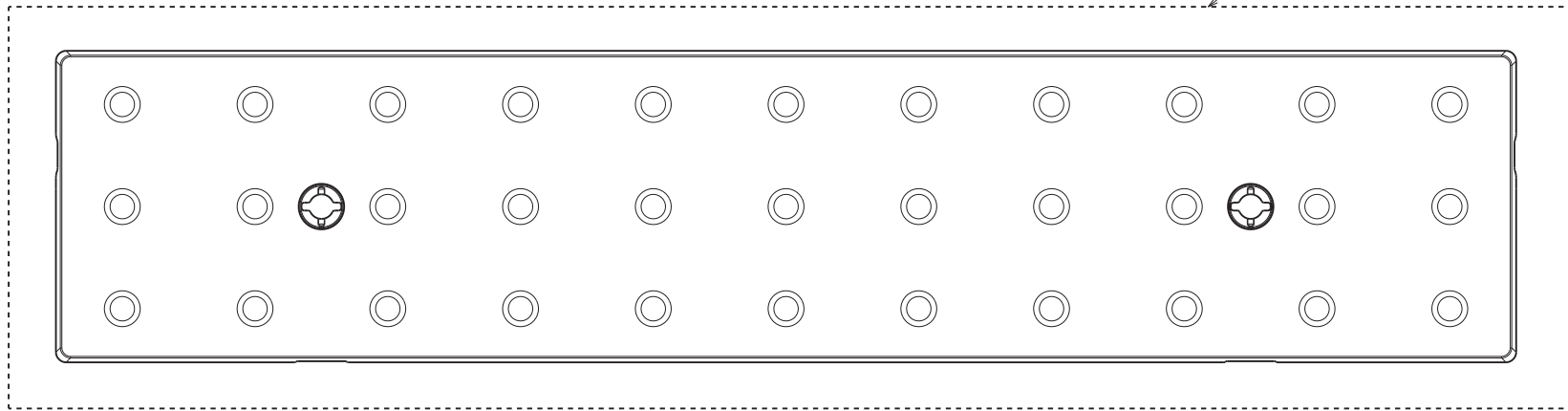
<b>PRODUCTION DRAWING</b>		<b>LEDiL</b> <sup>®</sup>
<b>F16261_FLORENCE-Z90-B</b>		
Plastic molding general tolerances are based on DIN 16901 and applies if not otherwise shown in drawing. Silicone molding general tolerances are based on ISO 3302-1:2014(E) and applies if not otherwise shown in drawing.	<b>FIRST ANGLE PROJECTION:</b> 	This drawing is the property of LEDiL Oy. It may not be reproduced, copied or communicated without a written agreement with LEDiL Oy.
<b>SCALE</b> 1:1	<b>WEIGHT</b> 88,61 g	<b>A3 SHEET 1/1</b>

H G F E D C B A

4

4

Light pattern direction

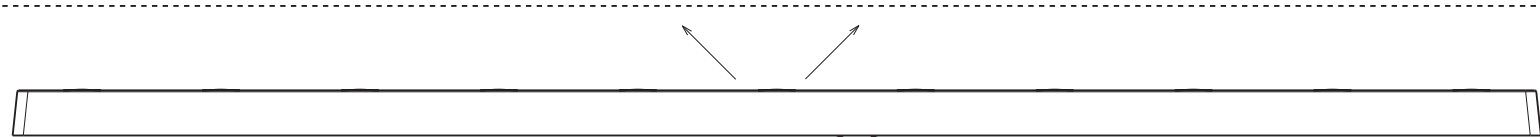


3

3

2

2



Front view  
Scale: 1:1

1

1

PART	TYPE	MATERIAL	COLOR / COATING
F16261_FLORENCE-Z90-B	LENS	PMMA	CLEAR

<b>PRODUCTION DRAWING</b>		<b>LEDiL<sup>®</sup></b>
<b>F16261_FLORENCE-Z90-B</b>		
Plastic molding general tolerances are based on DIN 16901 and applies if not otherwise shown in drawing. Silicone molding general tolerances are based on ISO 3302-1:2014(E) and applies if not otherwise shown in drawing.	<b>FIRST ANGLE PROJECTION:</b> 	This drawing is the property of LEDiL Oy. It may not be reproduced, copied or communicated without a written agreement with LEDiL Oy.
<b>SCALE</b> 1:1	<b>WEIGHT</b> 88,61 g	<b>A3 SHEET 1/1</b>

H G B A

H G F E D C B A

4

4

3

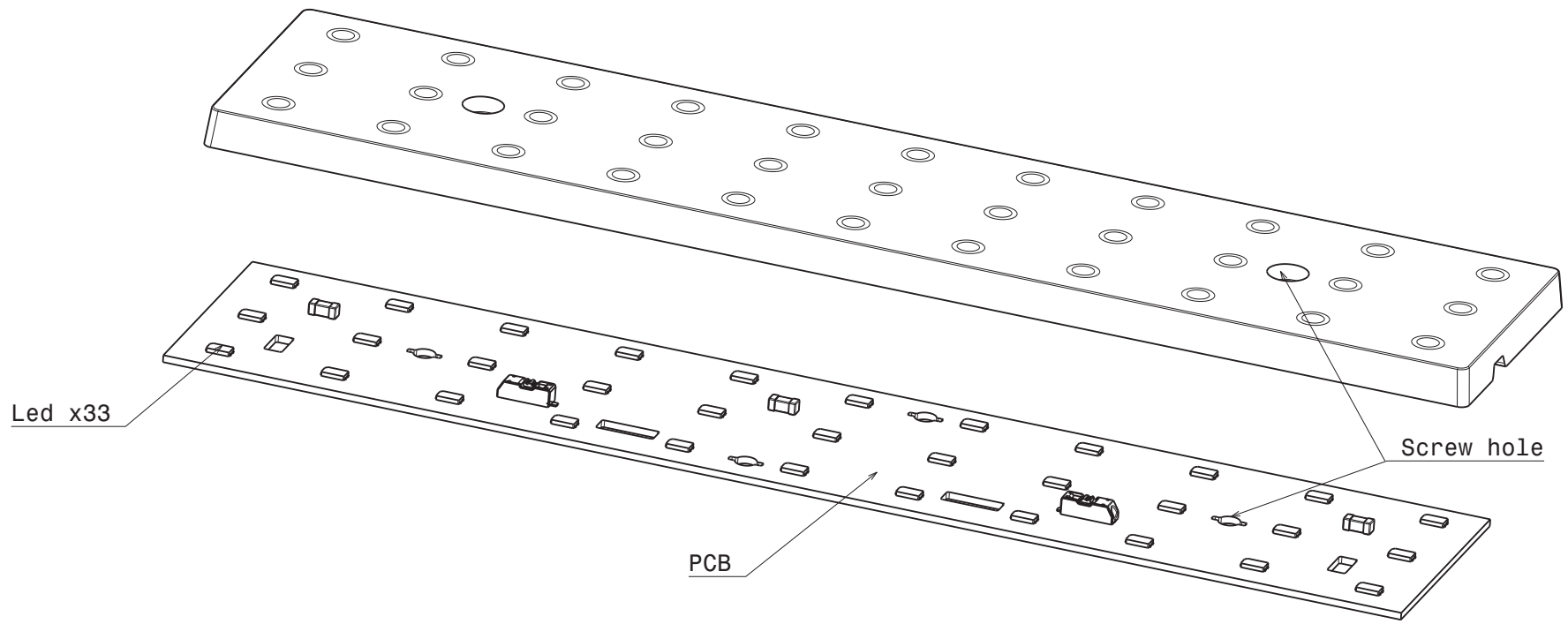
3

2

2

1

1



PART	TYPE	MATERIAL	COLOR / COATING
F16261_FLORENCE-Z90-B	LENS	PMMA	CLEAR

<b>PRODUCTION DRAWING</b>		<b>LEDiL<sup>®</sup></b>
F16261_FLORENCE-Z90-B		
Plastic molding general tolerances are based on DIN 16901 and applies if not otherwise shown in drawing. Silicone molding general tolerances are based on ISO 3302-1:2014(E) and applies if not otherwise shown in drawing.	FIRST ANGLE PROJECTION: 	This drawing is the property of LEDiL Oy. It may not be reproduced, copied or communicated without a written agreement with LEDiL Oy.
SCALE 1:1	WEIGHT 88,61 g	A3 SHEET 1/1

H G F E D C B A