



Chipsmall Limited consists of a professional team with an average of over 10 year of expertise in the distribution of electronic components. Based in Hongkong, we have already established firm and mutual-benefit business relationships with customers from,Europe,America and south Asia,supplying obsolete and hard-to-find components to meet their specific needs.

With the principle of “Quality Parts,Customers Priority,Honest Operation,and Considerate Service”,our business mainly focus on the distribution of electronic components. Line cards we deal with include Microchip,ALPS,ROHM,Xilinx,Pulse,ON,Everlight and Freescale. Main products comprise IC,Modules,Potentiometer,IC Socket,Relay,Connector.Our parts cover such applications as commercial,industrial, and automotives areas.

We are looking forward to setting up business relationship with you and hope to provide you with the best service and solution. Let us make a better world for our industry!



Contact us

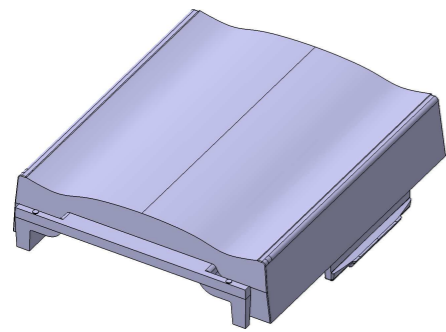
Tel: +86-755-8981 8866 Fax: +86-755-8427 6832

Email & Skype: info@chipsmall.com Web: www.chipsmall.com

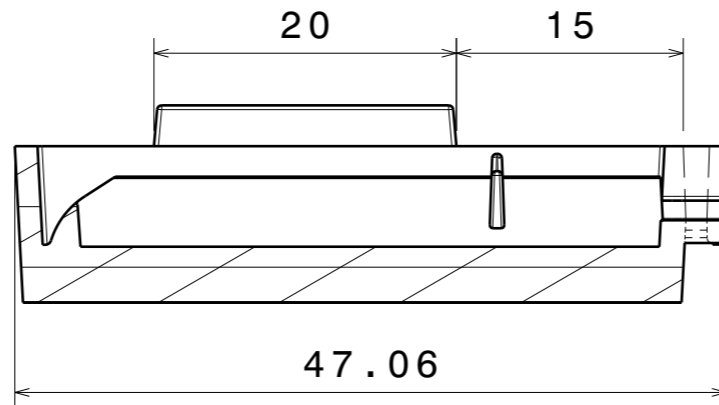
Address: A1208, Overseas Decoration Building, #122 Zhenhua RD., Futian, Shenzhen, China



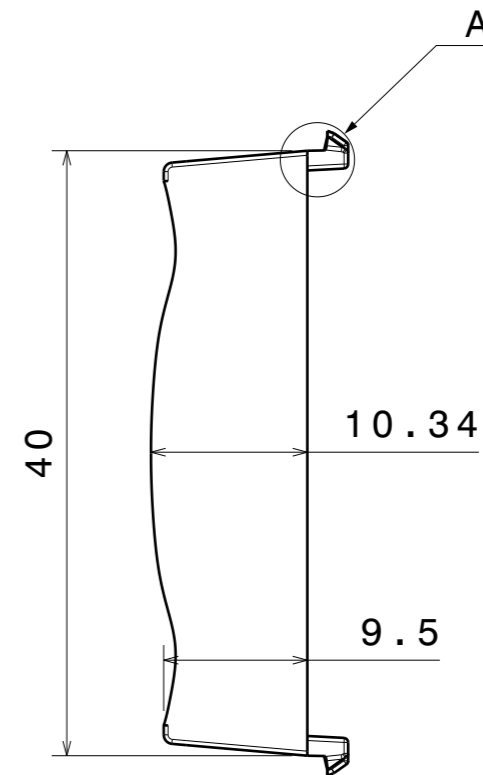
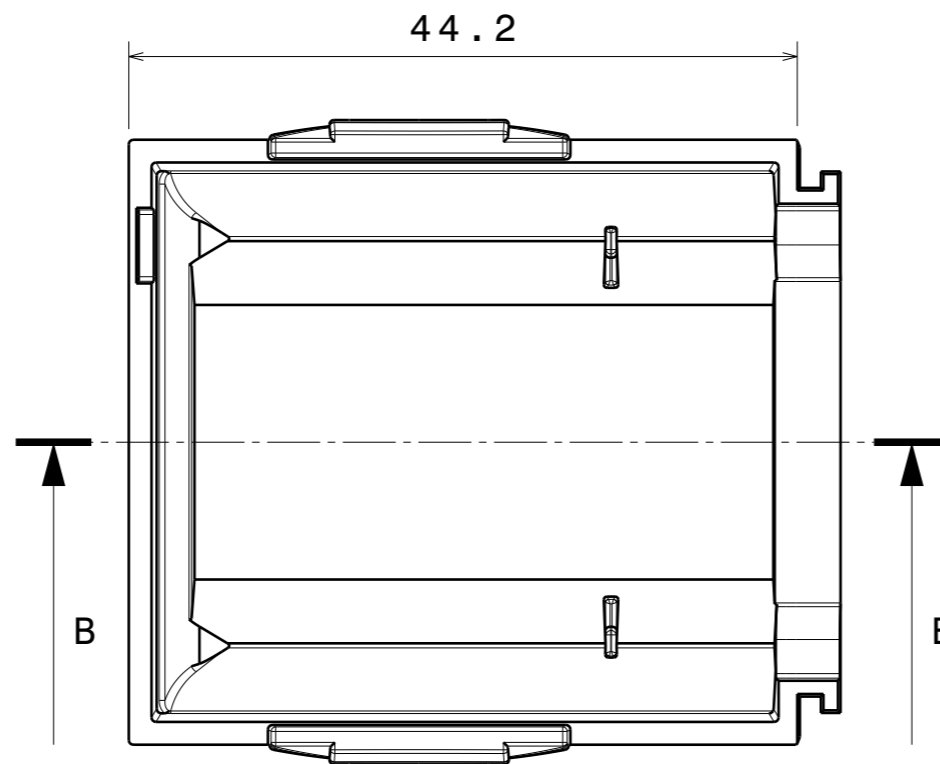
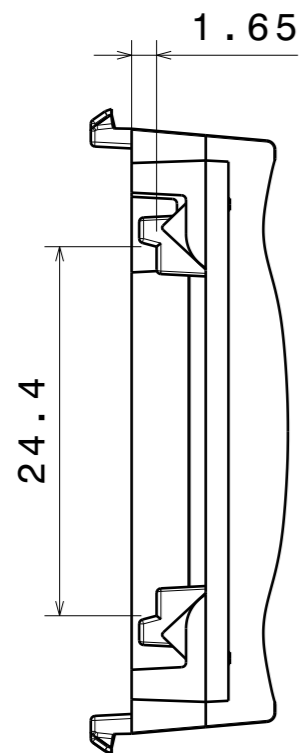
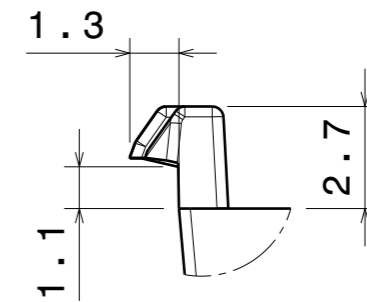
Isometric view
Scale: 1:1



Section view B-B
Scale: 2:1



Detail A
Scale: 5:1



GENERAL MOULDING TOLERANCES

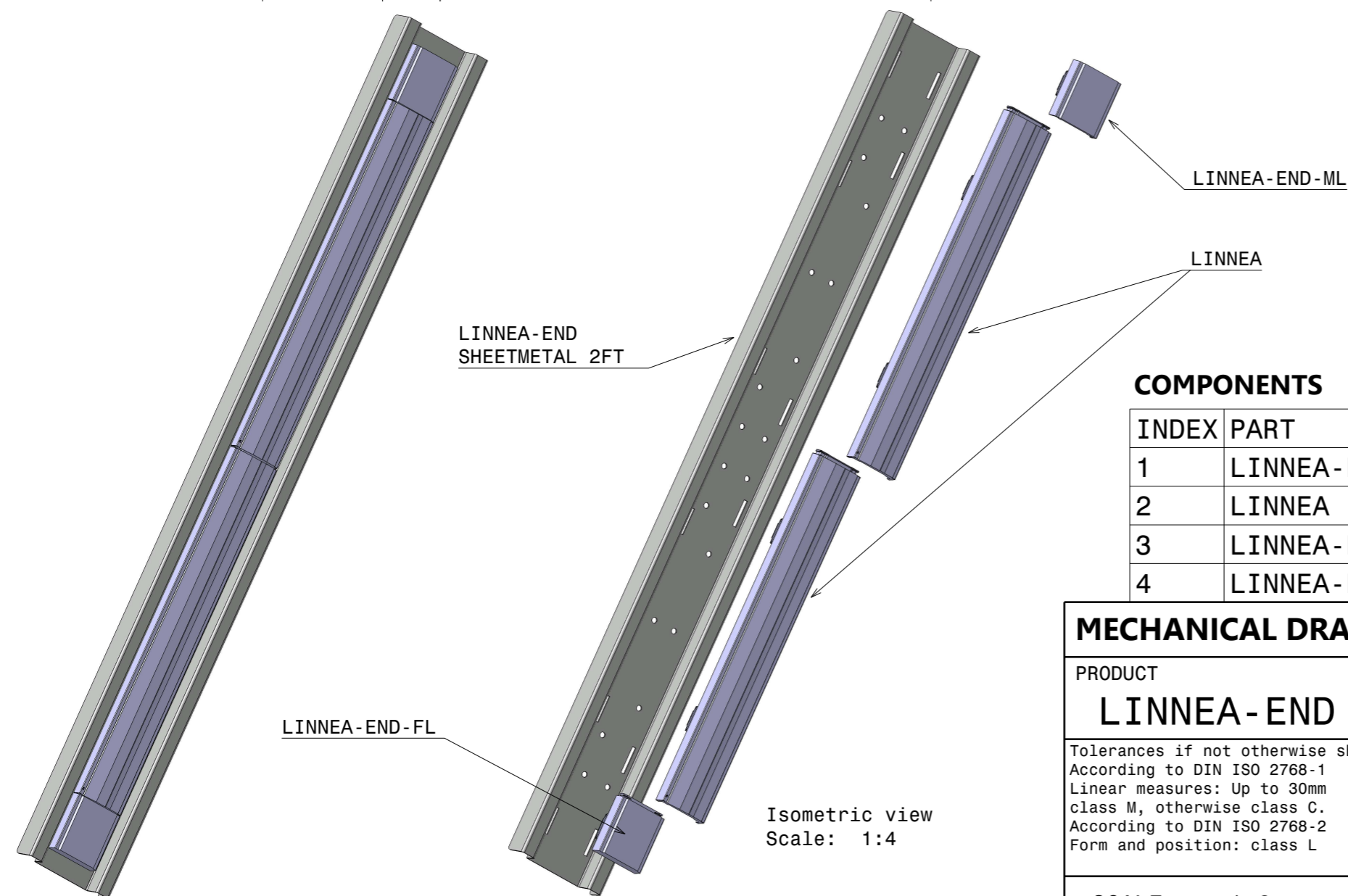
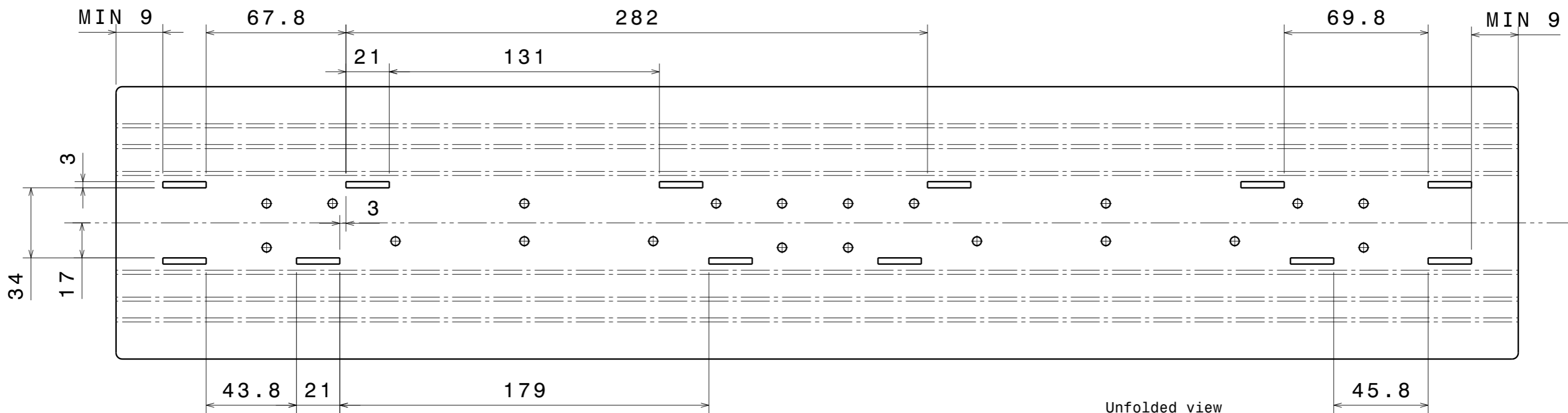
Dimension [mm]	PMMA / PC
>0-6	± 0.2
>6-22	± 0.25
>22-40	± 0.30
>40-90	± 0.44
>90-160	± 0.60
>160-200	± 0.70
>200-315	± 1.1
>315	± 1.3

PART	TYPE	MATERIAL	COLOR / COATING
F16380		PC	CLEAR

MECHANICAL DRAWING		LEDiL®
PRODUCT F16380_LINNEA-Z2T25-END-FL		
Tolerances if not otherwise shown According to DIN ISO 2768-1 Linear measures: Up to 30mm class M, otherwise class C. According to DIN ISO 2768-2 Form and position: class L	FIRST ANGLE PROJECTION: 	This drawing is the property of LEDiL Oy. It may not be reproduced, copied or communicated without a written agreement with LEDiL Oy.
SCALE 2:1	WEIGHT 7,5 g	A3 SHEET 1/2

Notes

- PCB or heatsink level.
- LED location.
- Ensure LED fitting from a product specific 3D model available from www.ledil.com.
- See installation details in page 2.



COMPONENTS

INDEX	PART	TYPE	MATERIAL	COLOR / COATING
1	LINNEA-END SHEETMETAL 2FT			
2	LINNEA		PC	clear
3	LINNEA-END-FL		PC	clear
4	LINNEA-END-ML		PC	clear

MECHANICAL DRAWING		LEDiL [®]
PRODUCT LINNEA-END SHEETMETAL CUT OUT		
Tolerances if not otherwise shown According to DIN ISO 2768-1 Linear measures: Up to 30mm class M, otherwise class C. According to DIN ISO 2768-2 Form and position: class L	FIRST ANGLE PROJECTION: 	This drawing is the property of LEDiL Oy. It may not be reproduced, copied or communicated without a written agreement with LEDiL Oy.
SCALE 1:2	WEIGHT -	