



Chipsmall Limited consists of a professional team with an average of over 10 year of expertise in the distribution of electronic components. Based in Hongkong, we have already established firm and mutual-benefit business relationships with customers from,Europe,America and south Asia,supplying obsolete and hard-to-find components to meet their specific needs.

With the principle of “Quality Parts,Customers Priority,Honest Operation,and Considerate Service”,our business mainly focus on the distribution of electronic components. Line cards we deal with include Microchip,ALPS,ROHM,Xilinx,Pulse,ON,Everlight and Freescale. Main products comprise IC,Modules,Potentiometer,IC Socket,Relay,Connector.Our parts cover such applications as commercial,industrial, and automotives areas.

We are looking forward to setting up business relationship with you and hope to provide you with the best service and solution. Let us make a better world for our industry!



Contact us

Tel: +86-755-8981 8866 Fax: +86-755-8427 6832

Email & Skype: info@chipsmall.com Web: www.chipsmall.com

Address: A1208, Overseas Decoration Building, #122 Zhenhua RD., Futian, Shenzhen, China



F2600 RFI Filters



Features:

- General Purpose “L-Type” Circuit Effective in Reducing Both Incoming and Outgoing Powerline Noise Levels in FCC “A” Applications
- Integral 5 X 20mm Single or Dual Fused IEC Connector
- Optional SST Switched IEC Connector
- All Series Available in Labor-Saving PC Mounted Case Style

Specifications:

Rated Voltage: 250VAC Maximum - 50/60 Hz

Rated Current: 115VAC 250VAC
 3A 3A
 6A 6A

Current Overload: 6X for 8 seconds

Hi-Pot Test (1 min):

Line to Ground 1500VAC
 Line to Line 1768VDC

Insulation Resistance: $9 \times 10^9 \Omega$ at 100VDC

Ambient Temperature: 40°C Max at rated current

Humidity Range: 0% to 95% R.H.

Termination:

- A: QC – Quick Connect
- F: Fused IEC
- J: Switched IEC
- P: PC – P.C. Board
- W: Dual Fused IEC

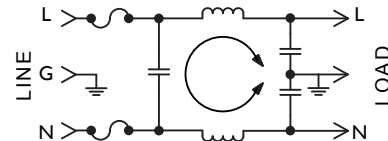
Maximum Leakage Current:

Each Line to Ground **F2600**
 115VAC, 60Hz: 0.25mA
 250VAC, 50Hz: 0.40mA

Agency Approvals:



F2600F Simplified Schematic

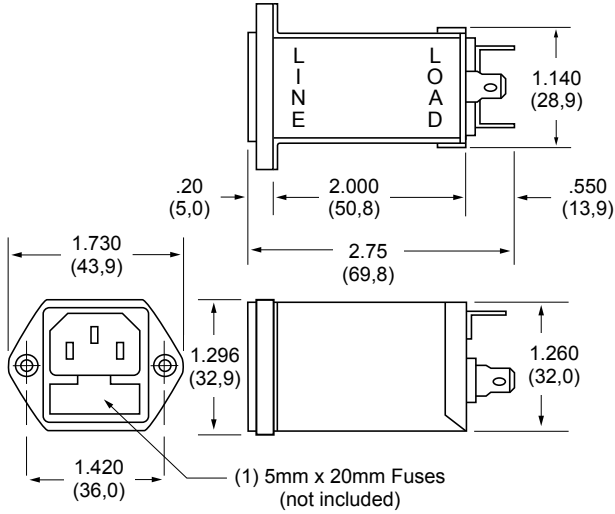


Nominal Current Rating	Part Number	Termination Line/Load	MINIMUM INSERTION LOSS - dB (50 ohm Circuit)						
			MODE	Frequency - MHz					
				.15	.50	1.0	5.0	10	30
3A	F2600FA03 F2600FP03	Fused IEC/QC Fused IEC/PC	Common	21	35	41	50	50	50
			Differential	8	18	24	40	50	40
6A	F2600FA06 F2600FP06	Fused IEC/QC Fused IEC/PC	Common	18	34	41	45	45	45
			Differential	8	18	24	40	50	50
3A	F2600WA03 F2600WP03	Dual Fused IEC/QC Dual Fused IEC/PC	Common	21	35	41	45	45	50
			Differential	8	18	24	40	50	40
6A	F2600WA06 F2600WP06	Dual Fused IEC/QC Dual Fused IEC/PC	Common	18	34	41	40	40	45
			Differential	8	18	24	40	50	50
3A	F2600JA03 F2600JP03	Switched IEC/QC Switched IEC/PC	Common	21	35	41	45	45	50
			Differential	8	18	24	40	50	40
6A	F2600JA06 F2600JP06	Switched IEC/QC Switched IEC/PC	Common	18	34	41	40	40	45
			Differential	8	18	24	40	50	50

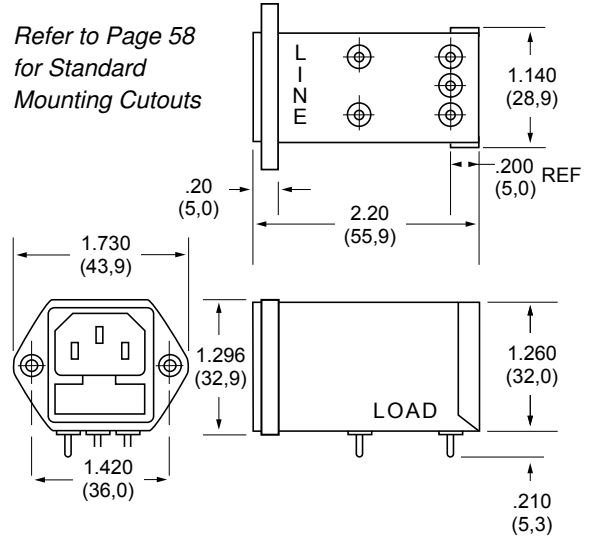
NOTE: Other combinations of terminals may be specified on special order.



F2600FA (3 and 6Amp) Dimensions

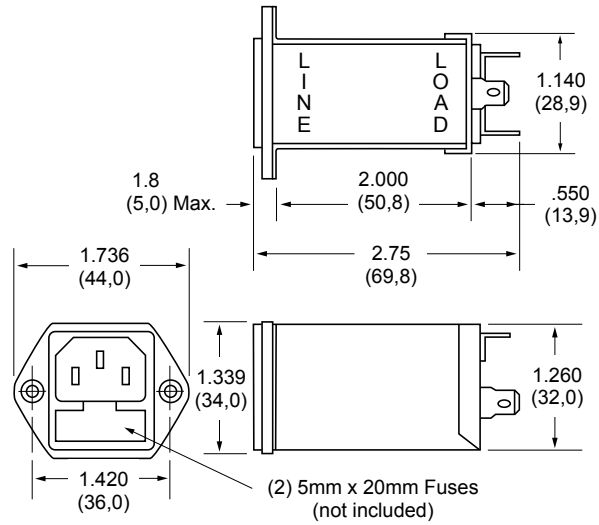
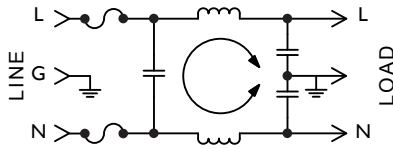


F2600FP (3 and 6Amp) Dimensions



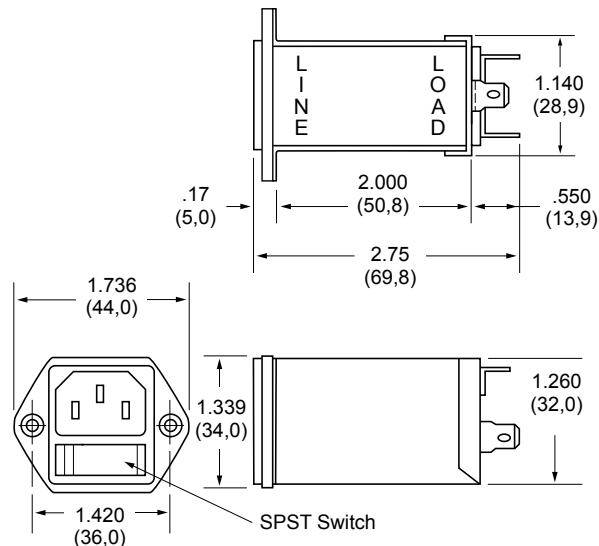
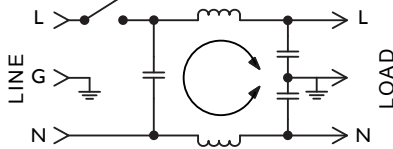
F2600WA (3 and 6Amp) Dimensions

F2600W Simplified Schematic



F2600JA (3 and 6Amp) Dimensions

F2600J Simplified Schematic

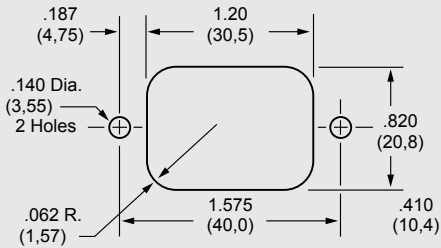


Dimensions are in inches and millimeters unless otherwise specified. Values in parentheses are metric equivalents.

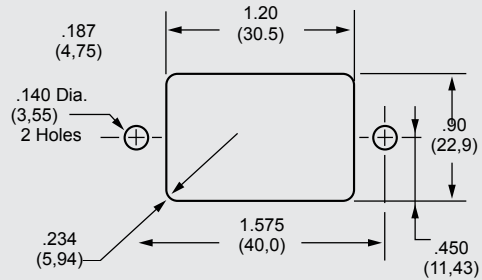


Standard Mounting Cutouts

F2199CA, F2200CA, F2300CA, F2400CA, F2500CA, F2700CA, F3100CA, F3200CA, F3400CA, F3500CA

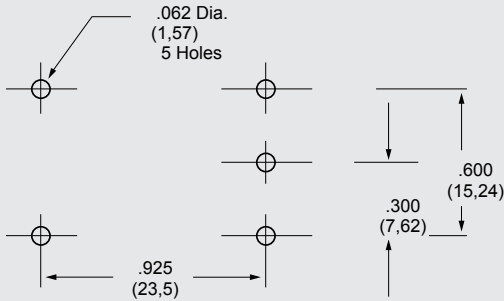


Back Mounting

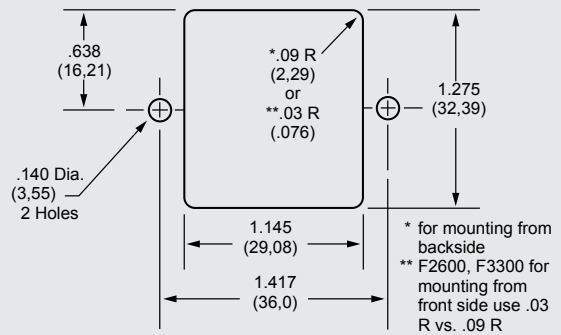


Front Mounting

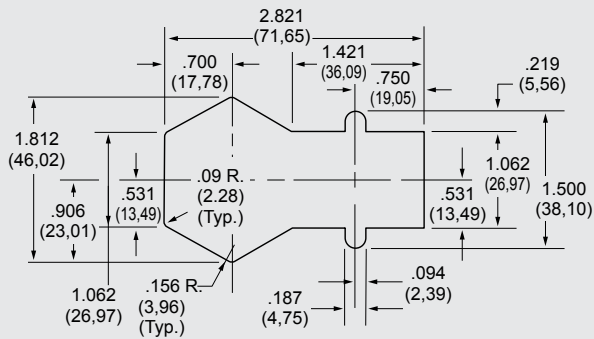
F2600FP, F3300FP



F2600, F3300



F2700FB



PE1 Screw Mount Series

