



Chipsmall Limited consists of a professional team with an average of over 10 year of expertise in the distribution of electronic components. Based in Hongkong, we have already established firm and mutual-benefit business relationships with customers from,Europe,America and south Asia,supplying obsolete and hard-to-find components to meet their specific needs.

With the principle of "Quality Parts,Customers Priority,Honest Operation,and Considerate Service",our business mainly focus on the distribution of electronic components. Line cards we deal with include Microchip,ALPS,ROHM,Xilinx,Pulse,ON,Everlight and Freescale. Main products comprise IC,Modules,Potentiometer,IC Socket,Relay,Connector.Our parts cover such applications as commercial,industrial, and automotives areas.

We are looking forward to setting up business relationship with you and hope to provide you with the best service and solution. Let us make a better world for our industry!



Contact us

Tel: +86-755-8981 8866 Fax: +86-755-8427 6832

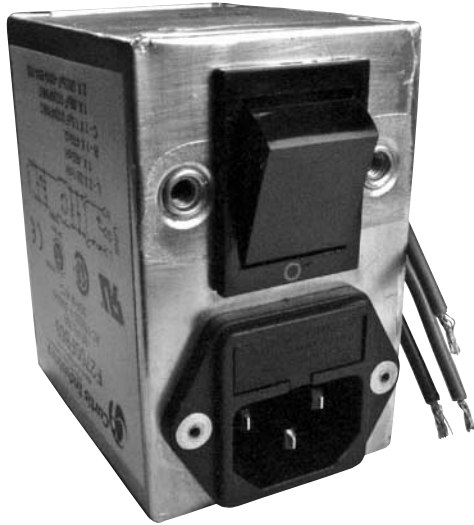
Email & Skype: info@chipsmall.com Web: www.chipsmall.com

Address: A1208, Overseas Decoration Building, #122 Zhenhua RD., Futian, Shenzhen, China



F2700 RFI Filters

General Purpose Filtered Modules



Features:

- Designed for FCC "B" and VDE "B" Switching Power Supply Applications
- Very High Inductance Design with Differential Mode Choke to Provide Improved Performance Below 100KHz
- Compact, Space-Efficient Package Available in 3 and 6Amp Ratings
- Also Available with Integral Fused IEC Connector and "ON/OFF" Power Switch

POWER ENTRY MODULES

Specifications:

Rated Voltage: 250VAC Maximum - 50/60 Hz

Rated Current:

115VAC	250VAC
3A	2A
6A	4A

Current Overload: 6X for 8 seconds

Hi-Pot Test (1 min):

Line to Ground	1500VAC
Line to Line	1768VDC

Insulation Resistance: $9 \times 10^9 \Omega$ at 100VDC

Ambient Temperature: 40°C Max. at rated current

Humidity Range: 0% to 95% R.H.

Termination:

- A: QC – Quick Connect
- B: Wire
- C: IEC Receptacle
- F: Fused IEC

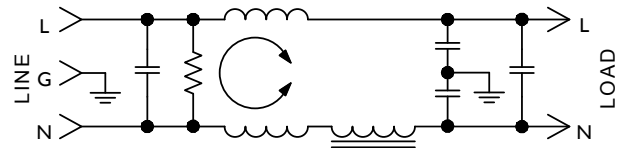
Maximum Leakage Current:

Each Line to Ground	F2700
115VAC, 60Hz:	0.25mA
250VAC, 50Hz:	0.40mA

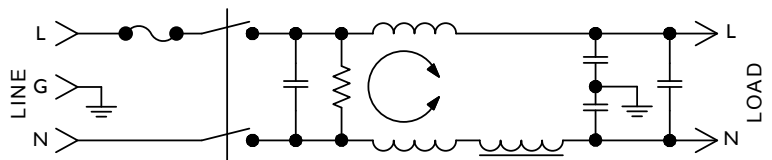
Agency Approvals:



F2700 Without Switch Simplified Schematic



F2700 Without Switch Simplified Schematic (3Amp Only)

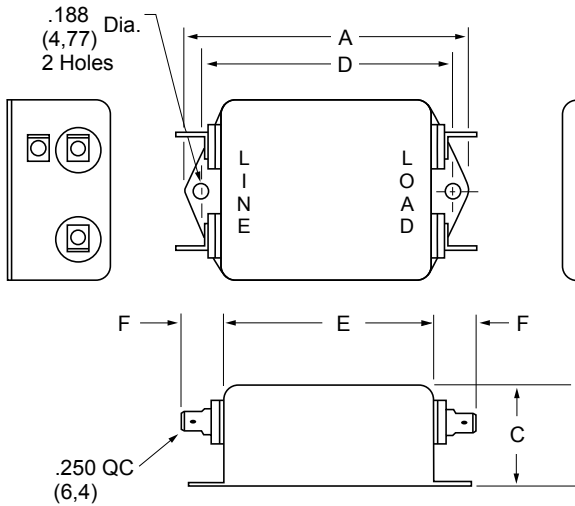


Nominal Current Rating	Part Number	Termination Line/Load	MINIMUM INSERTION LOSS - dB (50 ohm Circuit)										
			MODE	Frequency - MHz									
				.01	.02	.05	.15	.50	1.0	5.0	10	30	
3A	F2700AA03	QC/QC	Common	20	27	36	45	42	42	42	40	38	
	Differential	5	27	52	70	70	70	70	70	60	58		
3A	F2700CA03 F2700FB03	IEC/QC Fused IEC/Wire	Common	20	27	36	45	42	42	42	40	38	
	Differential	5	27	52	70	70	70	70	70	60	58		
6A	F2700AA06	QC/QC	Common	10	18	28	39	42	45	45	45	45	
	Differential	5	20	48	70	70	70	70	70	70	65		

NOTE: Other combinations of terminals may be specified on special order.

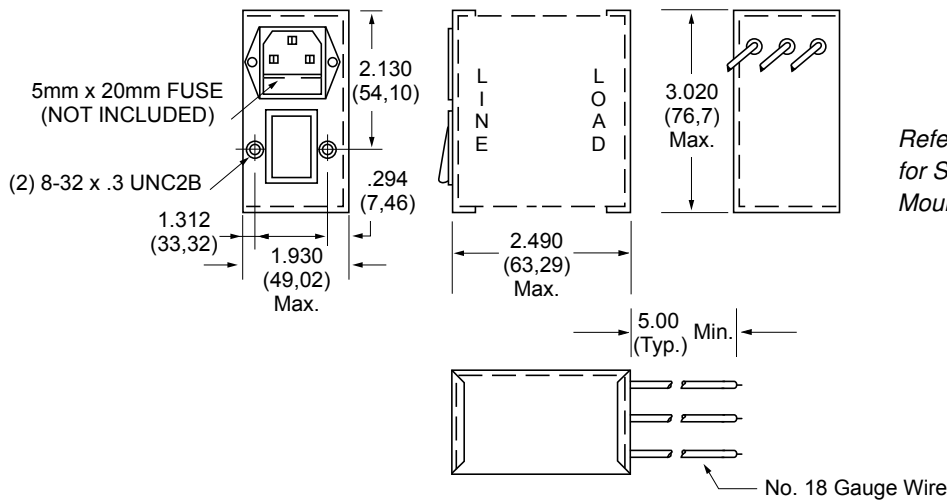


F2700AA (3 and 6Amp) Dimensions



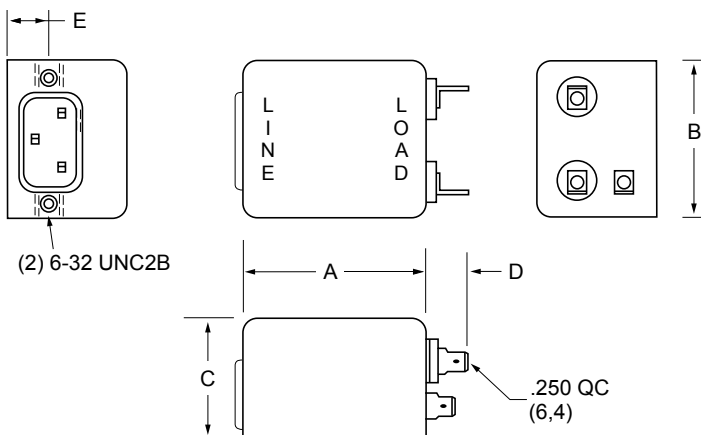
Amps	A	B	C	D	E	F
3A	3.315 (84,2)	2.000 (50,8)	1.500 (38,1)	2.940 (74,7)	2.500 (63,5)	.550 (14,0)
6A	4.440 (112,8)	2.250 (57,2)	1.750 (44,5)	4.063 (103,2)	3.620 (91,9)	.550 (14,0)

F2700FB03 (3Amp) Dimensions



Refer to Page 58
for Standard
Mounting Cutouts

F2700CA (3 and 6Amp) Dimensions



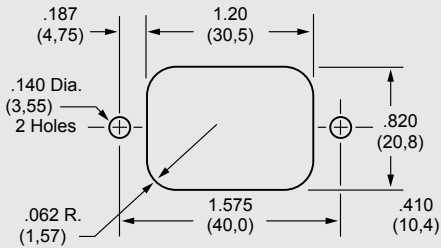
Refer to Page 58
for Standard
Mounting Cutouts

Amps	A	B	C	D	E
3A	2.880 (73,2)	2.125 (54,0)	1.719 (43,6)	.550 (14,0)	.575 (14,6)
6A	3.750 (95,2)	2.250 (57,1)	1.750 (44,4)	.550 (14,0)	.640 (16,29)

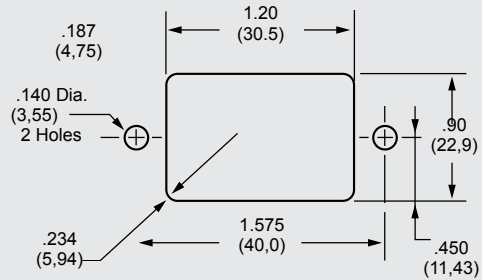


Standard Mounting Cutouts

F2199CA, F2200CA, F2300CA, F2400CA, F2500CA, F2700CA, F3100CA, F3200CA, F3400CA, F3500CA

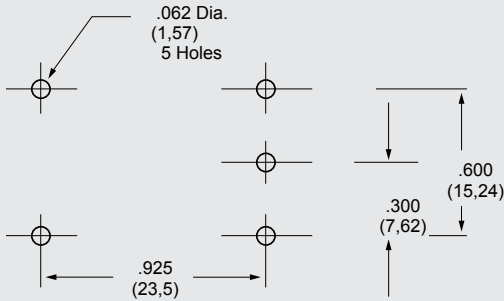


Back Mounting

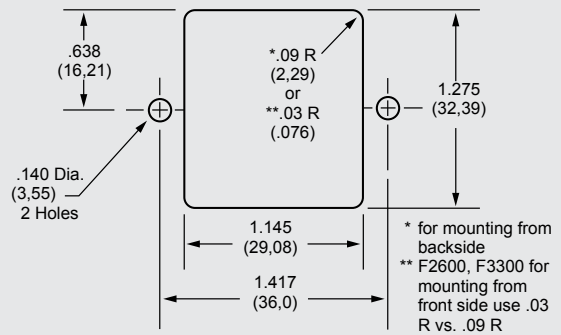


Front Mounting

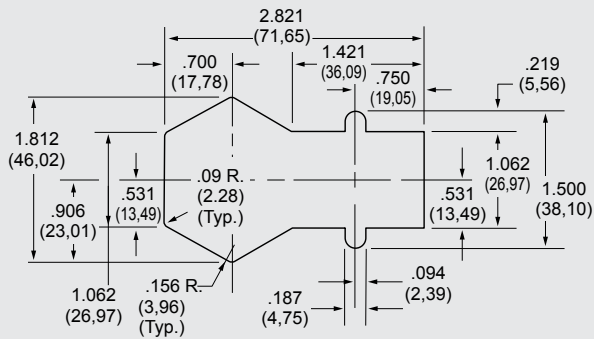
F2600FP, F3300FP



F2600, F3300



F2700FB



PE1 Screw Mount Series

