



Chipsmall Limited consists of a professional team with an average of over 10 year of expertise in the distribution of electronic components. Based in Hongkong, we have already established firm and mutual-benefit business relationships with customers from,Europe,America and south Asia,supplying obsolete and hard-to-find components to meet their specific needs.

With the principle of “Quality Parts,Customers Priority,Honest Operation,and Considerate Service”,our business mainly focus on the distribution of electronic components. Line cards we deal with include Microchip,ALPS,ROHM,Xilinx,Pulse,ON,Everlight and Freescale. Main products comprise IC,Modules,Potentiometer,IC Socket,Relay,Connector.Our parts cover such applications as commercial,industrial, and automotives areas.

We are looking forward to setting up business relationship with you and hope to provide you with the best service and solution. Let us make a better world for our industry!



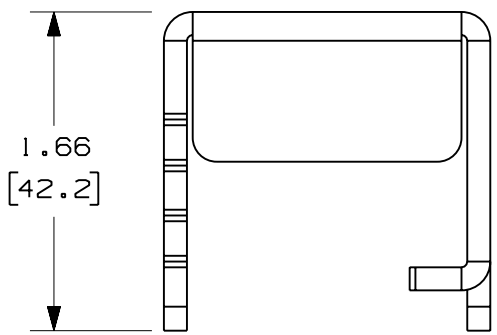
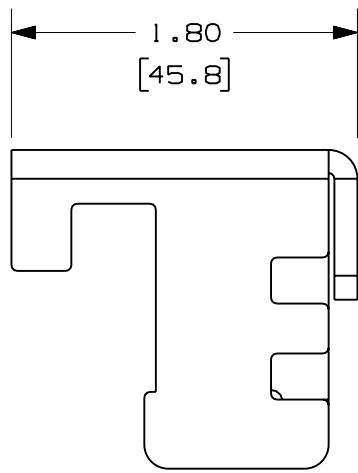
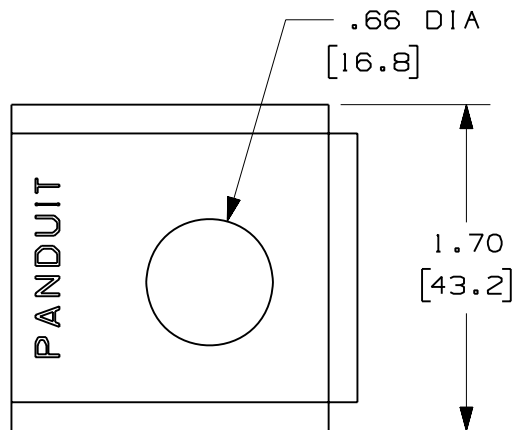
Contact us

Tel: +86-755-8981 8866 Fax: +86-755-8427 6832

Email & Skype: info@chipsmall.com Web: www.chipsmall.com

Address: A1208, Overseas Decoration Building, #122 Zhenhua RD., Futian, Shenzhen, China

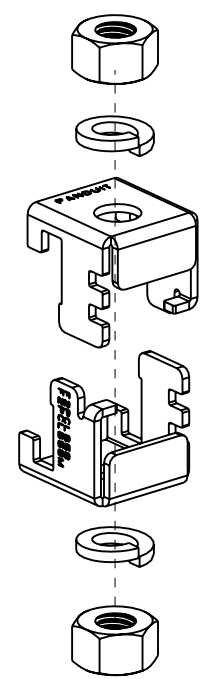




PANDUIT PART NUMBER	WEIGHT
F2PCLB58	0.68 LB/EACH (307g/EACH)

NOTES:

- 1. SEE CURRENT CATALOG FOR ADDITIONAL PART SUFFIXES TO INDICATE PACKAGE QUANTITY.
- 2. THE FIBER ROUTING 2-PIECE LADDER RACK BRACKET IS USED TO SUPPORT FIBER-DUCT AND FIBERRUNNER MOUNTING BRACKETS DIRECTLY FROM A 3/8"×1 1/2" OR A 3/8"×2" LADDER RACK STRINGER WITH THE USE OF 5/8" THREADED ROD (NOT INCLUDED).
- 3. THE FIBER ROUTING 2-PIECE LADDER RACK BRACKET INCLUDES:
TWO (2) BRACKET CLIPS,
TWO (2) 5/8" HELICAL SPRING LOCKWASHERS,
TWO (2) 5/8-11 HEAVY HEX NUTS.
- 4. FINISH COLOR: BLACK (EXCEPT FOR HARDWARE).
- 5. DIMENSIONS IN PARENTHESES ARE IN METRIC.



ENG. REF.: D38192BJ_DC/02 F2PCLB58

CAD FILENAME/LAYERS: F2PCLB58.pdf

REV	DATE	BY	CHK	DESCRIPTION	ECN	R	CUST	SUP	GMBH
3	1-14-08	MSO	RN	F. REMOVED ALL REFERENCES TO F2PCLB58M.	38192-07	RN	RN		
-	-----	---	--	E. REVISED GENERAL NOTES. D. REVISED DRAWING TITLE.	-----	--	--		
2	12-23-05	MSO	RN	C. REVISED CAD FILENAME. B. REV'D DWG. TO CUR. STAND.	38192-07	RN	RN		
1	1-25-02	JHNU	CVV	A. REVISED GENERAL NOTE 1.	38192-07	RN	RN		
R	11-9-01	JHNU	CVV	RELEASED TO PRODUCTION	38192-07	HIW	HIW		

PANDUIT CORP TINLEY PARK, ILLINOIS
 FIBER ROUTING 2-PIECE LADDER RACK BRACKET - 5/8 THREADED ROD (F2PCLB58)
 CUSTOMER DRAWING

UNLESS OTHERWISE SPECIFIED, DIMENSIONAL TOLERANCES ARE: (.X) ± (.XXX) (.XX) ± .03 (.8) ANGLES ±		UNLESS OTHERWISE SPECIFIED, ALL DIMENSIONS ARE GIVEN IN INCHES, THIRD ANGLE PROJECTION.	
DRAWN BY: JHNU	MAT'L: STEEL	SCALE: NONE	
DATE: 11-9-01		DRAWING NO.: 38192-07	DWG SIZE: A
CHK'D: CVV			