



Chipsmall Limited consists of a professional team with an average of over 10 year of expertise in the distribution of electronic components. Based in Hongkong, we have already established firm and mutual-benefit business relationships with customers from,Europe,America and south Asia,supplying obsolete and hard-to-find components to meet their specific needs.

With the principle of “Quality Parts,Customers Priority,Honest Operation,and Considerate Service”,our business mainly focus on the distribution of electronic components. Line cards we deal with include Microchip,ALPS,ROHM,Xilinx,Pulse,ON,Everlight and Freescale. Main products comprise IC,Modules,Potentiometer,IC Socket,Relay,Connector.Our parts cover such applications as commercial,industrial, and automotives areas.

We are looking forward to setting up business relationship with you and hope to provide you with the best service and solution. Let us make a better world for our industry!



Contact us

Tel: +86-755-8981 8866 Fax: +86-755-8427 6832

Email & Skype: info@chipsmall.com Web: www.chipsmall.com

Address: A1208, Overseas Decoration Building, #122 Zhenhua RD., Futian, Shenzhen, China



Series F3480/F3600



Specifications:

Rated Voltage: 480 VAC - 50/60 Hz
600 VAC - 50/60 Hz

Rated Current: 480 VAC - 9A to 608A
600 VAC - 8A to 600A

Current Overload: 6X for 8 seconds

Hi-Pot Test (1 min):	480VAC	600VAC
Line to Ground	2210 VDC	3150 VDC
Line to Line	2780 VDC	3150 VDC

Insulation Resistance: 1000 MΩ min. at 250 VDC

Ambient Temperature: 0°C to 40°C (32°F to 104°F)

Humidity Range: 0% to 95% R.H.

Termination:

- Wire
- Terminal Blocks
- Pressure Terminal Blocks

Weight: 3 to 65lbs (1.36 to 29.50kg)

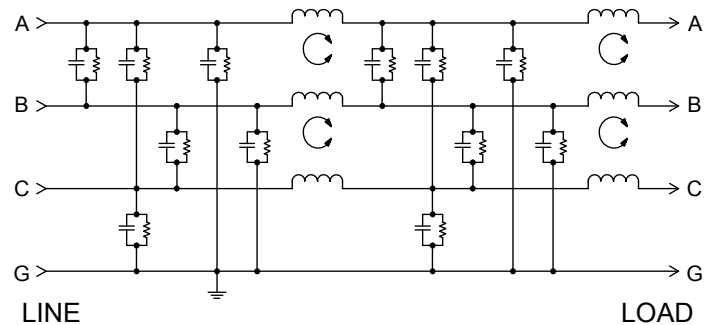
Agency Approvals:



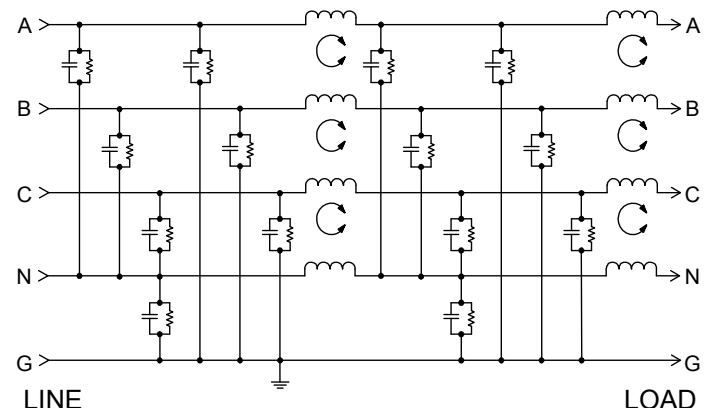
Designed to attenuate conducted interference in a small package providing excellent insertion loss, the F3480/F3600 series filters will provide effective EMC solutions up to 600A at 600VAC and power applications up to 360kVA. With effective noise suppression in the critical 150kHz-30MHz range, this advanced 2-stage filter line will support both Delta and Wye connected loads. Curtis three phase filters are designed to provide EMC solutions in many applications such as:

- Motor
- Motor Control Centers
- Facility Filters
- Uninterruptible Power Supplies
- Power Conditioning Units
- Laser Welders
- Automated Test Equipment
- Robotics
- CNC Machinery
- Elevators
- Industrial Ovens

F3480 Simplified Schematic



F3600 Simplified Schematic



3-Phase Power Line Filters

Ordering Information:

F3600 T 600

3-Phase Series:
 F3480 = 480 VAC
 F3600 = 600 VAC

T = Terminal Blocks
 B = Wire Leads
 A = .250 Q.C. Terminal
 (8 - 50A Only)

Current Rating 008 - 608
 (Refer to Charts)

F3480 Series - 480 VAC																
Rated Current (Amps)	Part Number	Maximum Leakage Each L/G (250V, 60Hz)	Minimum Insertion Loss (dB)							Dimensions (Inches)						
			Frequency (MHz)							A	B	C	D	E	F	G
608A	F3480T608	140mA	Frequency (MHz)							18.75	5.25	5.93	41.25	16.00	8.00	.28 x .40
	.15 .5 1 5 10 30															
	CM		60	70	70	60	45	30								
	F3480B608		DM	30	40	40	35	30	20	18.75	5.25	4.50	--			
322A	F3480T322	90mA	Frequency (MHz)							10.50	5.25	4.63	23.50	8.00	4.00	.28 x .40
	.15 .5 1 5 10 30															
	CM		60	70	70	65	55	45								
	F3480B322		DM	30	40	40	40	35	20	10.50	5.25	4.50	--			
185A	F3480T185	90mA	Frequency (MHz)							11.25	4.12	4.25	20.25	10.00	5.00	.20 x .30
	.15 .5 1 5 10 30															
	CM		60	70	70	65	55	45								
	F3480B185		DM	30	35	35	45	40	30	11.25	4.12	3.50	--			
135A	F3480T136	80mA	Frequency (MHz)							8.50	4.12	4.25	16.00	7.00	3.50	.20 x .30
	.15 .5 1 5 10 30															
	CM		60	65	70	60	50	40								
	F3480B136		DM	25	35	45	30	30	20	8.50	4.12	3.50	--			
112A	F3480T112	80mA	Frequency (MHz)							8.50	4.12	4.25	16.00	7.00	3.50	.20 x .30
	.15 .5 1 5 10 30															
	CM		60	65	70	60	50	40								
	F3480B112		DM	25	35	45	30	30	20	8.50	4.12	3.50	--			
80A	F3480T080	30mA	Frequency (MHz)							8.50	4.12	4.25	16.00	7.00	3.50	.20 x .30
	.15 .5 1 5 10 30															
	CM		60	70	70	65	55	45								
	F3480B080		DM	15	25	45	40	40	30	8.50	4.12	3.50	--			
60A	F3480T060	30mA	Frequency (MHz)							8.50	4.12	4.25	16.00	7.00	3.50	.20 x .30
	.15 .5 1 5 10 30															
	CM		60	70	70	65	55	45								
	F3480B060		DM	15	25	45	40	40	30	8.50	4.12	3.50	--			
50A	F3480A050	15mA	Frequency (MHz)							8.00	5.12	2.25	--	5.00	--	.19 x .25
	.15 .5 1 5 10 30															
	CM		60	75	80	75	70	50								
	F3480B050		DM	10	40	50	50	50	40	8.00	5.12	2.25	10.10			
	F3480T050		Frequency (MHz)													
32A	F3480A032	7mA	Frequency (MHz)							8.00	5.12	2.25	--	5.00	--	.19 x .25
	.15 .5 1 5 10 30															
	CM		60	70	80	75	65	45								
	F3480B032		DM	10	45	50	50	50	40	8.00	5.12	2.25	10.10			
	F3480T032		Frequency (MHz)													
16A	F3480A016	3mA	Frequency (MHz)							6.00	3.88	2.00	--	4.00	--	.16 x .20
	.15 .5 1 5 10 30															
	CM		50	70	80	75	65	50								
	F3480B016		DM	10	50	50	40	40	40	6.00	3.88	2.00	10.10			
	F3480T016		Frequency (MHz)													
9A	F3480A009	3mA	Frequency (MHz)							6.00	3.88	2.00	--	4.00	--	.16 x .20
	.15 .5 1 5 10 30															
	CM		60	80	80	70	60	50								
	F3480B009		DM	30	45	50	50	50	50	6.00	3.88	2.00	10.10			
	F3480T009		Frequency (MHz)													

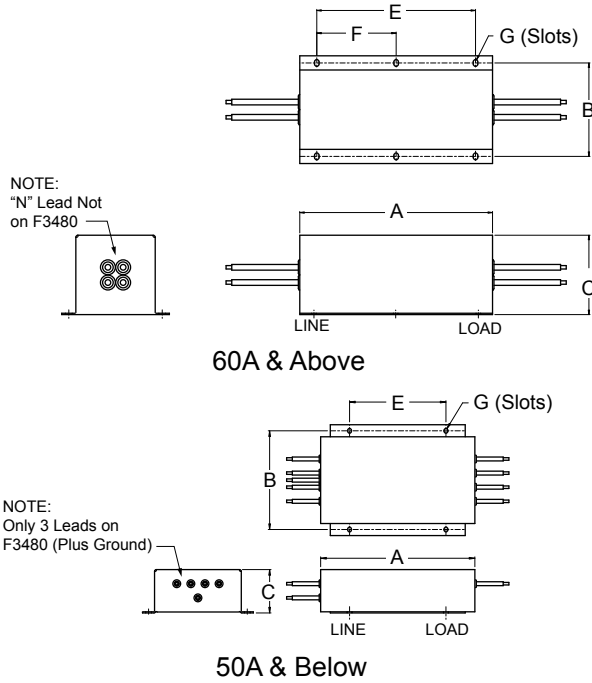
THREE-PHASE FILTERS

Dimensions are in inches and millimeters unless otherwise specified. Values in parentheses are metric equivalents.

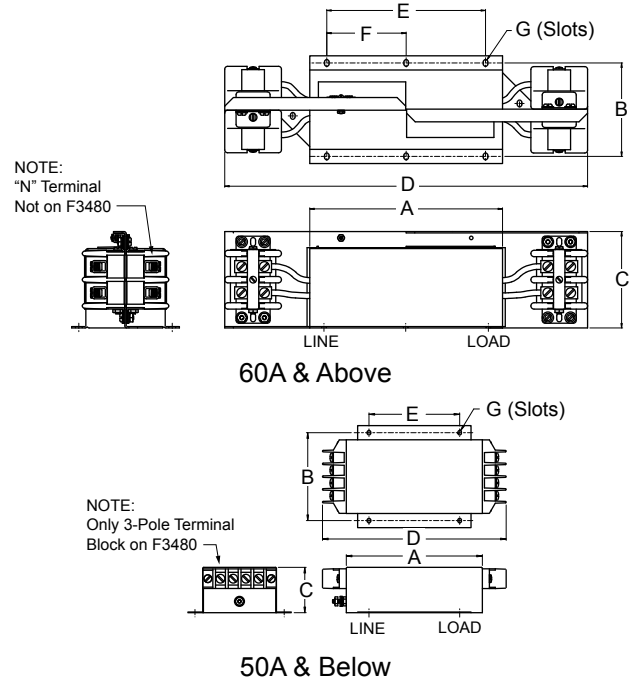


Series F3480/F3600

F3480B & F3600B Dimensions



F3480T & F3600T Dimensions



F3600 Series - 600 VAC

Rated Current (Amps)	Part Number	Maximum Leakage Each L/G (250V, 60Hz)	Minimum Insertion Loss (dB)							Dimensions (Inches)						
			Frequency (MHz)							A	B	C	D	E	F	G
600A	F3600T600	120mA	Frequency (MHz)							18.75	5.25	5.93	41.25	16.00	8.00	.28 x .40
			.15	.5	1	5	10	30								
	CM		60	60	50	50	40	30								
	F3600B600		DM	20	35	35	30	25	20	18.75	5.25	4.50	--			
300A	F3600T300	60mA	Frequency (MHz)							10.50	5.25	5.93	26.50	8.00	4.00	.28 x .40
			.15	.5	1	5	10	30								
	CM		60	60	50	50	40	30								
	F3600B300		DM	25	30	35	45	30	20	10.50	5.25	4.50	--			
180A	F3600T180	60mA	Frequency (MHz)							11.25	4.12	4.25	20.25	10.00	5.00	.20 x .30
			.15	.5	1	5	10	30								
	CM		60	60	60	60	50	40								
	F3600B180		DM	20	30	35	45	40	30	11.25	4.12	3.50	--			
80A	F3600T080	30mA	Frequency (MHz)							8.50	4.12	4.25	16.00	7.00	3.50	.20 x .30
			.15	.5	1	5	10	30								
	CM		60	60	60	60	50	40								
	F3600B080		DM	15	25	25	40	40	30	8.50	4.12	3.50	--			
45A	F3600A045	10mA	Frequency (MHz)							8.00	5.12	2.25	--	5.00	--	.19 x .25
			.15	.5	1	5	10	30								
	CM		60	60	80	70	60	45								
	F3600B045		DM	10	10	15	50	40	30	8.00	5.12	2.25	10.10			
	F3600T045															
25A	F3600A025	8mA	Frequency (MHz)							8.00	5.12	2.25	--	5.00	--	.19 x .25
			.15	.5	1	5	10	30								
	CM		60	60	80	70	60	45								
	F3600B025		DM	5	5	30	50	40	30	8.00	5.12	2.25	10.10			
	F3600T025															
16A	F3600A016	4mA	Frequency (MHz)							6.00	3.88	2.00	--	4.00	--	.16 x .20
			.15	.5	1	5	10	30								
	CM		50	70	80	70	60	45								
	F3600B016		DM	5	5	35	40	40	40	6.00	3.88	2.00	8.10			
	F3600T016															
8A	F3600A008	4mA	Frequency (MHz)							6.00	3.88	2.00	--	4.00	--	.16 x .20
			.15	.5	1	5	10	30								
	CM		60	70	80	70	60	45								
	F3600B008		DM	5	10	50	40	40	40	6.00	3.88	2.00	8.10			
	F3600T008															

