



Chipsmall Limited consists of a professional team with an average of over 10 year of expertise in the distribution of electronic components. Based in Hongkong, we have already established firm and mutual-benefit business relationships with customers from,Europe,America and south Asia,supplying obsolete and hard-to-find components to meet their specific needs.

With the principle of "Quality Parts,Customers Priority,Honest Operation,and Considerate Service",our business mainly focus on the distribution of electronic components. Line cards we deal with include Microchip,ALPS,ROHM,Xilinx,Pulse,ON,Everlight and Freescale. Main products comprise IC,Modules,Potentiometer,IC Socket,Relay,Connector.Our parts cover such applications as commercial,industrial, and automotives areas.

We are looking forward to setting up business relationship with you and hope to provide you with the best service and solution. Let us make a better world for our industry!



Contact us

Tel: +86-755-8981 8866 Fax: +86-755-8427 6832

Email & Skype: info@chipsmall.com Web: www.chipsmall.com

Address: A1208, Overseas Decoration Building, #122 Zhenhua RD., Futian, Shenzhen, China



Safety Light Curtain

F3SG-RA

Advanced Safety Light Curtain in Rugged, IP67 Rated Housing

- Rugged, IP67 rated housing resists washdown
- Space-saving slim profile of 35x35 mm (1.37 in.)
- Scan QR code with smart phone for local language support and troubleshooting guide
- Built-in muting; requires no external muting controller
- All models designed for global use. PNP/NPN output selection by DIP switch
- Resolution: 14 mm (finger protection) and 30 mm (hand and arm protection) models
- Cascaded designs possible: 3 segments, up to 255 beams
- “Smart click” 1/8 turn quick connect M12 cables: for fast installation and proper torque to ensure IP67 connection
- 14mm resolution up to 10.0 m (32 ft.) range in 160 to 2080 mm (6.3 to 81.9 inch) protective heights
- 30mm resolution up to 20.0 m (65 ft.) range in 190 to 2510 mm (7.3 to 98.7 inch) protective heights



Online Multilanguage Support



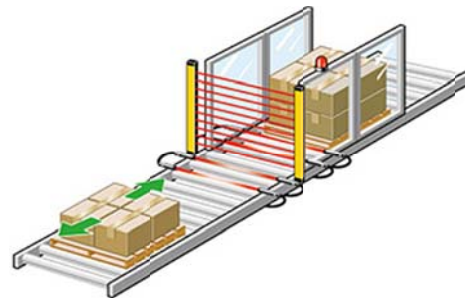
To access troubleshooting support for safety light curtain errors in your local language use your tablet or smartphone to scan a QR code sticker that can be applied to the machine.

Also accessible by computer, operators can check the error details in 8 languages and download manuals from a dedicated website.

The interactive diagnostics ask about error indicator color, indicator flashing frequency and DIP switch settings to thoroughly analyze the cause of an error.

Languages include English, Spanish, French, Chinese, Korean, Japanese, German, and Italian.

Built-in Muting and Blanking



Built-in muting to pass through materials into the hazard zone requires no external muting controller. The blanking function disables specific beams of the safety light curtain. A warning zone can be set to alert people before they enter a danger zone using single or series-connected units when horizontally mounted.

Reduced Wiring Work



“Smart click” 1/8 turn quick-connect M12 cables allow fast installation and proper torque to ensure IP67 connection.

Ordering Information

Main Units

Safety Light Curtain

Finger protection


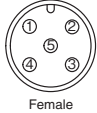

Model	Number of beams	Protective height (mm)
F3SG-4RA0160-14	15	160
F3SG-4RA0240-14	23	240
F3SG-4RA0320-14	31	320
F3SG-4RA0400-14	39	400
F3SG-4RA0480-14	47	480
F3SG-4RA0560-14	55	560
F3SG-4RA0640-14	63	640
F3SG-4RA0720-14	71	720
F3SG-4RA0800-14	79	800
F3SG-4RA0880-14	87	880
F3SG-4RA0960-14	95	960
F3SG-4RA1040-14	103	1,040
F3SG-4RA1120-14	111	1,120
F3SG-4RA1200-14	119	1,200
F3SG-4RA1280-14	127	1,280
F3SG-4RA1360-14	135	1,360
F3SG-4RA1440-14	143	1,440
F3SG-4RA1520-14	151	1,520
F3SG-4RA1600-14	159	1,600
F3SG-4RA1680-14	167	1,680
F3SG-4RA1760-14	175	1,760
F3SG-4RA1840-14	183	1,840
F3SG-4RA1920-14	191	1,920
F3SG-4RA2000-14	199	2,000
F3SG-4RA2080-14	207	2,080

Hand and arm protection

Model	Number of beams	Protective height (mm)
F3SG-4RA0190-30	8	190
F3SG-4RA0270-30	12	270
F3SG-4RA0350-30	16	350
F3SG-4RA0430-30	20	430
F3SG-4RA0510-30	24	510
F3SG-4RA0590-30	28	590
F3SG-4RA0670-30	32	670
F3SG-4RA0750-30	36	750
F3SG-4RA0830-30	40	830
F3SG-4RA0910-30	44	910
F3SG-4RA0990-30	48	990
F3SG-4RA1070-30	52	1,070
F3SG-4RA1150-30	56	1,150
F3SG-4RA1230-30	60	1,230
F3SG-4RA1310-30	64	1,310
F3SG-4RA1390-30	68	1,390
F3SG-4RA1470-30	72	1,470
F3SG-4RA1550-30	76	1,550
F3SG-4RA1630-30	80	1,630
F3SG-4RA1710-30	84	1,710
F3SG-4RA1790-30	88	1,790
F3SG-4RA1870-30	92	1,870
F3SG-4RA1950-30	96	1,950
F3SG-4RA2030-30	100	2,030
F3SG-4RA2110-30	104	2,110
F3SG-4RA2190-30	108	2,190
F3SG-4RA2270-30	112	2,270
F3SG-4RA2350-30	116	2,350
F3SG-4RA2430-30	120	2,430
F3SG-4RA2510-30	124	2,510


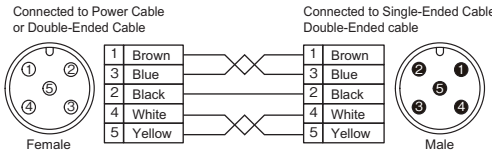
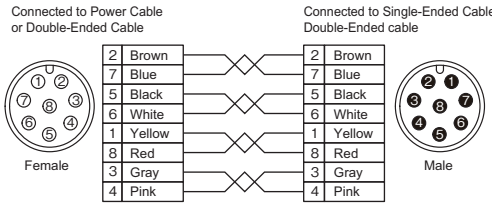
Accessories (Sold separately)

Single-ended Connector Cable


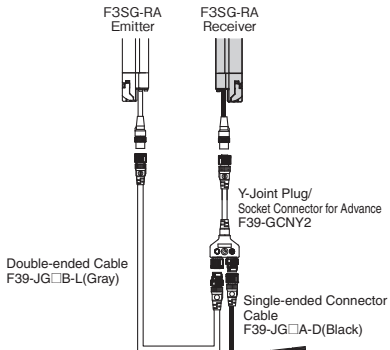
Appearance	Type	Cable length	Specifications	Model																							
	For emitter M12 connector (5-pin), 5 wires Color: Gray	3 m	 <table border="1"> <tr><td>1</td><td>+24 VDC</td><td>Brown</td></tr> <tr><td>2</td><td>TEST</td><td>Black</td></tr> <tr><td>3</td><td>0 VDC</td><td>Blue</td></tr> <tr><td>4</td><td>Not used</td><td>White</td></tr> <tr><td>5</td><td>Not used</td><td>Yellow</td></tr> </table>	1	+24 VDC	Brown	2	TEST	Black	3	0 VDC	Blue	4	Not used	White	5	Not used	Yellow	F39-JG3A-L								
		1		+24 VDC	Brown																						
		2		TEST	Black																						
		3		0 VDC	Blue																						
		4		Not used	White																						
	5	Not used	Yellow																								
	7 m	F39-JG7A-L																									
	10 m	F39-JG10A-L																									
	15 m	F39-JG15A-L																									
	20 m	F39-JG20A-L																									
For receiver M12 connector (8-pin), 8 wires Color: Black	3 m	 <table border="1"> <tr><td>1</td><td>RESET</td><td>Yellow</td></tr> <tr><td>2</td><td>+24 VDC</td><td>Brown</td></tr> <tr><td>3</td><td>MUTE A</td><td>Gray</td></tr> <tr><td>4</td><td>MUTE B</td><td>Pink</td></tr> <tr><td>5</td><td>OSSD 1</td><td>Black</td></tr> <tr><td>6</td><td>OSSD 2</td><td>White</td></tr> <tr><td>7</td><td>0 VDC</td><td>Blue</td></tr> <tr><td>8</td><td>AUX</td><td>Red</td></tr> </table>	1	RESET	Yellow	2	+24 VDC	Brown	3	MUTE A	Gray	4	MUTE B	Pink	5	OSSD 1	Black	6	OSSD 2	White	7	0 VDC	Blue	8	AUX	Red	F39-JG3A-D
	1		RESET	Yellow																							
	2		+24 VDC	Brown																							
	3		MUTE A	Gray																							
	4		MUTE B	Pink																							
5	OSSD 1	Black																									
6	OSSD 2	White																									
7	0 VDC	Blue																									
8	AUX	Red																									
7 m	F39-JG7A-D																										
10 m	F39-JG10A-D																										
15 m	F39-JG15A-D																										
20 m	F39-JG20A-D																										

Double-ended Cable


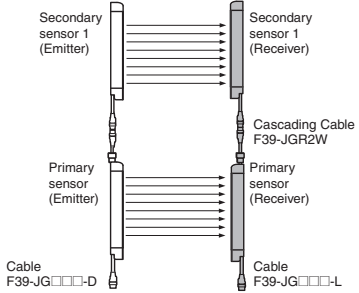
For cable extension and simple wiring

Appearance	Type	Cable length	Specifications	Model
	For emitter M12 connector (5-pin) on both ends Color: Gray	0.5 m		F39-JGR5B-L
		1 m		F39-JG1B-L
		3 m		F39-JG3B-L
		5 m		F39-JG5B-L
		7 m		F39-JG7B-L
		10 m		F39-JG10B-L
		15 m		F39-JG15B-L
	20 m	F39-JG20B-L		
	For receiver M12 connector (8-pin) on both ends Color: Black	0.5 m		F39-JGR5B-D
		1 m		F39-JG1B-D
3 m		F39-JG3B-D		
5 m		F39-JG5B-D		
7 m		F39-JG7B-D		
10 m	F39-JG10B-D			
15 m	F39-JG15B-D			
20 m	F39-JG20B-D			

Y-Joint Plug/Socket Connector for Advance type F3SG-RA





Appearance	Type	Cable length	Specifications	Model
	M12 connectors. Used for reduced wiring.	0.5 m		F39-GCNY2

Cascading Cable (Two cables per set, for emitter and receiver)

Appearance	Type	Cable length	Specifications	Model
	Emitter cable: Cap (5-pin), M12 connector (5-pin) Receiver cable: Cap (8-pin), M12 connector (8-pin)	0.2 m		F39-JGR2W

F3SG-RA

Sensor Mounting Brackets

Appearance	Specification	Application	Model
	Standard Fixed Bracket	Bracket to mount the F3SG-R. Side mounting and backside mounting possible. (Included in the F3SG-R product package. See *1 below for the number of included brackets.)	F39-LGF
	Standard Adjustable Bracket	Bracket to mount the F3SG-R. Beam alignment after mounting possible. The angle adjustment range is $\pm 15^\circ$. Side mounting and backside mounting possible. (Sold separately. See *1 below for the number of required brackets.)	F39-LGA
	Top/Bottom Adjustable Bracket *2	Bracket to mount the F3SG-R. Use this bracket at the top and bottom positions of the F3SG-R. Beam alignment after mounting possible. The angle adjustment range is $\pm 22.5^\circ$. Side mounting and backside mounting possible. (Sold separately. 4 brackets per set.)	F39-LGTB
	Top/Bottom Adjustable Bracket *2 (For user-made mounting part)	Top/Bottom Adjustable Bracket without a bracket to mount to the wall. Use the user's own wall mounting part to suit the machine. (Sold separately. 4 brackets per set.)	F39-LGTB-1

*1 Two brackets per set

[for F3SG-□RA□□□□-14]

- Protective height of 0160 to 1200: 2 sets, Protective height of 1280 to 2080: 3 sets




[for F3SG-□RA□□□□-30]

- Protective height of 0190 to 1230: 2 sets, Protective height of 1310 to 2270: 3 sets, Protective height of 2350 to 2510: 4 sets


*2 Top/Bottom Adjustable Bracket cannot be used with the Standard Fixed Bracket. Use with the Standard Adjustable Bracket.

(See *1 for the number of required brackets.)


Interface units and configuration tool SD Manager 2

Appearance	Type	Specifications	Model
	SD Manager2	The Configuration Tool SD Manager 2 is available to download from our website at http://www.omron247.com/safety_light_curtain/f3sg_ra/Software_tools/SD_Manager_2_Configurator . To change the settings of the F3SG-RA using SD Manager 2, it is necessary to set the receiver's two DIP switches No. 8 to ON.	-
	Interface Unit	F39-GIF interface unit to connect the F3SG-RA receiver to a USB port of the PC	F39-GIF
	Bluetooth unit	F39-BT bluetooth unit to enable bluetooth on the F3SG-RA	F39-BT

Lamp

Appearance	Type	Specifications	Model
	Lamp unit	The lamp unit can be connected to a receiver and turned ON based on the operation of F3SG-RA.	F39-LP
	Bluetooth + Lamp unit	The lamp can indicate red, orange, and green colors, to which three different states can be assigned.	F39-BTLP


End Cap

Appearance	Specifications	Model
	Housing color: Black For both emitter and receiver (Attached to the F3SG-R. The End Cap can be purchased if lost.)	F39-CNM

Spatter Protection Cover(Two covers per set, for emitter and receiver)

Spatter Protection Covers include mounting brackets.

For Safety Light Curtain models of the protective height of 2,000 mm or longer, use two Spatter Protection Covers of different lengths.

Appearance	Safety Light Curtain Model		Model
	Finger protection	Hand and arm protection	
	F3SG-□RA0160-14	F3SG-□RA0190-30	F39-HGA0200
	F3SG-□RA0240-14	F3SG-□RA0270-30	F39-HGA0280
	F3SG-□RA0320-14	F3SG-□RA0350-30	F39-HGA0360
	F3SG-□RA0400-14	F3SG-□RA0430-30	F39-HGA0440
	F3SG-□RA0480-14	F3SG-□RA0510-30	F39-HGA0520
	F3SG-□RA0560-14	F3SG-□RA0590-30	F39-HGA0600
	F3SG-□RA0640-14	F3SG-□RA0670-30	F39-HGA0680
	F3SG-□RA0720-14	F3SG-□RA0750-30	F39-HGA0760
	F3SG-□RA0800-14	F3SG-□RA0830-30	F39-HGA0840
	F3SG-□RA0880-14	F3SG-□RA0910-30	F39-HGA0920
	F3SG-□RA0960-14	F3SG-□RA0990-30	F39-HGA1000
	F3SG-□RA1040-14	F3SG-□RA1070-30	F39-HGA1080
	F3SG-□RA1120-14	F3SG-□RA1150-30	F39-HGA1160
	F3SG-□RA1200-14	F3SG-□RA1230-30	F39-HGA1240
	F3SG-□RA1280-14	F3SG-□RA1310-30	F39-HGA1320
	F3SG-□RA1360-14	F3SG-□RA1390-30	F39-HGA1400
	F3SG-□RA1440-14	F3SG-□RA1470-30	F39-HGA1480
	F3SG-□RA1520-14	F3SG-□RA1550-30	F39-HGA1560
	F3SG-□RA1600-14	F3SG-□RA1630-30	F39-HGA1640
	F3SG-□RA1680-14	F3SG-□RA1710-30	F39-HGA1720
	F3SG-□RA1760-14	F3SG-□RA1790-30	F39-HGA1800
	F3SG-□RA1840-14	F3SG-□RA1870-30	F39-HGA1880
	F3SG-□RA1920-14	F3SG-□RA1950-30	F39-HGA1960
	F3SG-□RA2000-14	F3SG-□RA2030-30	F39-HGA1480 F39-HGA0550
	F3SG-□RA2080-14	F3SG-□RA2110-30	F39-HGA1560 F39-HGA0550
	-	F3SG-□RA2190-30	F39-HGA1640 F39-HGA0550
	-	F3SG-□RA2270-30	F39-HGA1720 F39-HGA0550
	-	F3SG-□RA2350-30	F39-HGA1800 F39-HGA0550
-	F3SG-□RA2430-30	F39-HGA1880 F39-HGA0550	
-	F3SG-□RA2510-30	F39-HGA1960 F39-HGA0550	

Note: The operating range of the Safety Light Curtain attached with the product is 10% shorter than the rating.

Test Rod

Diameter	Model
14 mm dia.	STI-TO14
30 mm dia.	STI-TO30

Ratings and Specifications

Main unit

		F3SG-4RA□□□□-14	F3SG-4RA□□□□-30	
Type of ESPE (IEC 61496-1)	Type 4	F3SG-4RA□□□□-14/-30		
Performance	Object Resolution (Detection Capability)	Opaque objects		
	Beam Gap	14-mm dia.	30-mm dia.	
	Number of Beams	10 mm	20 mm	
	Lens Size	15 to 207	8 to 124	
	Protective Height	5.2 × 3.4 (W × H) mm	7-mm dia.	
	Operating Range	Long	160 to 2080 mm (6.3 to 81.9 inch)	190 to 2510 mm (7.3 to 98.7 inch)
		Short	0.3 to 10.0 m (1 to 32 ft.)	0.3 to 20.0 m (1 to 65 ft.)
	Response Time	ON to OFF	0.3 to 3.0 m (1 to 10 ft.)	0.3 to 7.0 m (1 to 23 ft.)
		OFF to ON	Normal mode: 8 to 18 ms max. *1 Slow mode: 16 to 36 ms max. *1 *2	
			40 to 90 ms max. *1	
	Effective Aperture Angle (EAA) (IEC 61496-2)	Type 4	±2.5° max., emitter and receiver at operating range of 3 m or greater	
Light Source	Infrared LEDs, Wavelength: 870 nm			
Startup Waiting Time	2 s max.			
Electrical	Power Supply Voltage (Vs)	SELV/PELV 24 VDC±20% (ripple p-p 10% max.)		
	Current Consumption	Refer to page 8.		
	Safety Outputs (OSSD)	Two PNP or NPN transistor outputs (PNP or NPN is selectable by DIP Switch.) Load current of 300 mA max., Residual voltage of 2 V max. (except for voltage drop due to cable extension), Capacitive load of 1 μF max., Inductive load of 2.2 H max. *1 Leakage current of 1 mA max. (PNP), 2 mA max. (NPN) *2		
	Auxiliary Output	One PNP or NPN transistor output (PNP or NPN is selectable by DIP Switch.) Load current of 100 mA max., Residual voltage of 2 V max.		
	Output Operation Mode	Safety Output	Light-ON (Safety output is enabled when the receiver receives an emitting signal.)	
		Auxiliary Output	Muting or Override output (default) (Configurable by Configuration Tool)	
	Input Voltage	ON Voltage	TEST: 24 V Active: 9 V to Vs (sink current 3 mA max.) * 0 V Active: 0 to 3 V (source current 3 mA max.) MUTE A/B: PNP: Vs to Vs-3 V (sink current 3 mA max.) * NPN: 0 to 3 V (source current 3 mA max.) RESET: PNP: Vs to Vs-3 V (sink current 5 mA max.) * NPN: 0 to 3 V (source current 5 mA max.)	
		OFF Voltage	TEST: 24 V Active : 0 to 1.5 V or open 0 V Active : 9 V to Vs or open MUTE A/B, RESET: PNP: 0 to 1/2 Vs, or open * NPN: 1/2 Vs to Vs, or open *	
	Overvoltage Category (IEC 60664-1)	II		
	Indicators	Refer to page 10.		
	Protective Circuit	Output short protection, Power supply reverse polarity protection		
Insulation Resistance	20 MΩ or higher (500 VDC megger)			
Dielectric Strength	1,000 VAC, 50/60 Hz (1 min)			
Functional	Mutual Interference Prevention (Scan Code)	This function prevents mutual interference in up to two F3SG-RA systems.		
	Cascade Connection	Number of cascaded segments: 3 max. Total number of beams: 255 max. Cable lengths between sensors: 10 m max.		
	Test Function	Self-test (at power-on, and during operation) External test (light emission stop function by test input)		
	Safety-Related Functions	Interlock External device monitoring (EDM) Pre-reset Fixed blanking/Floating blanking Reduced resolution Muting/Override Scan code selection PNP/NPN selection Response time adjustment		

			F3SG-4RA□□□□-14	F3SG-4RA□□□□-30
Environmental	Ambient Temperature	Operating	-10 to 55°C (14 to 131°F) (non-icing)	
		Storage	-25 to 70°C (-13 to 158°F)	
	Ambient Humidity	Operating	35% to 85% (non-condensing)	
		Storage	35% to 95%	
	Ambient Illuminance		Incandescent lamp: 3,000 lx max. on receiver surface Sunlight: 10,000 lx max. on receiver surface	
	Degree of Protection (IEC 60529)		IP65 and IP67	
	Vibration Resistance (IEC 61496-1)		10 to 55 Hz, Multiple amplitude of 0.7 mm, 20 sweeps for all 3 axes	
Shock Resistance (IEC 61496-1)		100 m/s ² , 1000 shocks for all 3 axes		
Pollution Degree (IEC 60664-1)		Pollution Degree 3		
Connections	Power cable	Type of Connection	M12 connectors: 5-pin emitter and 8-pin receiver, IP67 rated when mated, Cables prewired to the sensors	
		Number of Wires	Emitter: 5, Receiver: 8	
		Cable Length	0.3 m	
		Cable Diameter	6 mm	
		Minimum Bending Radius	R5 mm	
	Cascading cable	Type of Connection	M12 connectors: 5-pin emitter and 8-pin receiver, IP67 rated when mated	
		Number of Wires	Emitter: 5, Receiver: 8	
		Cable Length	0.2 m	
		Cable Diameter	6 mm	
	Extension cable - Single-ended cable - Double-ended cable	Type of Connection	M12 connectors: 5-pin emitter and 8-pin receiver, IP67 rated when mated	
		Number of Wires	Emitter: 5, Receiver: 8	
		Cable Length	Refer to page 3.	
		Cable Diameter	6.6 mm	
Minimum Bending Radius		R36 mm		
Extension of Power Cable		100 m max.		
Material	Material		Housing: Aluminum Cap: PBT Front window: PMMA Cable: Oil resistant PVC Mounting Bracket: ZDC2 FE plate: SUS	
	Weight (packaged)		Refer to page 8.	
	Included Accessories		Safety Precautions, Quick Installation Manual, Standard Fixed Bracket*, Troubleshooting Guide Sticker, Warning Zone Label * The quantity of Standard Fixed Brackets included varies depending on the protective height. [F3SG-□RA□□□□-14] - Protective height of 0160 to 1200: 2 sets - Protective height of 1280 to 2080: 3 sets [F3SG-□RA□□□□-30] - Protective height of 0190 to 1230: 2 sets - Protective height of 1310 to 2270: 3 sets - Protective height of 2350 to 2510: 4 sets	
Conformity	Conforming standards		Refer to page 19.	
	Type of ESPE (IEC 61496-1)		Type 4	
	Performance Level (PL)/Safety category	Type 4	PL e/Category 4 (EN ISO 13849-1:2008)	
	PFHd		1.1 × 10 ⁻⁸ (IEC 61508)	
	Proof test interval T _M		Every 20 years (IEC 61508)	
	SFF		99% (IEC 61508)	
	HFT		1 (IEC 61508)	
Classification		Type B (IEC 61508-2)		

F3SG-RA

List of Models/Response Time/Current Consumption/Weight

F3SG-4RA□□□□-14

Model	Number of Beams	Protective Height [mm]	Response Time [ms]			Current Consumption [mA]		Weight [kg] ²
			ON → OFF ¹	OFF (Synchronized) → ON	OFF (Not synchronized) → ON	Emitter	Receiver	
F3SG-4RA0160-14	15	160	8	40	140	40	75	1.8
F3SG-4RA0240-14	23	240	8	40	140	45	75	2.0
F3SG-4RA0320-14	31	320	8	40	140	55	75	2.2
F3SG-4RA0400-14	39	400	8	40	140	60	80	2.7
F3SG-4RA0480-14	47	480	13	65	165	50	80	2.9
F3SG-4RA0560-14	55	560	13	65	165	55	80	3.1
F3SG-4RA0640-14	63	640	13	65	165	60	85	3.3
F3SG-4RA0720-14	71	720	13	65	165	65	85	3.9
F3SG-4RA0800-14	79	800	13	65	165	65	90	4.1
F3SG-4RA0880-14	87	880	13	65	165	70	90	4.3
F3SG-4RA0960-14	95	960	13	65	165	75	90	4.5
F3SG-4RA1040-14	103	1040	13	65	165	80	95	4.7
F3SG-4RA1120-14	111	1120	13	65	165	85	95	4.8
F3SG-4RA1200-14	119	1200	13	65	165	90	100	5.0
F3SG-4RA1280-14	127	1280	13	65	165	95	100	5.2
F3SG-4RA1360-14	135	1360	13	65	165	95	105	5.6
F3SG-4RA1440-14	143	1440	18	90	190	85	105	5.8
F3SG-4RA1520-14	151	1520	18	90	190	90	105	6.0
F3SG-4RA1600-14	159	1600	18	90	190	90	110	6.6
F3SG-4RA1680-14	167	1680	18	90	190	95	110	6.8
F3SG-4RA1760-14	175	1760	18	90	190	100	115	7.0
F3SG-4RA1840-14	183	1840	18	90	190	100	115	7.2
F3SG-4RA1920-14	191	1920	18	90	190	105	120	7.3
F3SG-4RA2000-14	199	2000	18	90	190	105	120	7.5
F3SG-4RA2080-14	207	2080	18	90	190	110	125	8.1

*1 The response times are values when Scan Code is set at Code B. The response times for Code A are 1 ms shorter than these values.

*2 The weight includes an emitter, a receiver and included brackets in a product package.

F3SG-4RA□□□□-30

Model	Number of Beams	Protective Height [mm]	Response Time [ms]			Current Consumption [mA]		Weight [kg] ²
			ON → OFF ¹	OFF (Synchronized) → ON	OFF (Not synchronized) → ON	Emitter	Receiver	
F3SG-4RA0190-30	8	190	8	40	140	35	75	1.8
F3SG-4RA0270-30	12	270	8	40	140	35	75	2.0
F3SG-4RA0350-30	16	350	8	40	140	40	75	2.2
F3SG-4RA0430-30	20	430	8	40	140	45	75	2.7
F3SG-4RA0510-30	24	510	8	40	140	50	75	2.9
F3SG-4RA0590-30	28	590	8	40	140	50	75	3.1
F3SG-4RA0670-30	32	670	8	40	140	55	75	3.3
F3SG-4RA0750-30	36	750	8	40	140	60	80	3.9
F3SG-4RA0830-30	40	830	8	40	140	65	80	4.0
F3SG-4RA0910-30	44	910	13	65	165	50	80	4.2
F3SG-4RA0990-30	48	990	13	65	165	50	80	4.4
F3SG-4RA1070-30	52	1070	13	65	165	55	80	4.6
F3SG-4RA1150-30	56	1150	13	65	165	55	85	4.8
F3SG-4RA1230-30	60	1230	13	65	165	55	85	4.9
F3SG-4RA1310-30	64	1310	13	65	165	60	85	5.1
F3SG-4RA1390-30	68	1390	13	65	165	60	85	5.6
F3SG-4RA1470-30	72	1470	13	65	165	65	85	5.8
F3SG-4RA1550-30	76	1550	13	65	165	65	90	6.0
F3SG-4RA1630-30	80	1630	13	65	165	70	90	6.5
F3SG-4RA1710-30	84	1710	13	65	165	70	90	6.7
F3SG-4RA1790-30	88	1790	13	65	165	70	90	6.9
F3SG-4RA1870-30	92	1870	13	65	165	75	90	7.1
F3SG-4RA1950-30	96	1950	13	65	165	75	95	7.3
F3SG-4RA2030-30	100	2030	13	65	165	80	95	7.4
F3SG-4RA2110-30	104	2110	13	65	165	80	95	8.0
F3SG-4RA2190-30	108	2190	13	65	165	85	95	8.2
F3SG-4RA2270-30	112	2270	13	65	165	85	100	8.4
F3SG-4RA2350-30	116	2350	13	65	165	85	100	8.8
F3SG-4RA2430-30	120	2430	13	65	165	90	100	8.9
F3SG-4RA2510-30	124	2510	13	65	165	90	100	9.1

*1 The response times are values when Scan Code is set at Code B. The response times for Code A are 1 ms shorter than these values.

The maximum speed of movement of a test rod up to which the detection capability is maintained is 2.0 m/s.

*2 The weight includes an emitter, a receiver and included brackets in a product package.

Legislation and Standards

1. The F3SG-R does not receive type approval provided by Article 44-2 of the Industrial Safety and Health Act of Japan. When using the F3SG-R in Japan as a "safety system for pressing or shearing machines" prescribed in Article 42 of that law, the machine control system must receive type approval.
2. The F3SG-R is electro-sensitive protective equipment (ESPE) in accordance with European Union (EU) Machinery Directive Index Annex V, Item 2.
3. EC Declaration of Conformity
OMRON declares that the F3SG-R is in conformity with the requirements of the following EC Directives:
Machinery Directive 2006/42/EC
EMC Directive 2004/108/EC
4. Conforming Standards
 - (1) European standards
EN61496-1 (Type 4 ESPE), EN 61496-2 (Type 4 AOPD), EN61508-1 through -4 (SIL 3 for Type 4), EN ISO 13849-1:2008 (PL e, Category 4 for Type 4 and PL c)
 - (2) International standards
IEC61496-1 (Type 4 ESPE), IEC61496-2 (Type 4 AOPD), IEC61508-1 through -4 (SIL 3 for Type 4), ISO 13849-1:2006 (PL e, Category 4 for Type 4)
5.
 - (1) JIS standards
JIS B 9704-1 (Type 4 ESPE), JIS B 9704-2 (Type 4 AOPD)
 - (2) North American standards
UL61496-1 (Type 4 ESPE), UL61496-2 (Type 4 AOPD), UL508, UL1998, CAN/CSA C22.2 No.14, CAN/CSA C22.2 No.0.8
 - (3) Chinese standards
GB4584 (Specification of active opto-electronic protective devices for presses)
6. Third-Party Certifications
 - (1) TÜV SÜD
 - EC Type-Examination certificate:
EU Machinery Directive, Type 4 ESPE (EN61496-1), Type 4 AOPD (EN 61496-2)
 - Certificate:
Type 4 ESPE (EN61496-1), Type 4 AOPD (EN61496-2), EN 61508-1 through -4 (SIL 3 for Type 4), EN ISO 13849-1:2008 (PL e, Category 4 for Type 4,)
 - (2) UL
 - UL Listing:
Type 4 ESPE (UL61496-1), Type 4 AOPD (UL61496-2), UL508, UL1998, CAN/CSA C22.2 No.14, CAN/CSA C22.2 No.0.8
 - (3) China National Casting and Forging Machines Quality Supervision and Inspection Center
 - Certificate:
GB4584 (Specification of active opto-electronic protective devices for presses)
7. Other Standards
The F3SG-R is designed according to the standards listed below. To make sure that the final system complies with the following standards and regulations, you are asked to design and use it in accordance with all other related standards, laws, and regulations. If you have any questions, consult with specialized organizations such as the body responsible for prescribing and/or enforcing machinery safety regulations in the location where the equipment is to be used.
 - European Standards: EN415-4, EN691-1, EN692, EN693, IEC/TS 62046
 - U.S. Occupational Safety and Health Standards: OSHA 29 CFR 1910.212
 - U.S. Occupational Safety and Health Standards: OSHA 29 CFR 1910.217
 - American National Standards: ANSI B11.1 to B11.19
 - American National Standards: ANSI/RIA R15.06
 - Canadian Standards Association CSA Z142, Z432, Z434
 - SEMI Standards SEMI S2
 - Japan Ministry of Health, Labour and Welfare "Guidelines for Comprehensive Safety Standards of Machinery", Standard Bureau's Notification No. 0731001 dated July 31, 2007.rms and Conditions Agreement
 - Chinese National Standards: GB17120, GB27607

F3SG-RA

Indicator

Emitter

Name of Indicator		Color	Illuminated	Blinking
Test	TEST	Green	–	External Test is being performed
Operating range	LONG	Green	Long range mode is selected	Lockout state due to DIP Switch setting error or Operating range selection setting error
Power	POWER	Green	Power is ON.	Error due to noise
Lockout	LOCKOUT	Red	–	Lockout state due to error in emitter

Receiver

Name of Indicator		Color	Illuminated	Blinking
Top-beam-state	TOP	Blue	The top beam is unblocked	Muting/Override state, or Lockout state due to Cap error or Other sensor error
PNP/NPN mode	NPN	Green	NPN mode is selected by DIP Switch	–
Response time	SLOW	Green	Response Time Adjustment is enabled	–
Sequence error	SEQ	Yellow	–	Sequence error in Muting or Pre-reset mode
Blanking	BLANK	Green	Blanking, Warning Zone or Reduced Resolution is enabled	Teach-in mode, or Blanking Monitoring error
Configuration	CFG	Green	–	Teach-in mode, zone measurement being performed by Dynamic Muting, or Lockout state due to Parameter error or Cascading Configuration error
Interlock	INT-LK	Yellow	Interlock state	Pre-reset mode
External device monitoring	EDM	Green	RESET input is in ON state	Lockout state due to EDM error
Internal error	INTERNAL	Red	–	Lockout state due to Internal error, or error due to abnormal power supply or noise
Lockout	LOCKOUT	Red	–	Lockout state due to error in receiver
Stable-state	STB	Green	Incident light level is 170% or higher of ON-threshold	Safety output is instantaneously turned OFF due to ambient light or vibration
ON/OFF	ON/OFF	Green	Safety output is in ON state	–
		Red	Safety output is in OFF state, or the sensor is in Setting state	Lockout state due to Safety Output error, or error due to abnormal power supply or noise
Communication	COM	Green	Synchronization between emitter and receiver is maintained	Lockout state due to Communication error, or error due to abnormal power supply or noise
Bottom-beam-state	BTM	Blue	The bottom beam is unblocked	Muting/Override state, or Lockout state due to DIP Switch setting error

Interface Unit

Main unit	PC/AT compatible machine (computer that runs Microsoft Windows)
Operating system (OS)	Windows 7 (32-bit/64-bit), Windows 8 (32-bit/64-bit)
Communication port	USB port ×1
Ambient temperature	Operating: -10 to 55°C, Storage: -30 to 70°C(non-icing and non-condensing)
Ambient humidity	Operating: 35% to 85%, Storage: 35% to 95%(non-condensing)

Lamp

Item	F39-LP
Applicable Sensor	F3SG-□RA Series Safety Light Curtain (Receiver)
LED Light Color	Red/Green/Orange
Power Supply Voltage	24 VDC±20%, ripple p-p 10% max.(shares sensor's power supply)
Current Consumption	25 mA max. (shares sensor's power supply.)
Ambient Temperature	Operating: -10 to 55°C, Storage: -25 to 70°C
Ambient Humidity	Operating: 35% to 85%, Storage: 35% to 95%
Vibration Resistance	10 to 55 Hz, Multiple amplitude of 0.7 mm,20 sweeps for all 3 axes
Shock Resistance	100 m/s ² , 1000 shocks for all 3 axes
Degree of Protection	IP65 and IP67(When attached to F3SG)
Type of Connection	Connectable to F3SG-RA's terminal connector
Material	Lighting element: PC, Other body parts: PBT
Weight	45 g (when packaged)

Connections (Basic Wiring Diagram)

Standalone F3SG-RA using PNP Outputs

The following is the example of External Device Monitoring enabled, Manual Reset mode, PNP output and External Test in 24 V Active.

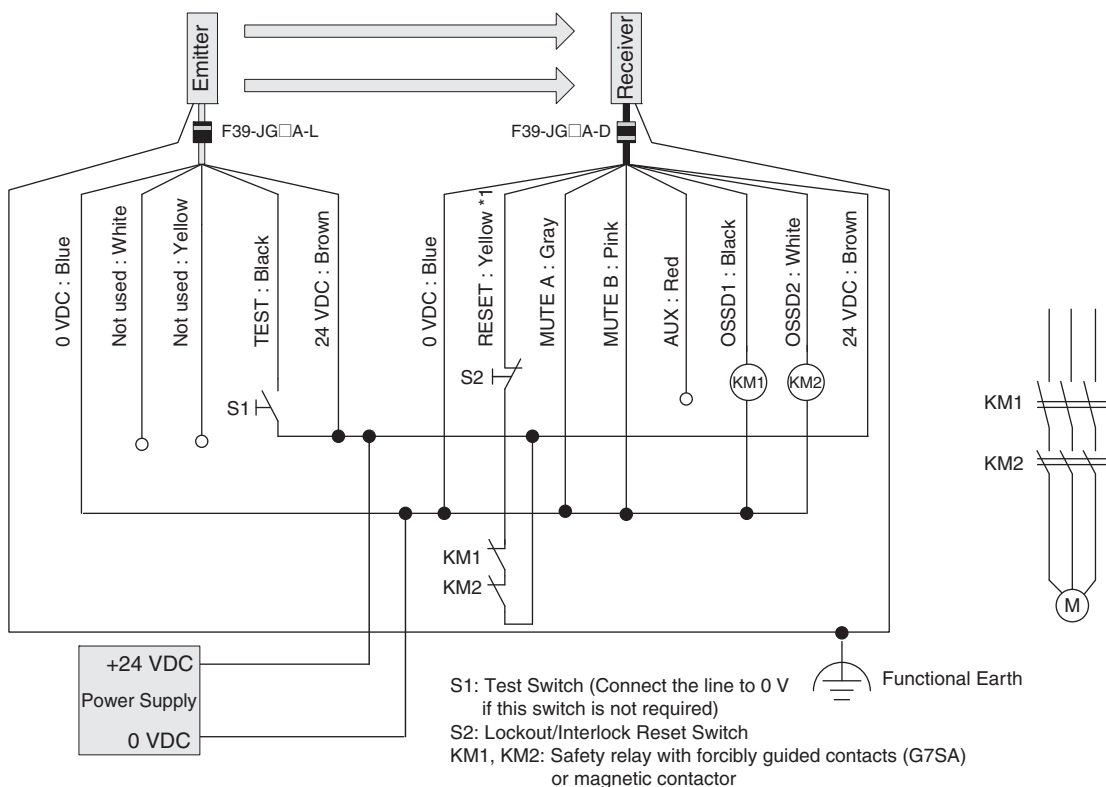
DIP Switch settings *2

	Function	DIP-SW1	DIP-SW2
Receiver	EDM Enabled	2 <input type="checkbox"/> ON	2 <input type="checkbox"/> ON
	Manual Reset	3 <input type="checkbox"/> ON	3 <input type="checkbox"/> ON
		4 <input type="checkbox"/> ON	4 <input type="checkbox"/> ON
	PNP (factory default setting)	7 <input type="checkbox"/> ON	7 <input type="checkbox"/> ON
Emitter	External Test: 24 V Active (factory default setting)	4 <input type="checkbox"/> ON	

: Indicates a switch position.

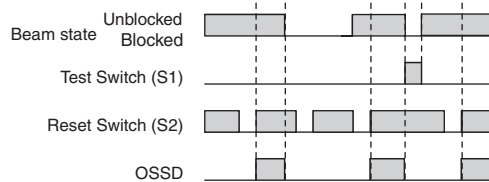
Configure functions with the DIP Switches before wiring.

Wiring Example



S1: Test Switch (Connect the line to 0 V if this switch is not required)
 S2: Lockout/Interlock Reset Switch
 KM1, KM2: Safety relay with forcibly guided contacts (G7SA) or magnetic contactor
 M: 3-phase motor

*1.Also used as EDM input line.
 *2.The functions are configurable with DIP Switch. Refer to *Safety Light Curtain F3SG-R Series User's Manual* for more information on setting the functions by the DIP Switch.



Note: The wiring examples in later pages do not indicate functional earth. To use functional earth, wire an earth cable according to the example above. Refer to *Safety Light Curtain F3SG-R Series User's Manual* for more information.

Standalone F3SG-RA using NPN Outputs

The following is the example of External Device Monitoring enabled, Manual Reset mode, NPN output and External Test in 0 V Active.

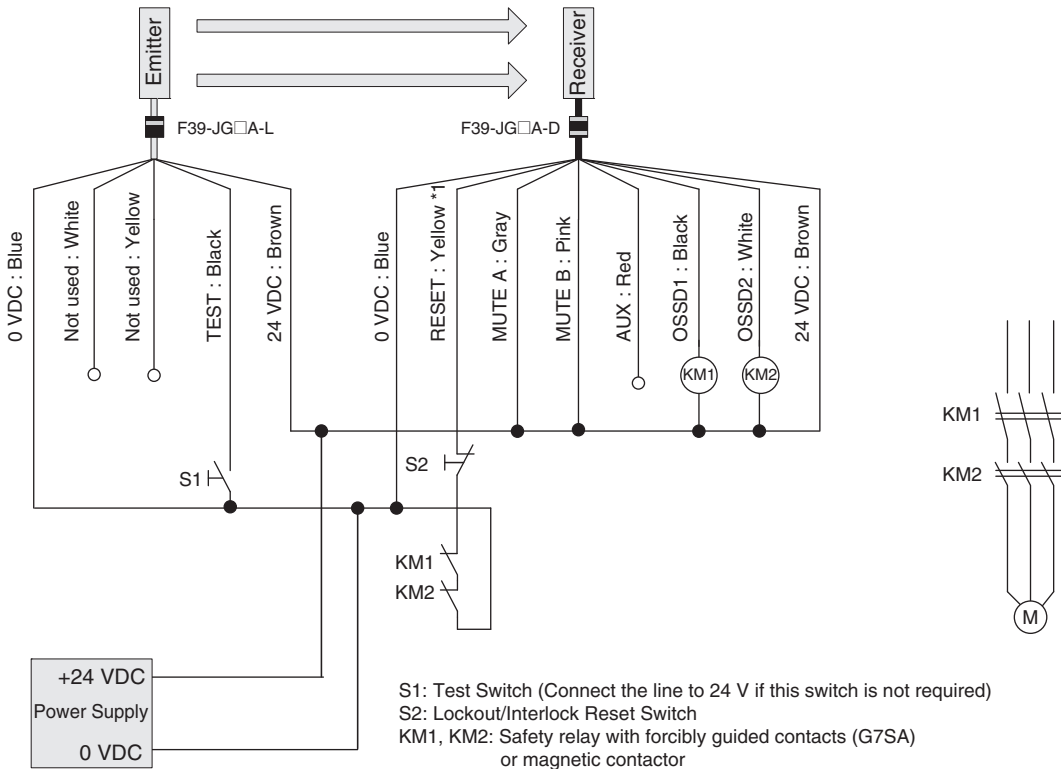
DIP Switch settings *2

	Function	DIP-SW1	DIP-SW2
Receiver	EDM Enabled	2 <input checked="" type="checkbox"/> ON	2 <input checked="" type="checkbox"/> ON
	Manual Reset	3 <input checked="" type="checkbox"/> ON	3 <input checked="" type="checkbox"/> ON
		4 <input type="checkbox"/> OFF	4 <input type="checkbox"/> OFF
	NPN	7 <input checked="" type="checkbox"/> ON	7 <input checked="" type="checkbox"/> ON
Emitter	External Test: 0 V Active	4 <input type="checkbox"/> OFF	

: Indicates a switch position.

Configure functions with the DIP Switches before wiring.

Wiring Example

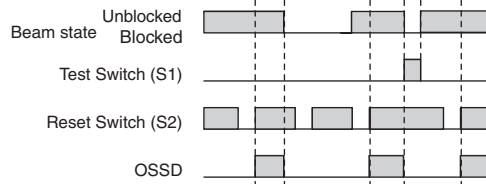


S1: Test Switch (Connect the line to 24 V if this switch is not required)
 S2: Lockout/Interlock Reset Switch
 KM1, KM2: Safety relay with forcibly guided contacts (G7SA)
 or magnetic contactor

M: 3-phase motor

*1. Also used as EDM input line.

*2. The functions are configurable with DIP Switch. Refer to *Safety Light Curtain F3SG-R Series User's Manual* for more information on setting the functions by the DIP Switch.



Standard Muting Mode/Exit-Only Muting Mode using PNP Outputs

The following is the example of External Device Monitoring disabled, Auto Reset mode, PNP output and External Test in 24 V Active.

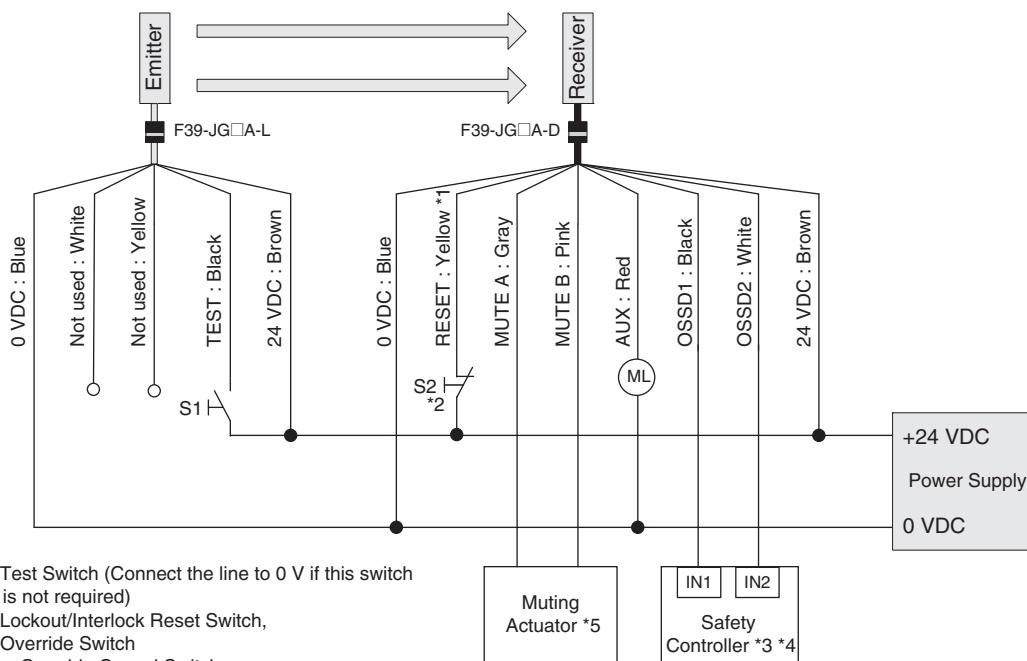
DIP Switch settings *6

	Function	DIP-SW1	DIP-SW2
Receiver	EDM Disabled (factory default setting)	2 <input checked="" type="checkbox"/> ON	2 <input checked="" type="checkbox"/> ON
	Auto Reset (factory default setting)	3 <input checked="" type="checkbox"/> ON	3 <input checked="" type="checkbox"/> ON
		4 <input checked="" type="checkbox"/> ON	4 <input checked="" type="checkbox"/> ON
	PNP (factory default setting)	7 <input checked="" type="checkbox"/> ON	7 <input checked="" type="checkbox"/> ON
Emitter	External Test: 24 V Active (factory default setting)	4 <input checked="" type="checkbox"/> ON	

: Indicates a switch position.

Configure functions with the DIP Switches before wiring.

Wiring Example



S1: Test Switch (Connect the line to 0 V if this switch is not required)

S2: Lockout/Interlock Reset Switch, Override Switch or Override Cancel Switch

ML: Muting lamp

*1. Also used as Override input line.

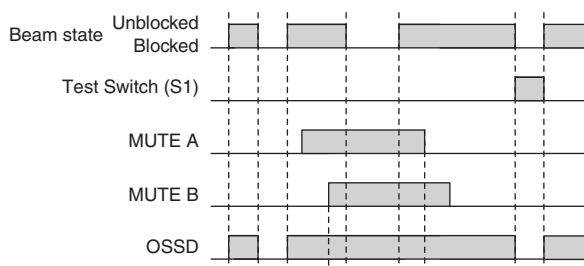
*2. Make sure to connect an override cancel switch to the Reset line when using the override function. Otherwise the override state may not be released by the override cancel switch, resulting in serious injury.

*3. Refer to page 29 for more information.

*4. The safety controller and the F3SG-R must share the power supply or be connected to the common terminal of the power supply.

*5. Refer to *Smart Muting Actuator F3W-MA Series User's Manual* for more information.

*6. The functions are configurable with DIP Switch. Refer to *Safety Light Curtain F3SG-R Series User's Manual* for more information on setting the functions by the DIP Switch.



Standard Muting Mode/Exit-Only Muting Mode using NPN Outputs

The following is the example of External Device Monitoring enabled, Auto Reset mode, NPN output and External Test in 0 V Active.

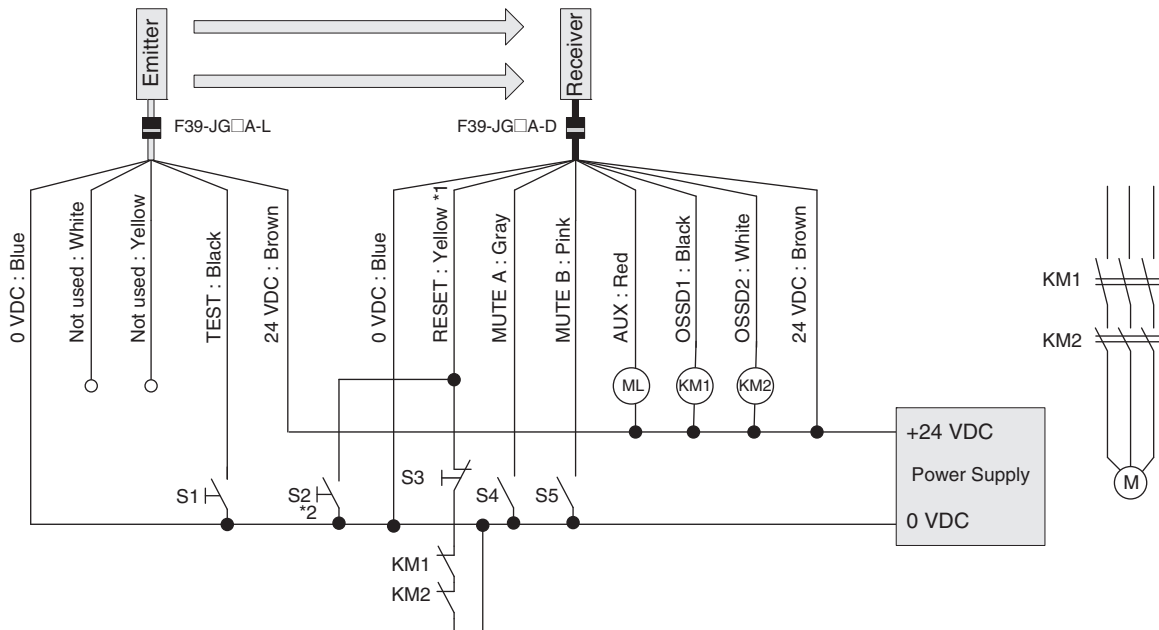
DIP Switch settings *3

	Function	DIP-SW1	DIP-SW2
Receiver	EDM Enabled	2 <input type="checkbox"/> ON	2 <input type="checkbox"/> ON
	Auto Reset (factory default setting)	3 <input type="checkbox"/> ON	3 <input type="checkbox"/> ON
		4 <input type="checkbox"/> ON	4 <input type="checkbox"/> ON
	NPN	7 <input type="checkbox"/> ON	7 <input type="checkbox"/> ON
Emitter	External Test: 0 V Active	4 <input type="checkbox"/> ON	

: Indicates a switch position.

Configure functions with the DIP Switches before wiring.

Wiring Example

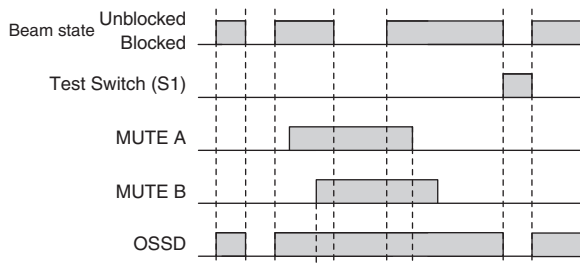


- S1: Test Switch (Connect the line to 24 V if this switch is not required)
- S2: Override Cancel Switch
- S3: Lockout/Interlock Reset Switch or Override Switch
- S4, S5: Muting sensor
- KM1, KM2: Safety relay with forcibly guided contacts (G7SA) or magnetic contactor
- M: 3-phase motor
- ML: Muting lamp

*1. Also used as Override input line.

*2. Make sure to connect an override cancel switch to the Reset line when using the override function. Otherwise the override state may not be released by the override cancel switch, resulting in serious injury.

*3. The functions are configurable with DIP Switch. Refer to *Safety Light Curtain F3SG-R Series User's Manual* for more information on setting the functions by the DIP Switch.



Standard Muting Mode/Exit-Only Muting Mode with two Muting Sensors using PNP Outputs

The following is the example of External Device Monitoring disabled, Auto Reset mode, PNP output and External Test in 24 V Active.

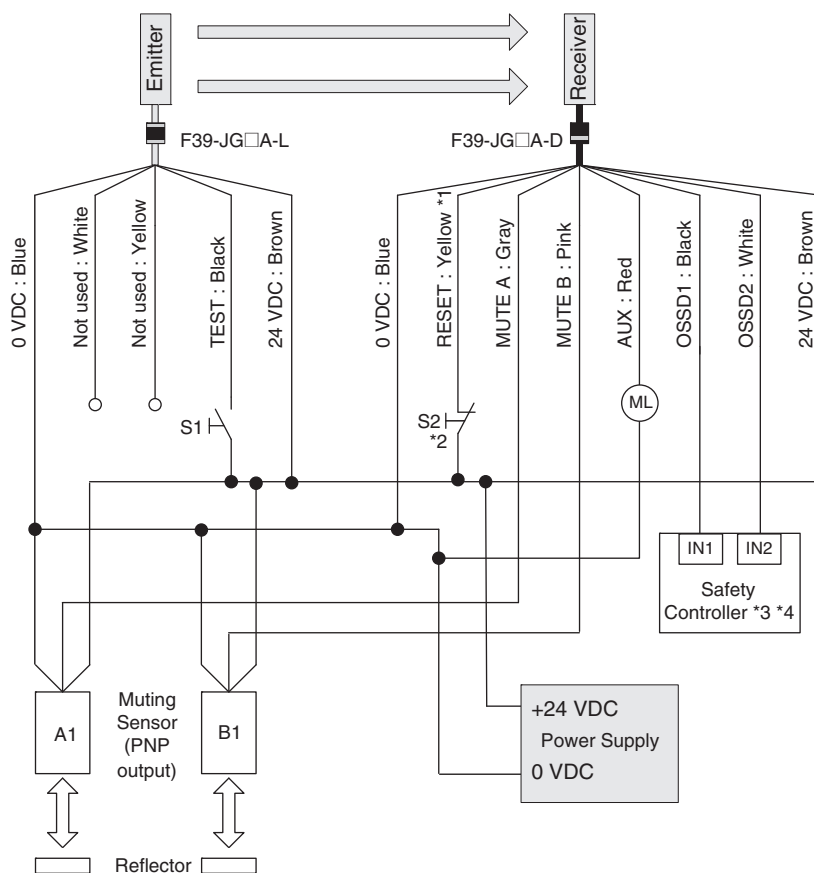
DIP Switch settings *5

	Function	DIP-SW1	DIP-SW2
Receiver	EDM Disabled (factory default setting)	2 <input type="checkbox"/> ON	2 <input type="checkbox"/> ON
	Auto Reset (factory default setting)	3 <input type="checkbox"/> ON	3 <input type="checkbox"/> ON
		4 <input type="checkbox"/> ON	4 <input type="checkbox"/> ON
	PNP (factory default setting)	7 <input type="checkbox"/> ON	7 <input type="checkbox"/> ON
Emitter	External Test: 24 V Active (factory default setting)	4 <input type="checkbox"/> ON	

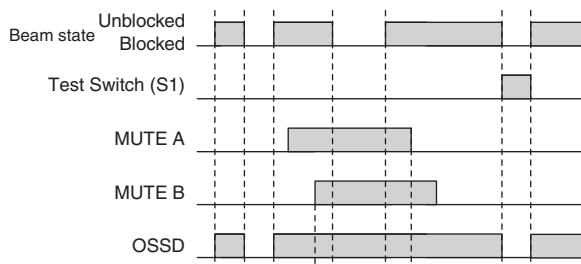
: Indicates a switch position.

Configure functions with the DIP Switches before wiring.

Wiring Example



S1: Test Switch (Connect the line to 0 V if this switch is not required)
 S2: Lockout/Interlock Reset Switch, Override Switch or Override Cancel Switch
 ML: Muting lamp
 A1, B1: Muting sensor



- *1. Also used as Override input line.
- *2. Make sure to connect an override cancel switch to the Reset line when using the override function. Otherwise the override state may not be released by the override cancel switch, resulting in serious injury.
- *3. Refer to page 29 for more information.
- *4. The safety controller and the F3SG-R must share the power supply or be connected to the common terminal of the power supply.
- *5. The functions are configurable with DIP Switch. Refer to *Safety Light Curtain F3SG-R Series User's Manual* for more information on setting the functions by the DIP Switch.

Standard Muting Mode/Exit-Only Muting Mode with two Muting Sensors using NPN Outputs

The following is the example of External Device Monitoring enabled, Auto Reset mode, NPN output and External Test in 0 V Active.

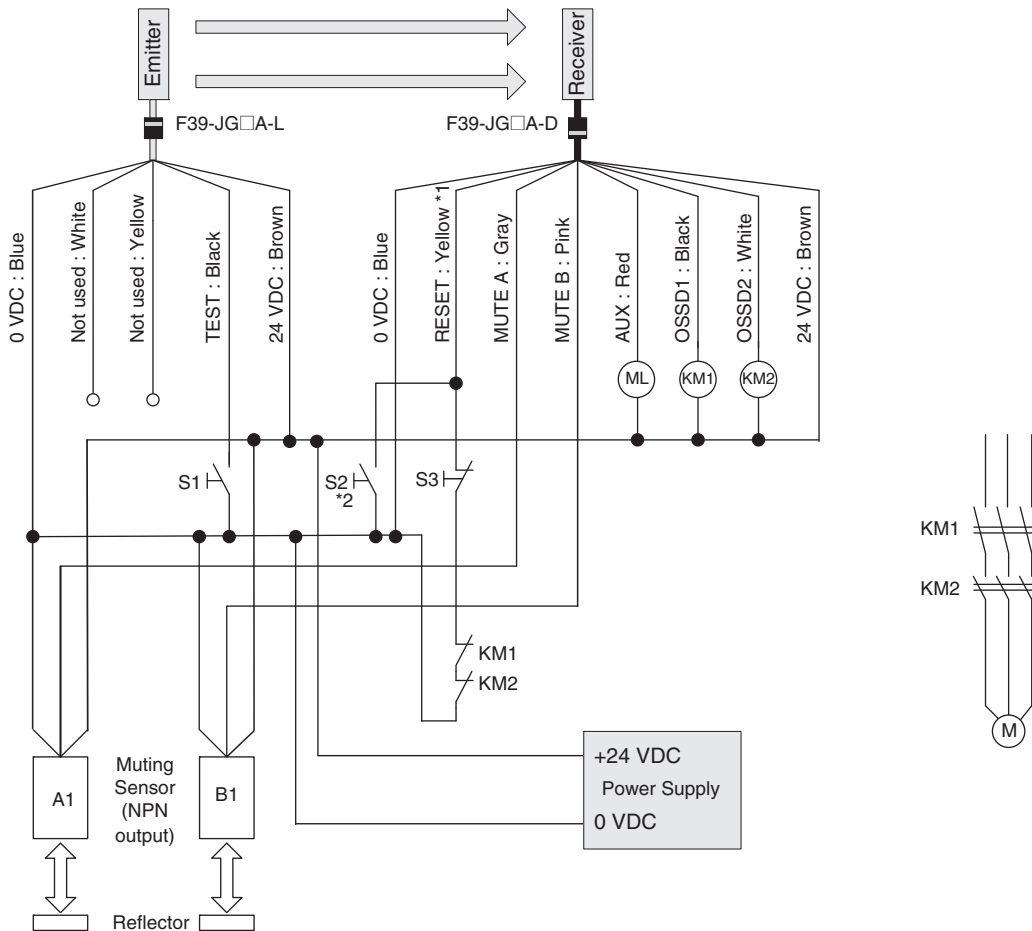
DIP Switch settings *3

	Function	DIP-SW1	DIP-SW2
Receiver	EDM Enabled	2 <input type="checkbox"/> ON	2 <input type="checkbox"/> ON
	Auto Reset (factory default setting)	3 <input type="checkbox"/> ON	3 <input type="checkbox"/> ON
		4 <input type="checkbox"/> ON	4 <input type="checkbox"/> ON
	NPN	7 <input type="checkbox"/> ON	7 <input type="checkbox"/> ON
Emitter	External Test: 0 V Active	4 <input type="checkbox"/> ON	

: Indicates a switch position.

Configure functions with the DIP Switches before wiring.

Wiring Example

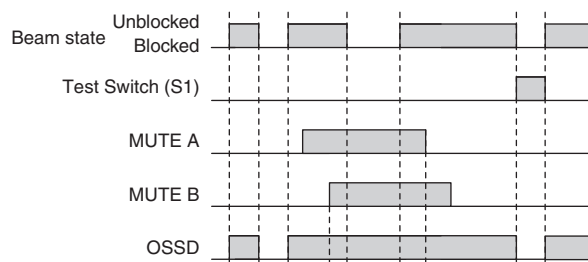


- S1: Test Switch (Connect the line to 24 V if this switch is not required)
- S2: Override Cancel Switch
- S3: Lockout/Interlock Reset Switch or Override Switch
- KM1, KM2: Safety relay with forcibly guided contacts (G7SA) or magnetic contactor
- M: 3-phase motor
- ML: Muting lamp
- A1, B1: Muting sensor

*1. Also used as Override input line.

*2. Make sure to connect an override cancel switch to the Reset line when using the override function. Otherwise the override state may not be released by the override cancel switch, resulting in serious injury.

*3. The functions are configurable with DIP Switch. Refer to *Safety Light Curtain F3SG-R Series User's Manual* for more information on setting the functions by the DIP Switch.



Standard Muting Mode with four Muting Sensors using PNP Outputs

The following is the example of External Device Monitoring disabled, Auto Reset mode, PNP output and External Test in 24 V Active.

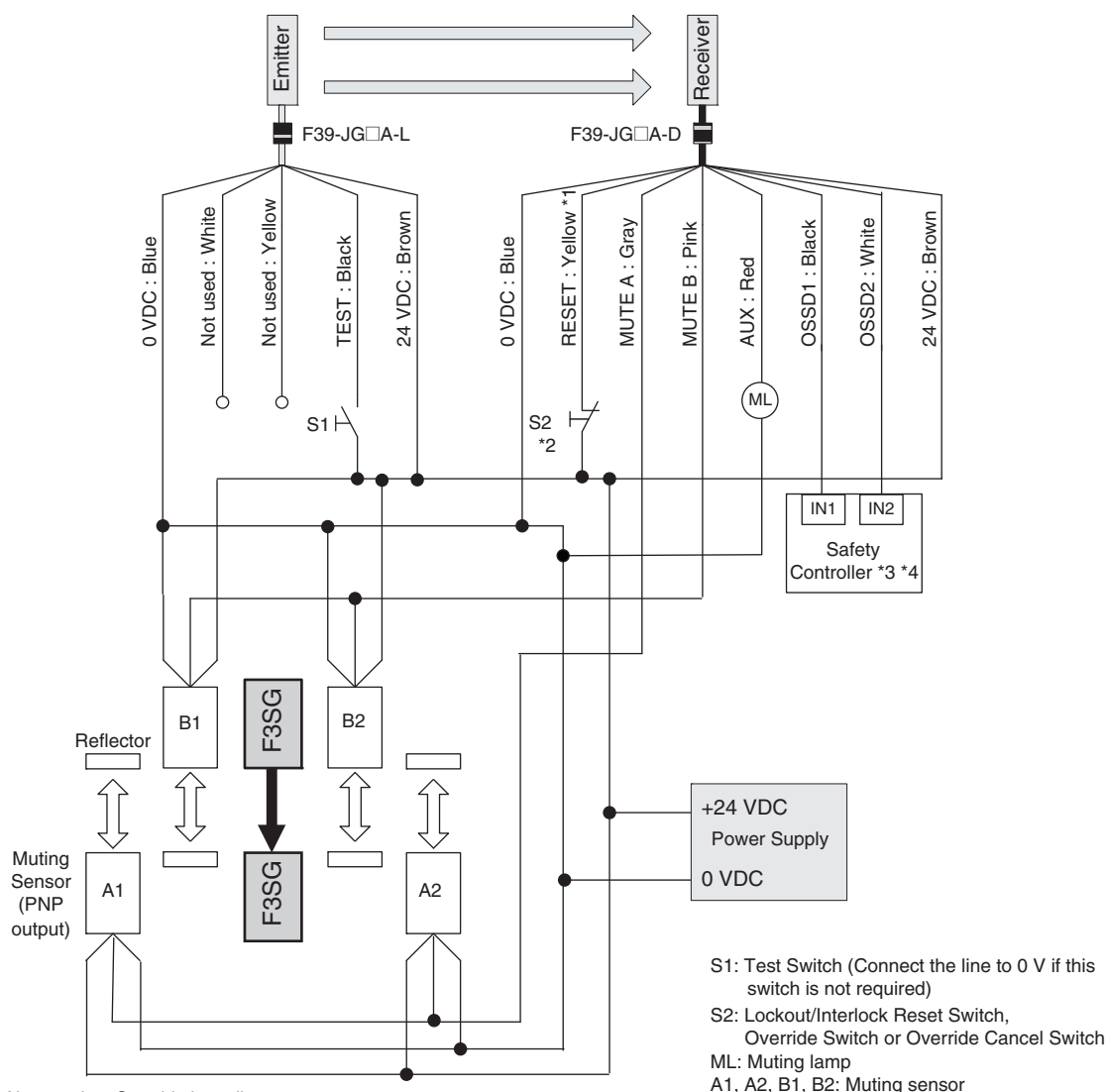
DIP Switch settings *5

	Function	DIP-SW1	DIP-SW2
Receiver	EDM Disabled (factory default setting)	2 <input type="checkbox"/> ON	2 <input type="checkbox"/> ON
	Auto Reset (factory default setting)	3 <input type="checkbox"/> ON	3 <input type="checkbox"/> ON
		4 <input type="checkbox"/> ON	4 <input type="checkbox"/> ON
	PNP (factory default setting)	7 <input type="checkbox"/> ON	7 <input type="checkbox"/> ON
Emitter	External Test: 24 V Active (factory default setting)	4 <input type="checkbox"/> ON	

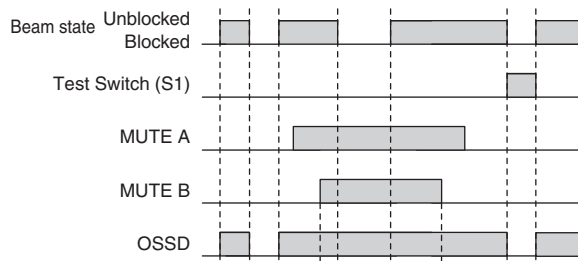
: Indicates a switch position.

Configure functions with the DIP Switches before wiring.

Wiring Example



- *1. Also used as Override input line.
- *2. Make sure to connect an override cancel switch to the Reset line when using the override function. Otherwise the override state may not be released by the override cancel switch, resulting in serious injury.
- *3. Refer to page 19 for more information.
- *4. The safety controller and the F3SG-R must share the power supply or be connected to the common terminal of the power supply.
- *5. The functions are configurable with DIP Switch. Refer to *Safety Light Curtain F3SG-R Series User's Manual* for more information on setting the functions by the DIP Switch.



Standard Muting Mode with four Muting Sensors using NPN Outputs

The following is the example of External Device Monitoring enabled, Auto Reset mode, NPN output and External Test in 0 V Active.

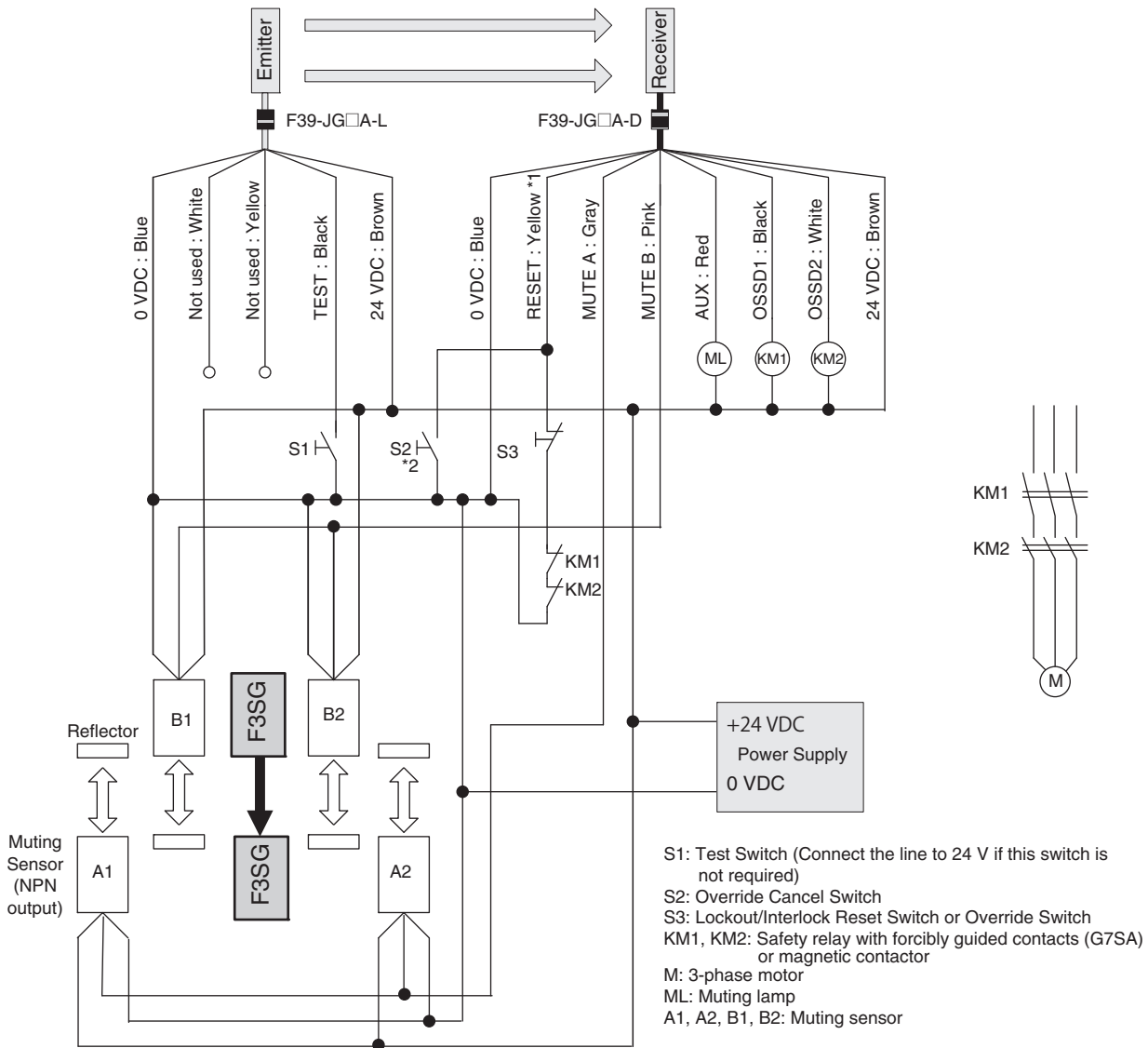
DIP Switch settings *3

	Function	DIP-SW1	DIP-SW2
Receiver	EDM Enabled	2 <input type="checkbox"/> ON	2 <input type="checkbox"/> ON
	Auto Reset (factory default setting)	3 <input type="checkbox"/> ON	3 <input type="checkbox"/> ON
		4 <input type="checkbox"/> ON	4 <input type="checkbox"/> ON
	NPN	7 <input type="checkbox"/> ON	7 <input type="checkbox"/> ON
Emitter	External Test: 0 V Active	4 <input type="checkbox"/> ON	

: Indicates a switch position.

Configure functions with the DIP Switches before wiring.

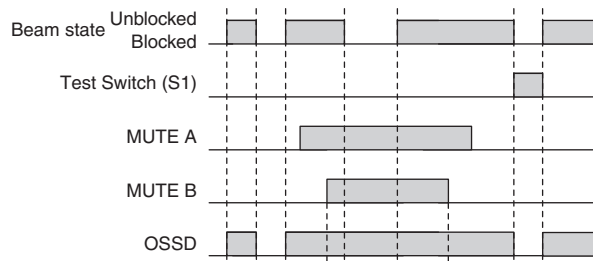
Wiring Example



*1. Also used as Override input line.

*2. Make sure to connect an override cancel switch to the Reset line when using the override function. Otherwise the override state may not be released by the override cancel switch, resulting in serious injury.

*3. The functions are configurable with DIP Switch. Refer to *Safety Light Curtain F3SG-R Series User's Manual* for more information on setting the functions by the DIP Switch.



Pre-Reset Mode using PNP Output

The following is the example of External Device Monitoring disabled, Pre-Reset mode, PNP output and External Test in 24 V Active.

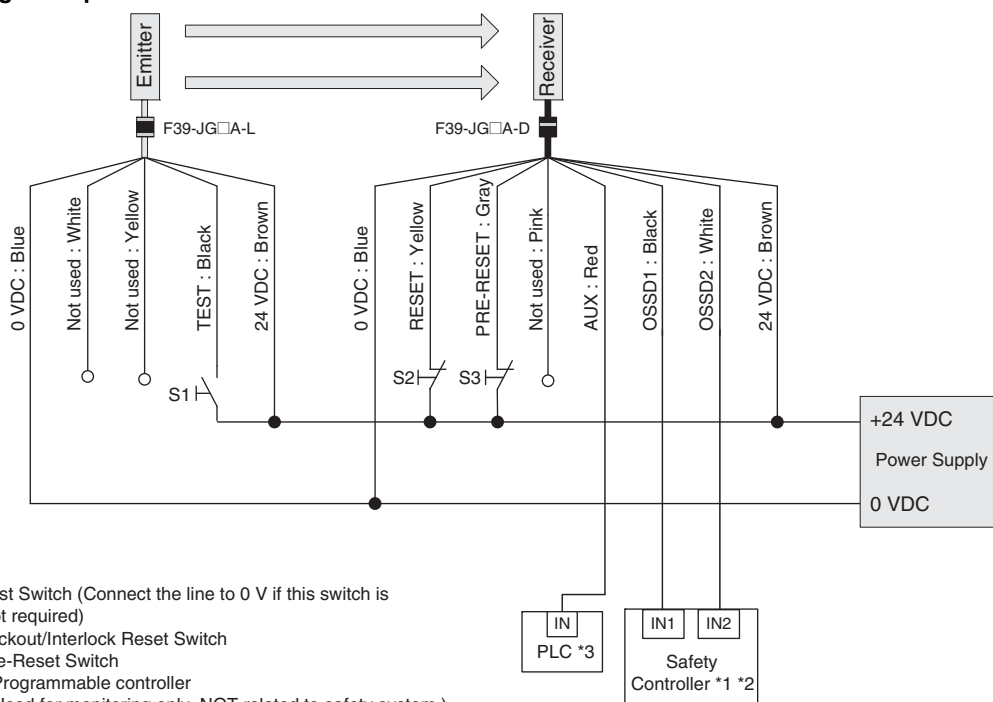
DIP Switch settings *4

	Function	DIP-SW1	DIP-SW2
Receiver	EDM Disabled (factory default setting)	2 <input checked="" type="checkbox"/> ON	2 <input checked="" type="checkbox"/> ON
	Pre-Reset	3 <input checked="" type="checkbox"/> ON	3 <input checked="" type="checkbox"/> ON
		4 <input checked="" type="checkbox"/> ON	4 <input checked="" type="checkbox"/> ON
		7 <input checked="" type="checkbox"/> ON	7 <input checked="" type="checkbox"/> ON
Emitter	External Test: 24 V Active (factory default setting)	4 <input checked="" type="checkbox"/> ON	

: Indicates a switch position.

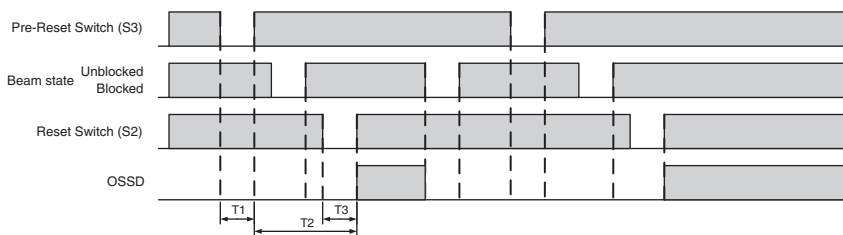
Configure functions with the DIP Switches before wiring.

Wiring Example



- S1: Test Switch (Connect the line to 0 V if this switch is not required)
- S2: Lockout/Interlock Reset Switch
- S3: Pre-Reset Switch
- PLC: Programmable controller
(Used for monitoring only. NOT related to safety system.)

- *1.Refer to the following list "Connectable Safety Control Units" on this page.
- *2.The safety controller and the F3SG-R must share the power supply or be connected to the common terminal of the power supply.
- *3.When connecting to the PLC, the output mode must be changed with the Configuration Tool.
- *4.The functions are configurable with DIP Switch. Refer to *Safety Light Curtain F3SG-R Series User's Manual* for more information on setting the functions by the DIP Switch.



T1: Push time: must be $T1 \geq 300ms$
 T2: Pre-reset limit time between Pre-reset and Reset: must be $T2 \leq 60s$
 T3: Push time: must be $T3 \geq 300ms$

Connectable Safety Control Units

The F3SG-RA with PNP output can be connected to the safety control units listed in the table below.

Connectable Safety Control Units (PNP output)		
G9SA-301 G9SA-321 G9SA-501 G9SB-200-B G9SB-200-D G9SB-301-B G9SB-301-D G9SE-201 G9SE-401 G9SE-221-T□	G9SX-AD322-T G9SX-ADA222-T G9SX-BC202 G9SX-GS226-T15	G9SP-N10S G9SP-N10D G9SP-N20S NE0A-SCPU01 NE1A-SCPU01 NE1A-SCPU02 DST1-ID12SL DST1-MD16SL DST1-MRD08SL NX-SIH400 NX-SID800 F3SP-T01

Pre-Reset Mode using NPN Output

The following is the example of External Device Monitoring enabled, Pre-Reset mode, NPN output and External Test in 0 V Active.

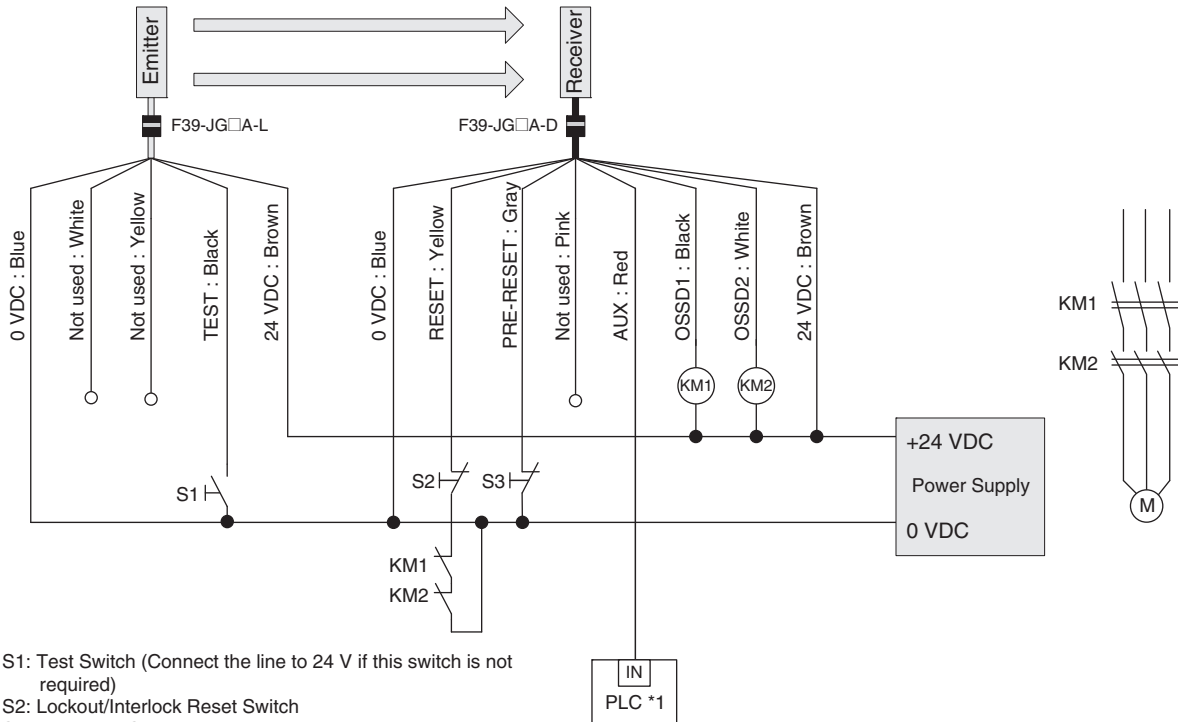
DIP Switch settings *2

	Function	DIP-SW1	DIP-SW2
Receiver	EDM Enabled	2 <input type="checkbox"/> ON	2 <input type="checkbox"/> ON
	Pre-Reset	3 <input type="checkbox"/> ON	3 <input type="checkbox"/> ON
		4 <input type="checkbox"/> ON	4 <input type="checkbox"/> ON
	NPN	7 <input type="checkbox"/> ON	7 <input type="checkbox"/> ON
Emitter	External Test: 0 V Active	4 <input type="checkbox"/> ON	

: Indicates a switch position.

Configure functions with the DIP Switches before wiring.

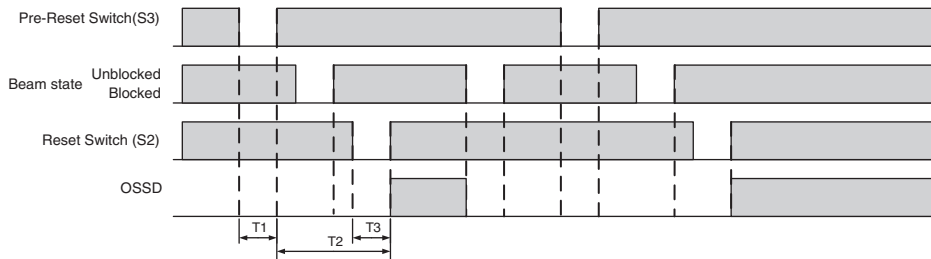
Wiring Example



- S1: Test Switch (Connect the line to 24 V if this switch is not required)
- S2: Lockout/Interlock Reset Switch
- S3: Pre-Reset Switch
- KM1, KM2: External device feedback
- M: 3-phase motor
- PLC: Programmable controller
(Used for monitoring only. NOT related to safety system.)

*1. When connecting to the PLC, the output mode must be changed with the Configuration Tool.

*2. The functions are configurable with DIP Switch. Refer to *Safety Light Curtain F3SG-R Series User's Manual* for more information on setting the functions by the DIP Switch.



- T1: Push time: must be $T1 \geq 300\text{ms}$
- T2: Pre-reset limit time between Pre-reset and Reset: must be $T2 \leq 60\text{s}$
- T3: Push time: must be $T3 \geq 300\text{ms}$

Standalone F3SG-RA with Y-Joint Plug/Socket Connector using PNP outputs

The following is the example of External Device Monitoring enabled, Manual Reset mode, PNP output and External Test in 24 V Active.

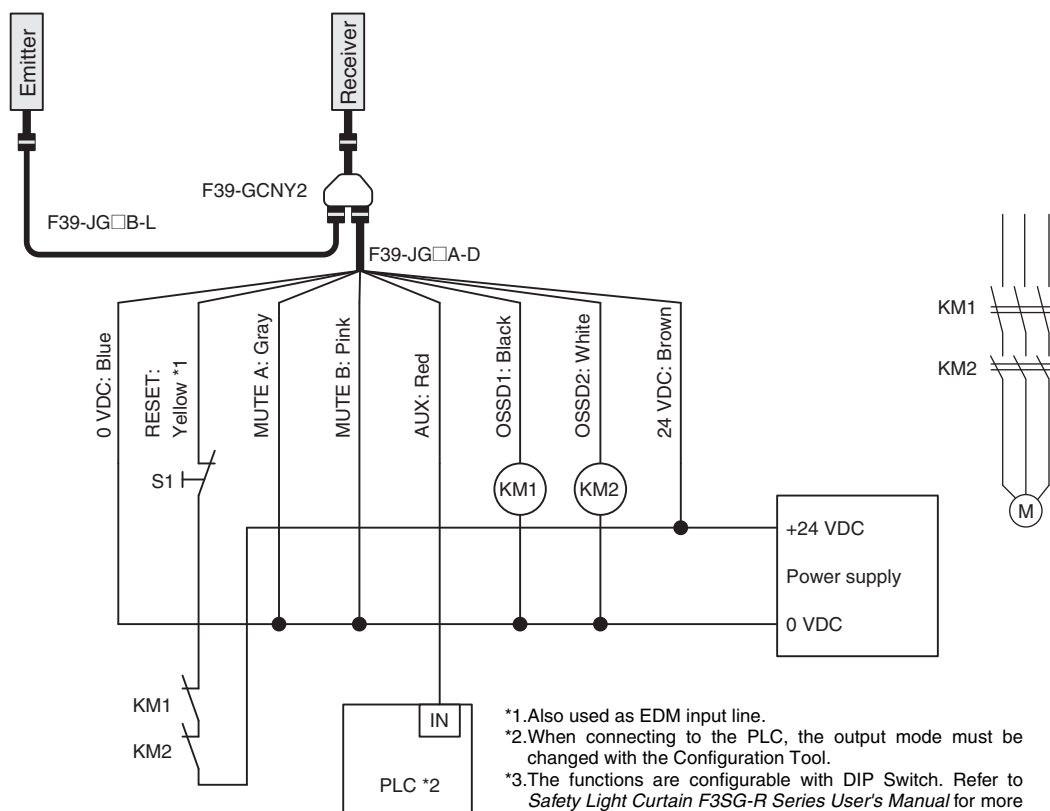
DIP Switch settings *3

	Function	DIP-SW1	DIP-SW2
Receiver	EDM Enabled	2 <input checked="" type="checkbox"/> ON	2 <input checked="" type="checkbox"/> ON
	Manual Reset	3 <input checked="" type="checkbox"/> ON	3 <input checked="" type="checkbox"/> ON
		4 <input type="checkbox"/> OFF	4 <input type="checkbox"/> OFF
	PNP (factory default setting)	7 <input type="checkbox"/> OFF	7 <input type="checkbox"/> OFF
Emitter	External Test: 24 V Active (factory default setting)	4 <input type="checkbox"/> OFF	

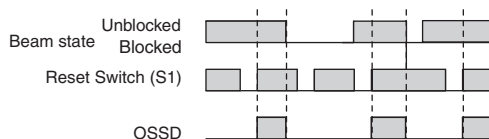
: Indicates a switch position.

Configure functions with the DIP Switches before wiring.

Wiring Example



S1: Lockout/Interlock Reset Switch
 KM1, KM2: External device feedback
 M: 3-phase motor
 PLC: Programmable controller
 (Used for monitoring only. NOT related to safety system.)



Standalone F3SG-RA with Y-Joint Plug/Socket Connector using NPN outputs

The following is the example of External Device Monitoring enabled, Manual Reset mode, NPN output and External Test in 24 V Active.

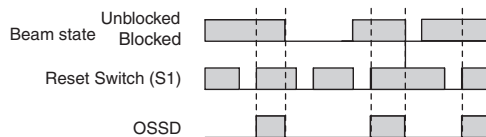
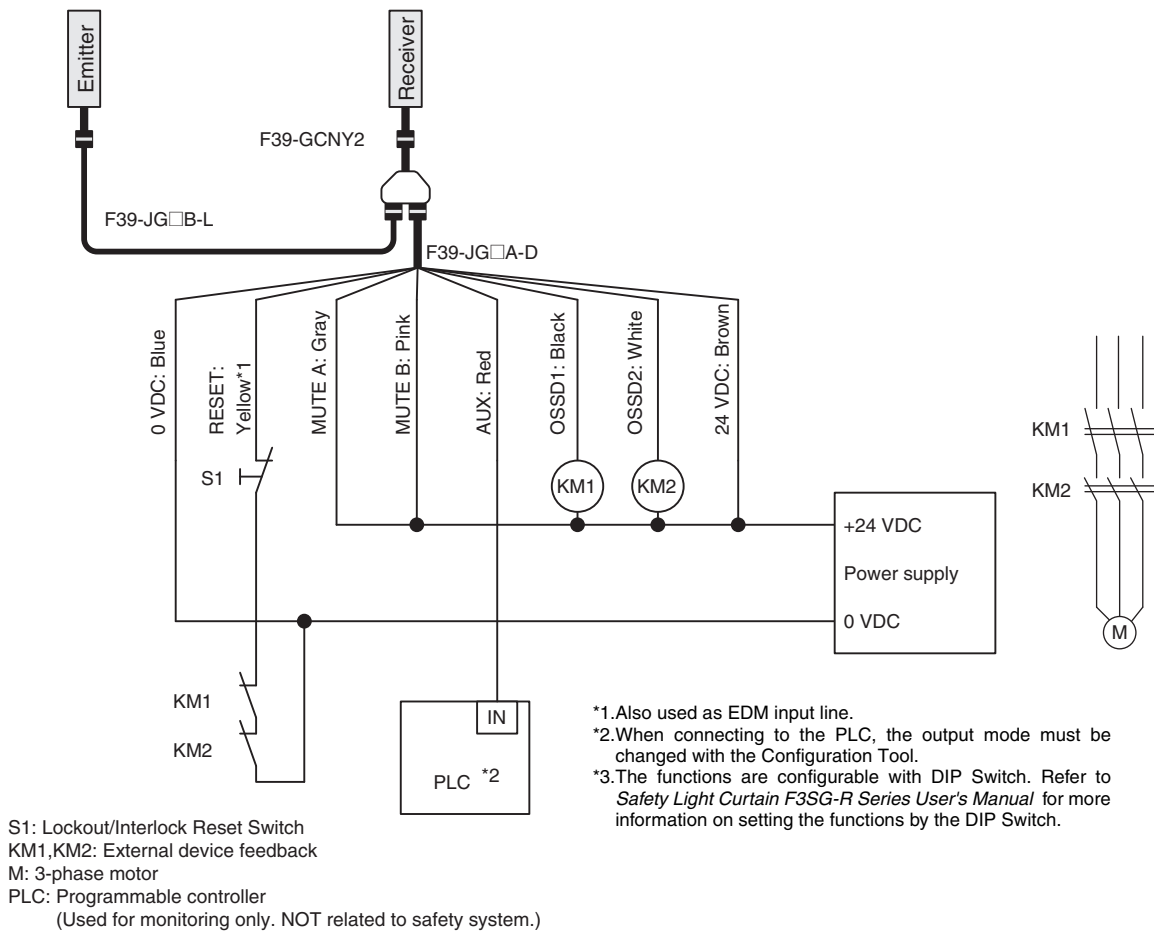
DIP Switch settings *3

	Function	DIP-SW1	DIP-SW2
Receiver	EDM Enabled	2 <input type="checkbox"/> ON	2 <input type="checkbox"/> ON
	Manual Reset	3 <input type="checkbox"/> ON	3 <input type="checkbox"/> ON
		4 <input type="checkbox"/> ON	4 <input type="checkbox"/> ON
	NPN	7 <input type="checkbox"/> ON	7 <input type="checkbox"/> ON
Emitter	External Test: 24 V Active (factory default setting)	4 <input type="checkbox"/> ON	

: Indicates a switch position.

Configure functions with the DIP Switches before wiring.

Wiring Example



F3SG-RA with Y-Joint Plug/Socket Connector in Standard Muting Mode/Exit-Only Muting Mode using PNP outputs

The following is the example of External Device Monitoring disabled, Auto Reset mode, PNP output and External Test in 24 V Active.

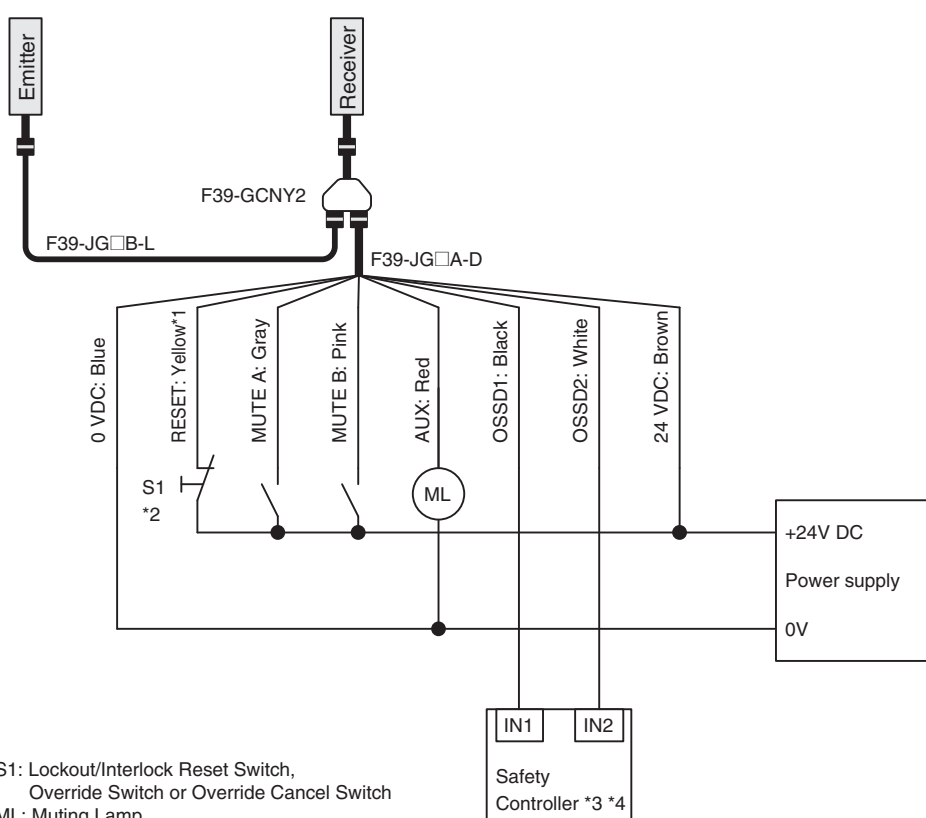
DIP Switch settings *5

	Function	DIP-SW1	DIP-SW2
Receiver	EDM Disabled (factory default setting)	2 <input checked="" type="checkbox"/> ON	2 <input checked="" type="checkbox"/> ON
	Auto Reset (factory default setting)	3 <input checked="" type="checkbox"/> ON	3 <input checked="" type="checkbox"/> ON
		4 <input checked="" type="checkbox"/> ON	4 <input checked="" type="checkbox"/> ON
	PNP (factory default setting)	7 <input checked="" type="checkbox"/> ON	7 <input checked="" type="checkbox"/> ON
Emitter	External Test: 24 V Active (factory default setting)	4 <input checked="" type="checkbox"/> ON	

: Indicates a switch position.

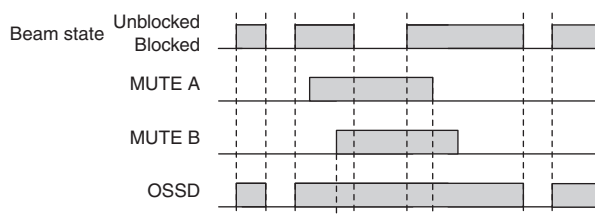
Configure functions with the DIP Switches before wiring.

Wiring Example



S1: Lockout/Interlock Reset Switch, Override Switch or Override Cancel Switch
ML: Muting Lamp

- *1. Also used as EDM input line.
- *2. Make sure to connect an override cancel switch to the Reset line when using the override function. Otherwise the override state may not be released by the override cancel switch, resulting in serious injury.
- *3. Refer to page 29 for more information.
- *4. The safety controller and the F3SG-R must share the power supply or be connected to the common terminal of the power supply.
- *5. The functions are configurable with DIP Switch. Refer to *Safety Light Curtain F3SG-R Series User's Manual* for more information on setting the functions by the DIP Switch.



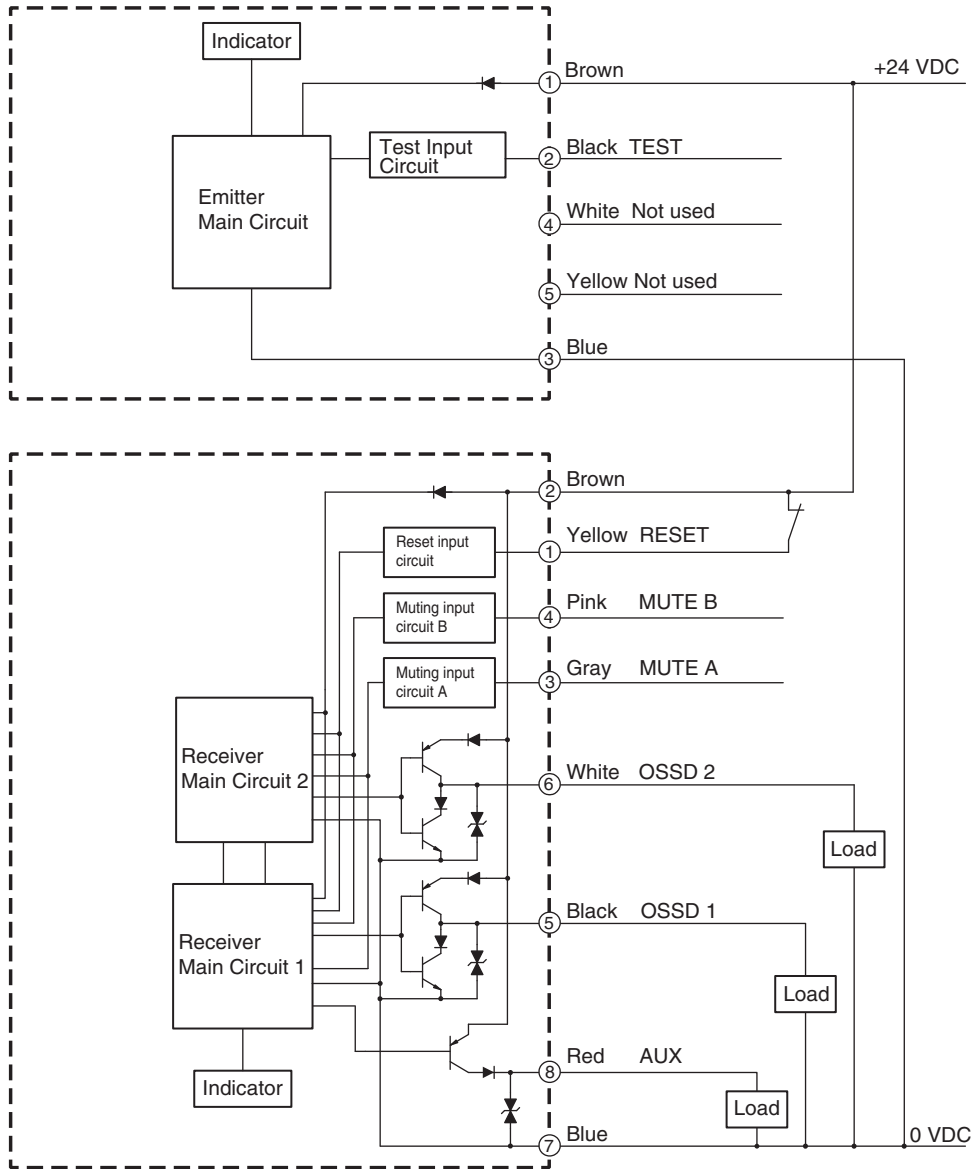
F3SG-RA

Input/Output Circuit

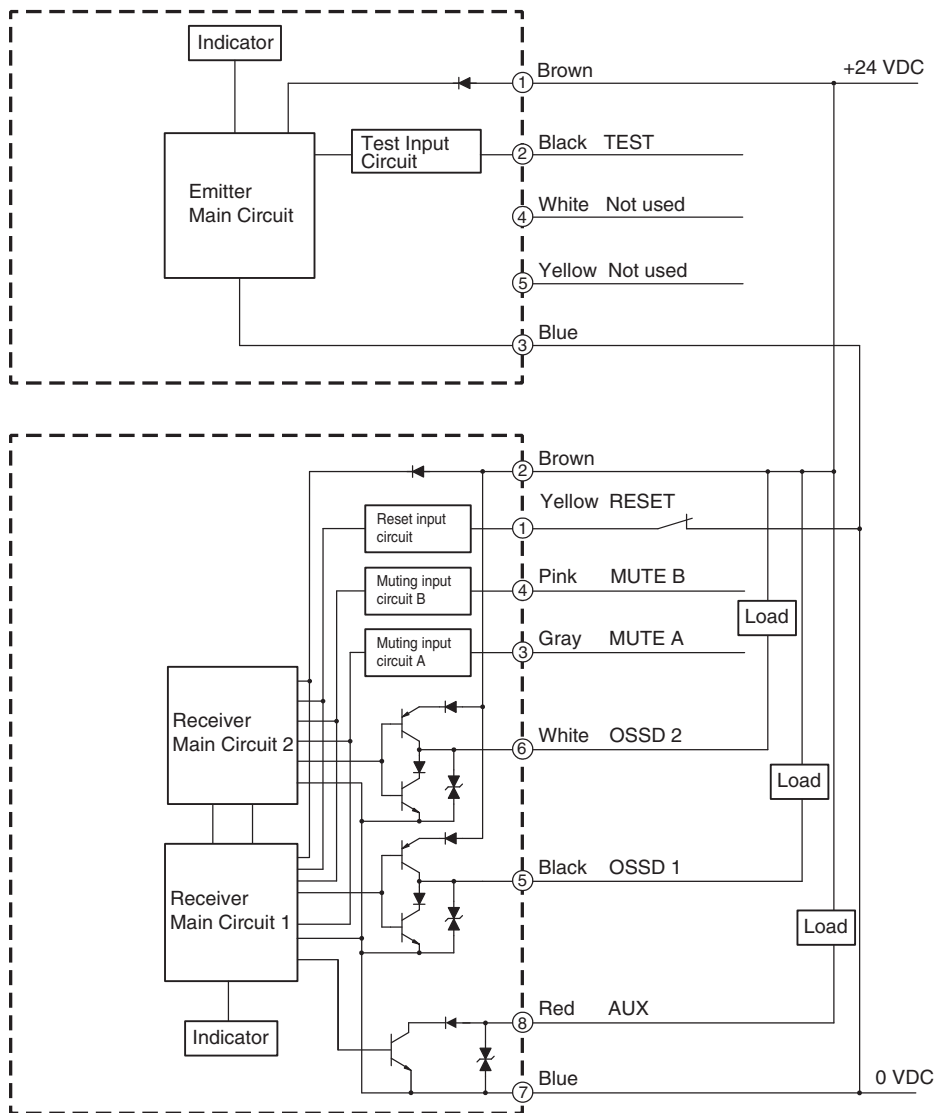
Entire Circuit Diagram

The entire circuit diagram of the F3SG-R is shown below.
The numbers in the circles indicate the connector's pin numbers.

PNP Output



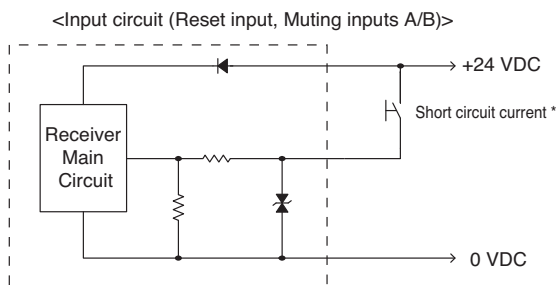
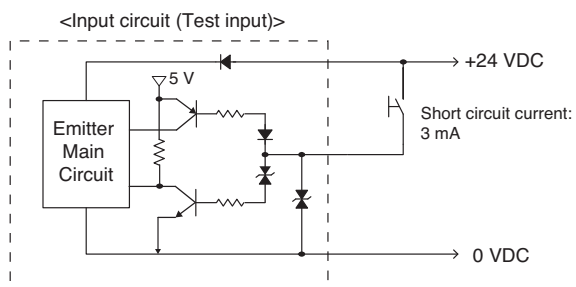
NPN Output



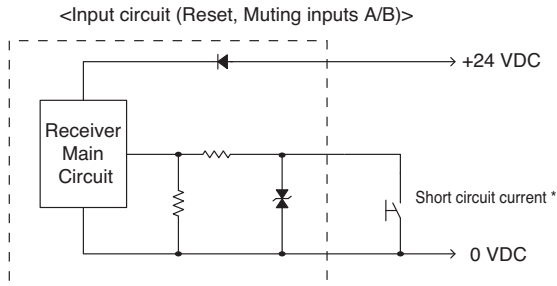
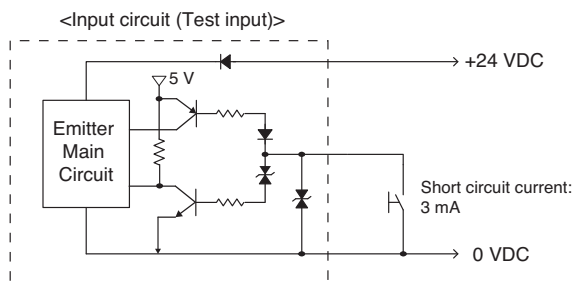
Input Circuit Diagram by Function

The input circuit diagrams of by function are shown below.

PNP Output



NPN Output



*Short circuit current: 5mA (Reset input), 3mA (Muting inputs A/B)