



Chipsmall Limited consists of a professional team with an average of over 10 year of expertise in the distribution of electronic components. Based in Hongkong, we have already established firm and mutual-benefit business relationships with customers from,Europe,America and south Asia,supplying obsolete and hard-to-find components to meet their specific needs.

With the principle of "Quality Parts,Customers Priority,Honest Operation,and Considerate Service",our business mainly focus on the distribution of electronic components. Line cards we deal with include Microchip,ALPS,ROHM,Xilinx,Pulse,ON,Everlight and Freescale. Main products comprise IC,Modules,Potentiometer,IC Socket,Relay,Connector.Our parts cover such applications as commercial,industrial, and automotives areas.

We are looking forward to setting up business relationship with you and hope to provide you with the best service and solution. Let us make a better world for our industry!



## Contact us

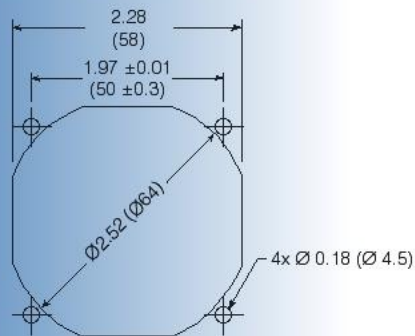
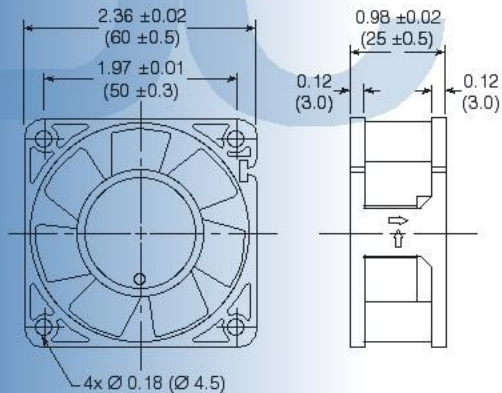
Tel: +86-755-8981 8866 Fax: +86-755-8427 6832

Email & Skype: info@chipsmall.com Web: www.chipsmall.com

Address: A1208, Overseas Decoration Building, #122 Zhenhua RD., Futian, Shenzhen, China

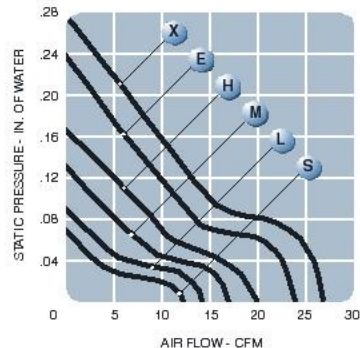


# F6025 Series



**Size: (60 x 60 x 25 mm)**  
**2.36 x 2.36 x 0.98 inches**

- Broad range of models to meet air flow and sound noise targets
- Electronic locked rotor sensor, auto-restart, reverse polarity protection
- 5, 12, or 24 VDC
- Ribbed or flanged frame styles; ball bearings
- Options include tachometer or locked rotor output signal, and thermistor control



Model No.	Rated Voltage (V)	Current (mA)			Revolution (RPM)	Air Volume (CFM)	Maximum Static Pressure (In H <sub>2</sub> O)	Sound Noise (dBA)	Weight (oz)
		5	12	24					
F6025 S	5/12/24	150	75	40	2,300	12	0.07	22	2.47
F6025 L	5/12/24	190	85	45	2,800	14	0.09	24	2.47
F6025 M	5/12/24	270	95	55	3,300	17	0.13	27	2.47
F6025 H	5/12/24	410	140	80	3,800	20	0.16	31	2.47
F6025 E	5/12/24	700	230	125	4,600	24	0.23	36	2.47
F6025 X	12/24	-	330	170	5,200	27	0.28	41	2.47