



Chipsmall Limited consists of a professional team with an average of over 10 year of expertise in the distribution of electronic components. Based in Hongkong, we have already established firm and mutual-benefit business relationships with customers from,Europe,America and south Asia,supplying obsolete and hard-to-find components to meet their specific needs.

With the principle of “Quality Parts,Customers Priority,Honest Operation,and Considerate Service”,our business mainly focus on the distribution of electronic components. Line cards we deal with include Microchip,ALPS,ROHM,Xilinx,Pulse,ON,Everlight and Freescale. Main products comprise IC,Modules,Potentiometer,IC Socket,Relay,Connector.Our parts cover such applications as commercial,industrial, and automotives areas.

We are looking forward to setting up business relationship with you and hope to provide you with the best service and solution. Let us make a better world for our industry!



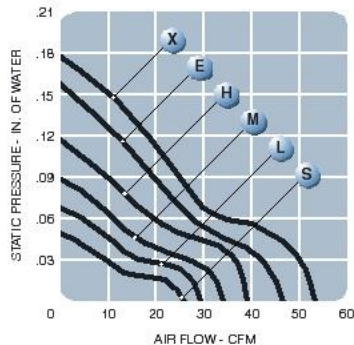
Contact us

Tel: +86-755-8981 8866 Fax: +86-755-8427 6832

Email & Skype: info@chipsmall.com Web: www.chipsmall.com

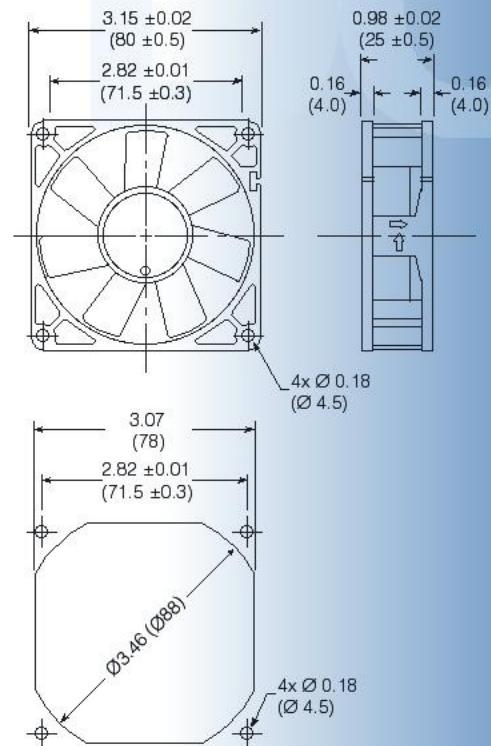
Address: A1208, Overseas Decoration Building, #122 Zhenhua RD., Futian, Shenzhen, China





**Size: (80 x 80 x 25 mm)
3.15 x 3.15 x 0.98 inches**

- Broad range of models to meet air flow and sound noise targets
- Electronic locked rotor sensor, auto-restart reverse polarity protection
- 5, 12, or 24 VDC
- Flanged or ribbed frame styles; ball bearings
- Options include tachometer or locked rotor output signal, and thermistor control



Model No.	Rated Voltage (V)	Current (mA)			Revolution (RPM)	Air Volume (CFM)	Maximum Static Pressure (in H ₂ O)	Sound Noise (dBA)	Weight (oz)
		5	12	24					
F8025 S	5/12/24	150	75	50	1,500	25	0.05	20	2.79
F8025 L	5/12/24	200	90	60	1,800	29	0.07	22	2.79
F8025 M	5/12/24	290	120	80	2,100	34	0.09	26	2.79
F8025 H	5/12/24	420	145	90	2,400	39	0.12	29	2.79
F8025 E	5/12/24	800	240	140	2,800	46	0.16	32	2.79
F8025 X	12/24	–	480	260	3,200	51	0.18	35	2.79