



Chipsmall Limited consists of a professional team with an average of over 10 year of expertise in the distribution of electronic components. Based in Hongkong, we have already established firm and mutual-benefit business relationships with customers from,Europe,America and south Asia,supplying obsolete and hard-to-find components to meet their specific needs.

With the principle of “Quality Parts,Customers Priority,Honest Operation,and Considerate Service”,our business mainly focus on the distribution of electronic components. Line cards we deal with include Microchip,ALPS,ROHM,Xilinx,Pulse,ON,Everlight and Freescale. Main products comprise IC,Modules,Potentiometer,IC Socket,Relay,Connector.Our parts cover such applications as commercial,industrial, and automotives areas.

We are looking forward to setting up business relationship with you and hope to provide you with the best service and solution. Let us make a better world for our industry!



## Contact us

Tel: +86-755-8981 8866 Fax: +86-755-8427 6832

Email & Skype: info@chipsmall.com Web: www.chipsmall.com

Address: A1208, Overseas Decoration Building, #122 Zhenhua RD., Futian, Shenzhen, China



NOTES:

1. MATERIALS AND FINISHES:

- BODY - BRASS, NICKEL PLATING
- CONTACT - BeCu, GOLD PLATING
- INSULATORS - PTFE, NATURAL
- CLIP - PBT, NATURAL
- LOCKCOVER - NYLON 66
- FERRULE - COPPER, NICKEL PLATED
- RETAINING RING - BeCu

2. ELECTRICAL:

- A. IMPEDANCE: 50 OHM, NOMINAL

3. MECHANICAL:

- A. DURABILITY: 100 CYCLES MIN.
- B. TEMPERATURE RANGE: -40°C TO +115°C

4. PACKAGING:

- A. QUANTITY: TRAY PACK
- B. MARKING: TRAY TO BE MARKED  
"AMPHENOL RF, FAI-NXSJ-C01-6, AND DATE CODE"

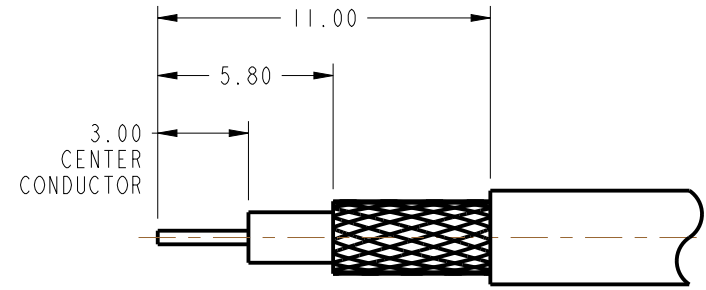
5. A. CRIMPED CONTACT PIN AFM8 ADJUST TO 4 POSITIONER K727

- B. CRIMPED FERRULE HEX CRIMP SIZE 0.128"

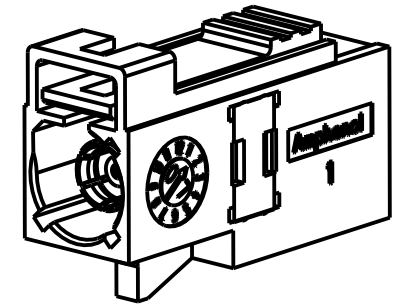
THIRD ANGLE PROJ.

REVISIONS

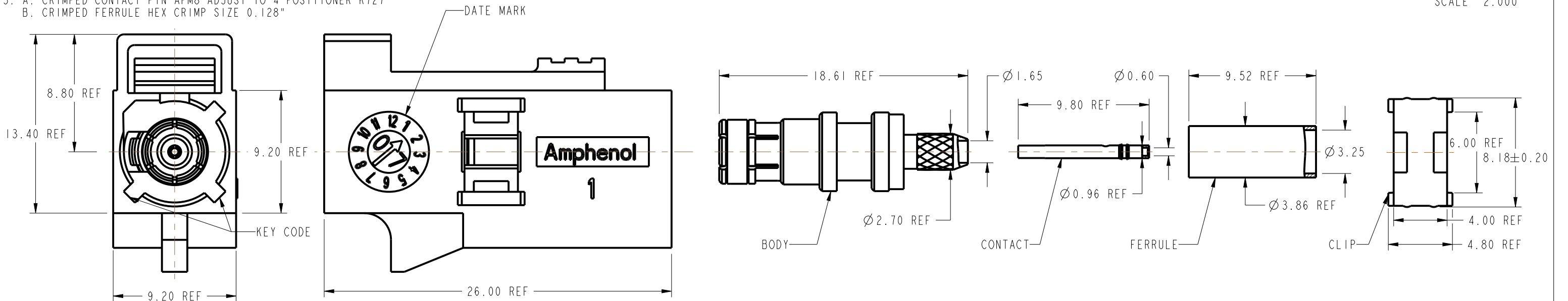
REV	DESCRIPTION	DATE	ECO	APPR
F	REDRAWN IN PRO-E & COD ADDED	4/29/14	49831	KR/BCG



**RECOMMENDED CABLE STRIPPING DIMENSIONS**



SCALE 2.000



KEY CODING	PART NO.	DRAWING NO.	ITEM NO
A	FAI-NASJ-C01-6	FK6121AW-005-NT30G-50	FK6121ACA36NC5F
B	FAI-NBSJ-C01-6	FK6121BW-005-NT30G-50	FK6121ACB36NC5F
C	FAI-NCSJ-C01-6	FK6121CW-005-NT30G-50	FK6121ACC36NC5F
D	FAI-NDSJ-C01-6	FK6121DW-005-NT30G-50	FK6121ACD36NC5F
E	FAI-NESJ-C01-6	FK6121EW-005-NT30G-50	FK6121ACE36NC5F
F	FAI-NFSJ-C01-6	FK6121FW-005-NT30G-50	FK6121ACF36NC5F
G	FAI-NGSJ-C01-6	FK6121GW-005-NT30G-50	FK6121ACG36NC5F
H	FAI-NHSJ-C01-6	FK6121HW-005-NT30G-50	FK6121ACH36NC5F
I	FAI-NISJ-C01-6	FK6121IW-005-NT30G-50	FK6121ACI36NC5F
K	FAI-NKSK-C01-6	FK6121KW-005-NT30G-50	FK6121ACK36NC5F
Z	FAI-NZSJ-C01-6	FK6121ZW-005-NT30G-50	FK6121ACZ36NC5F
L	FAI-NLSJ-C01-6	FK6121LW-005-NT30G-50	FK6121ACL36NC5F
M	FAI-NMSJ-C01-6	FK6121MW-005-NT30G-50	FK6121ACM36NC5F
N	FAI-NNSJ-C01-6	FK6121NW-005-NT30G-50	FK6121ACN36NC5F

CONFIGURATION CONTROL:  
NO CHANGES PERMITTED TO DRAWING WITHOUT  
PPAP QUALIFIED CUSTOMER APPROVAL

**CUSTOMER OUTLINE DRAWING**

ALL OTHER SHEETS ARE FOR INTERNAL USE ONLY

UNLESS OTHERWISE SPECIFIED, DIMENSIONS ARE IN METRIC AND TOLERANCES ARE:  
 <0.5mm ± 0.05mm    0.5 - 6mm ± 0.1mm    6 - 30mm ± 0.2mm    30 - 120mm ± 0.3mm    ANGLES ± 1°

NOTICE - These drawings, specifications, or other data (1) are, and remain the property of Amphenol corp. (2) must be returned upon request; and (3) are confidential and not to be disclosed to any person other than those to whom they are given by Amphenol Corp. the furnishing of these drawings, specifications, or other data by Amphenol Corp., or to any other person to anyone for any purpose is not to be regarded by implication or otherwise in any manner licensing, granting rights to permitting such holder or any other person to manufacture, use or sell any product, process or design, patented or otherwise, that may in any way be related to or disclosed by said drawings, specifications, or other data.

MATERIAL SEE NOTES	DRAWN KARTHIK R DATE 17-Dec-13	TITLE FAKRA 180° CLIP SMB CRIMP JACK FOR RG-174/U, -188A/U, AND -316/U CABLE	Amphenol RF www.amphenolrf.com
REFERENCE EAR #	ENGINEER B.C. GLEISSNER DATE 15-Dec-13	APPROVED K. CAPOZZI DATE 4/29/14	DRAWING NO. FK6121XX-005-NT30G-50
CONFIGURATION LEVEL: In Work	CAD FILE	SCALE: 3.5:1.0 SHEET 2 OF 2	ITEM NO. FK6121ACX36NC5F
FINISH		DWG SIZE B	REV F
			PART NO. FAI-NXSJ-C01-6