



Chipsmall Limited consists of a professional team with an average of over 10 year of expertise in the distribution of electronic components. Based in Hongkong, we have already established firm and mutual-benefit business relationships with customers from,Europe,America and south Asia,supplying obsolete and hard-to-find components to meet their specific needs.

With the principle of “Quality Parts,Customers Priority,Honest Operation,and Considerate Service”,our business mainly focus on the distribution of electronic components. Line cards we deal with include Microchip,ALPS,ROHM,Xilinx,Pulse,ON,Everlight and Freescale. Main products comprise IC,Modules,Potentiometer,IC Socket,Relay,Connector.Our parts cover such applications as commercial,industrial, and automotives areas.

We are looking forward to setting up business relationship with you and hope to provide you with the best service and solution. Let us make a better world for our industry!



Contact us

Tel: +86-755-8981 8866 Fax: +86-755-8427 6832

Email & Skype: info@chipsmall.com Web: www.chipsmall.com

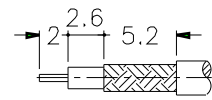
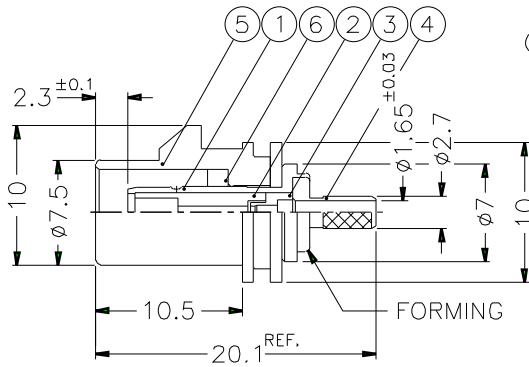
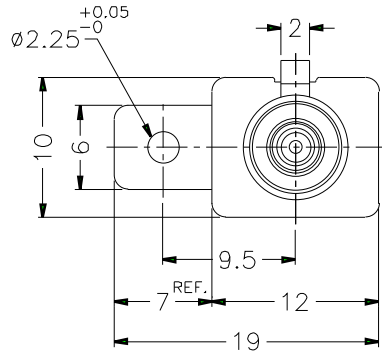
Address: A1208, Overseas Decoration Building, #122 Zhenhua RD., Futian, Shenzhen, China



1 2 3 4 5 6 7 8

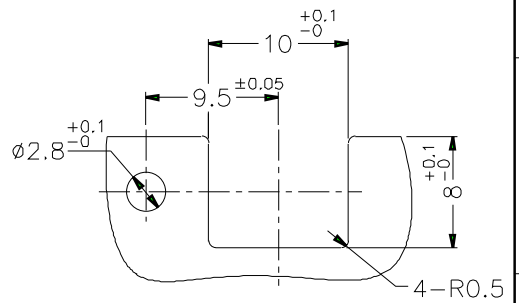
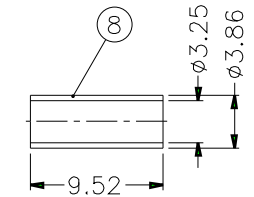
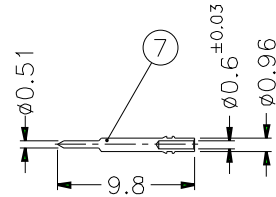
REVISIONS		
ISS	ZONE	DESCRIPTION\PER REQUEST\DATE

CONFIGURATION CONTROL:
NO CHANGES PERMITTED TO DRAWING WITHOUT
PPAP QUALIFIED CUSTOMER APPROVAL



RECOMMENDED
CABLE STRIPPING DIM'S

1. CRIMPED FERRULE
HEX CRIMP SIZE .128"
2. CRIMPED CONTACT PIN
SQ. CRIMP SIZE 0.7 MM



RECOMMENDED
MOUNTING HOLE

TABLE

KEY CODING	D/N	P/N	LOCK COVER
A	FK1321AW-007-NT30G-50	FA1-NASP-C01-0	FKLC10201A
B	FK1321BW-007-NT30G-50	FA1-NBSP-C01-0	FKLC10202A
C	FK1321CW-007-NT30G-50	FA1-NCSP-C01-0	FKLC10203A
D	FK1321DW-007-NT30G-50	FA1-NDSP-C01-0	FKLC10204A
E	FK1321EW-007-NT30G-50	FA1-NESP-C01-0	FKLC10205A
F	FK1321FW-007-NT30G-50	FA1-NFSP-C01-0	FKLC10206A
G	FK1321GW-007-NT30G-50	FA1-NGSP-C01-0	FKLC10207A
H	FK1321HW-007-NT30G-50	FA1-NHSP-C01-0	FKLC10208A
I	FK1321IW-007-NT30G-50	FA1-NISP-C01-0	FKLC10209A
K	FK1321KW-007-NT30G-50	FA1-NKSP-C01-0	FKLC10210A
Z	FK1321ZW-007-NT30G-50	FA1-NZSP-C01-0	FKLC10211A

- NOTES: FINISH (PLATING THICKNESS IN MICRO-INCHES)
1. BRASS PER QQ-B-626, ALLOY 360, 1/2 H ; JIS H3250 C 3604BD OR EQUIVALENT
 2. NICKEL PL. 60 MIN. THICK OVER COPPER STRIKE
 3. GOLD PL. 30 MIN. THICK OVER NICKEL PL. 100 MIN. THICK OVER COPPER STRIKE
 4. TEFLON MIL-P-19468 OR EQUIVALENT
 5. COPPER PER ASTM B-75 ALLOY C12200 OR EQUIVALENT
 6. PBT(WITH 15% GLASS FIBER) PER CHANG CHUN GRADE 4115202 OR EQUIVALENT

NO.	DESCRIPTION	MATERIAL	FINISH	Q'TY	DRAWING NO.	SCALE	2/1	ISSUE	1	PART NO.	DATE	TITLE	
8	FERRULE	NOTE 5	NATURAL	1	FKFR00101A	DIMENSIONS ARE IN MILLIMETERS UNLESS OTHERWISE SPECIFIED TOLERANCES 0.5-6 = ±0.2 6-30 = ±0.4 30-120 = ±0.6 120-315 = ±1 315-1000 = ±1.6 1000-2000 = ±2.4				FA1-NXSP-C01-0	10-04-01'	Amphenol Danbury,CT,USA-Tainan,Taiwan-Shenzhen,China	
7	CONTACT PIN	NOTE 1	NATURAL	1	FKCP00101A		APPROVED				DATE	10-04-01'	TITLE
6	RING	NOTE 1	NATURAL	1	FKLR00101A		CHECKED				DATE	10-04-01'	(FOR RG-174/U, 188A/U, 316/U CABLE)
5	LOCK COVER	NOTE 6	NATURAL	1	SEE TABLE		DRAWN				DATE	10-04-01'	DRAWING NO.
4	BARREL	NOTE 1	NATURAL	1	FKBR00101B		ANGELA				DATE	10-04-01'	KJ-FK1321XX-007-NT30G-50
3	INSULATOR	NOTE 4	NATURAL	1	FKNS00201A						DATE	10-04-01'	FILE NO.
2	INSULATOR	NOTE 4	NATURAL	1	FKNS00101A						DATE	10-04-01'	F:\DWG\FK\FA1\NXSP\C01\0
1	MAIN BODY	NOTE 1	NATURAL	1	FKMB00101A						DATE	10-04-01'	

1 2 3 4 5 6 7 8