



Chipsmall Limited consists of a professional team with an average of over 10 year of expertise in the distribution of electronic components. Based in Hongkong, we have already established firm and mutual-benefit business relationships with customers from,Europe,America and south Asia,supplying obsolete and hard-to-find components to meet their specific needs.

With the principle of “Quality Parts,Customers Priority,Honest Operation,and Considerate Service”,our business mainly focus on the distribution of electronic components. Line cards we deal with include Microchip,ALPS,ROHM,Xilinx,Pulse,ON,Everlight and Freescale. Main products comprise IC,Modules,Potentiometer,IC Socket,Relay,Connector.Our parts cover such applications as commercial,industrial, and automotives areas.

We are looking forward to setting up business relationship with you and hope to provide you with the best service and solution. Let us make a better world for our industry!



Contact us

Tel: +86-755-8981 8866 Fax: +86-755-8427 6832

Email & Skype: info@chipsmall.com Web: www.chipsmall.com

Address: A1208, Overseas Decoration Building, #122 Zhenhua RD., Futian, Shenzhen, China



REVISIONS		
ISS	ZONE	DESCRIPTION\PER REQUEST\DATE

CONFIGURATION CONTROL:
 NO CHANGES PERMITTED TO DRAWING WITHOUT
 PPAP QUALIFIED CUSTOMER APPROVAL

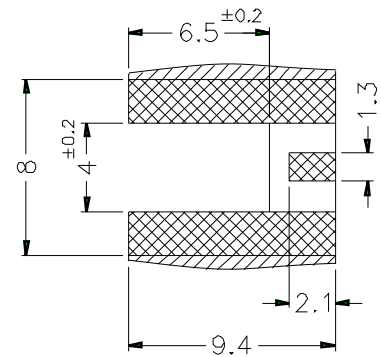
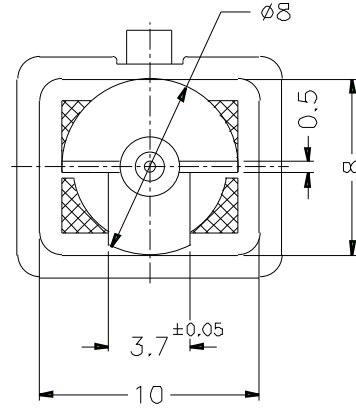
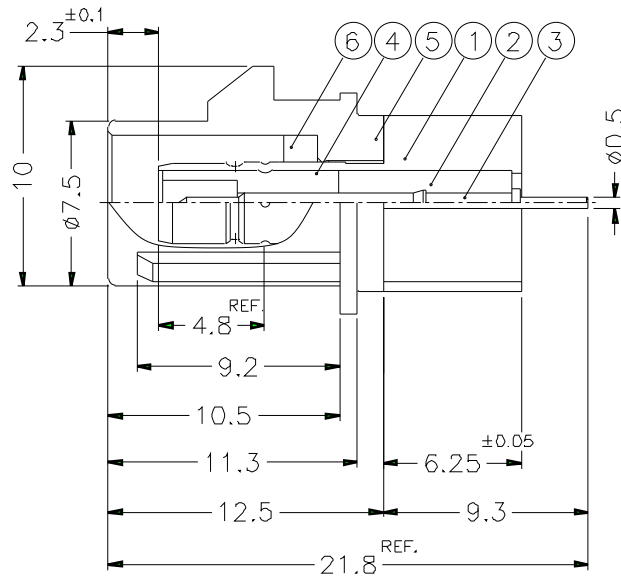
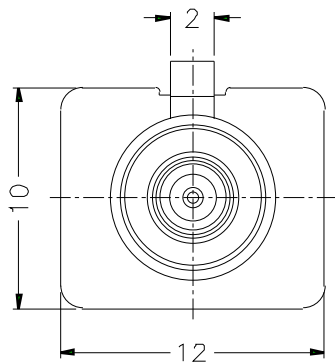


TABLE PCB MOUNTING HOLE

KEY CODING	D/N	P/N	LOCK COVER
A	FK1251AW-001-3GT30G-50	FA1-NASP-PCB-1	FKLC10201A
B	FK1251BW-001-3GT30G-50	FA1-NBSP-PCB-1	FKLC10202A
C	FK1251CW-001-3GT30G-50	FA1-NCSP-PCB-1	FKLC10203A
D	FK1251DW-001-3GT30G-50	FA1-NDSP-PCB-1	FKLC10204A
E	FK1251EW-001-3GT30G-50	FA1-NESP-PCB-1	FKLC10205A
F	FK1251FW-001-3GT30G-50	FA1-NFSP-PCB-1	FKLC10206A
G	FK1251GW-001-3GT30G-50	FA1-NGSP-PCB-1	FKLC10207A
H	FK1251HW-001-3GT30G-50	FA1-NHSP-PCB-1	FKLC10208A
I	FK1251IW-001-3GT30G-50	FA1-NISP-PCB-1	FKLC10209A
K	FK1251KW-001-3GT30G-50	FA1-NKSP-PCB-1	FKLC10210A
Z	FK1251ZW-001-3GT30G-50	FA1-NZSP-PCB-1	FKLC10211A

NOTES: FINISH (PLATING THICKNESS IN MICRO-INCHES)

- BRASS PER QQ-B-626, ALLOY 360, 1/2 H ; JIS H3250 C 3604BD OR EQUIVALENT
- GOLD PL. 30 MIN. THICK OVER NICKEL PL. 100 MIN. THICK OVER COPPER STRIKE
- GOLD PL. 3 MIN. THICK OVER NICKEL PL. 100 MIN. THICK OVER COPPER STRIKE
- TEFLON MIL-P-19468
- PBT(WITH 15% GLASS FIBER) PER CHANG CHUN GRADE 4115202 OR EQUIVALENT

DIMENSIONS ARE IN MILLIMETERS						PART NO.		TITLE	
6	RING	NOTE 1	NOTE 3	1	FKLR00101A	FA1-NXSP-PCB-1		Amphenol Danbury,CT,USA-Tainan,Taiwan-Shenzehn,China	
5	LOCK COVER	NOTE 5		1	SEE TABLE	APPROVED	DATE	TITLE	
4	INSULATOR	NOTE 4	NATURAL	1	SMB2071A1-2T-50		10-16-01'	FAKRA EDGE CARD PCB MOUNT PLUG	
3	CONTACT PIN	NOTE 1	NOTE 2	1	SMB125100-003-3	CHECKED	DATE	DRAWING NO.	
2	INSULATOR	NOTE 4	NATURAL	1	SMB125100-003-2T-50		10-16-01'	KJ-FK1251XX-001-3GT30G-50	
1	BODY	NOTE 1	NOTE 3	1	FK1251CW-001-1	DRAWN	DATE	FILE NO.	
UNLESS OTHERWISE SPECIFIED TOLERANCES 0.5-6 = ±0.2 6-30 = ±0.4 30-120 = ±0.6 120-315 = ±1 315-1000 = ±1.6 1000-2000 = ±2.4						ANGELA		F:\DWG\FK\FA1\NXSP\PCB\1	
NO.	DESCRIPTION	MATERIAL	FINISH	Q'TY	DRAWING NO.	SCALE	3/1	ISSUE	1