



Chipsmall Limited consists of a professional team with an average of over 10 year of expertise in the distribution of electronic components. Based in Hongkong, we have already established firm and mutual-benefit business relationships with customers from,Europe,America and south Asia,supplying obsolete and hard-to-find components to meet their specific needs.

With the principle of "Quality Parts,Customers Priority,Honest Operation,and Considerate Service",our business mainly focus on the distribution of electronic components. Line cards we deal with include Microchip,ALPS,ROHM,Xilinx,Pulse,ON,Everlight and Freescale. Main products comprise IC,Modules,Potentiometer,IC Socket,Relay,Connector.Our parts cover such applications as commercial,industrial, and automotives areas.

We are looking forward to setting up business relationship with you and hope to provide you with the best service and solution. Let us make a better world for our industry!



## Contact us

Tel: +86-755-8981 8866 Fax: +86-755-8427 6832

Email & Skype: info@chipsmall.com Web: www.chipsmall.com

Address: A1208, Overseas Decoration Building, #122 Zhenhua RD., Futian, Shenzhen, China



版数 VER.	年月日 DATE	CN NO.	変更内容 DESCRIPTION	製図 DR.	担当 CHK.	査閲 APPD.	承認 APPD.
2	01/JUL/2011	072303	CHANGED APPLICABLE F.P.C DIMENSION		K. ASHIBU	T. NEMOTO	M. KIKUCHI
3	26/JUL/2011	072484	CHANGED CONNECTOR SHAPE		K. ASHIBU	T. NEMOTO	Y. YAHIRO
4	09/NOV/2011	000660	CHANGED CONNECTOR SHAPE AND APPLICABLE F.P.C DIMENSION		K. ASHIBU	T. NEMOTO	M. KIKUCHI
5	24/AUG/2012	003427	CHANGED CONNECTOR SHAPE AND APPLICABLE F.P.C AND P.C.B DIMENSION		K. ASHIBU	T. NEMOTO	M. KIKUCHI
6	07/DEC/2012	004596	ADDED NEW ITEMS etc		K. ASHIBU	T. NEMOTO	M. KIKUCHI
7	18/DEC/2012	004807	CORRECTED TABLE 2. etc		K. ASHIBU	T. NEMOTO	M. KIKUCHI

TABLE 2. DIMENSIONS

PRODUCT NO.	A	B	C	D	E	F
FA1004SA1	3.5	1.5	2.97	1.85	0.5	1.18
FA1005SA1	4.0	2.0	3.47	2.35	1.0	1.68
FA1006SA1	4.5	2.5	3.97	2.85	1.5	2.18
FA1010SA1	6.5	4.5	5.97	4.85	3.5	4.18

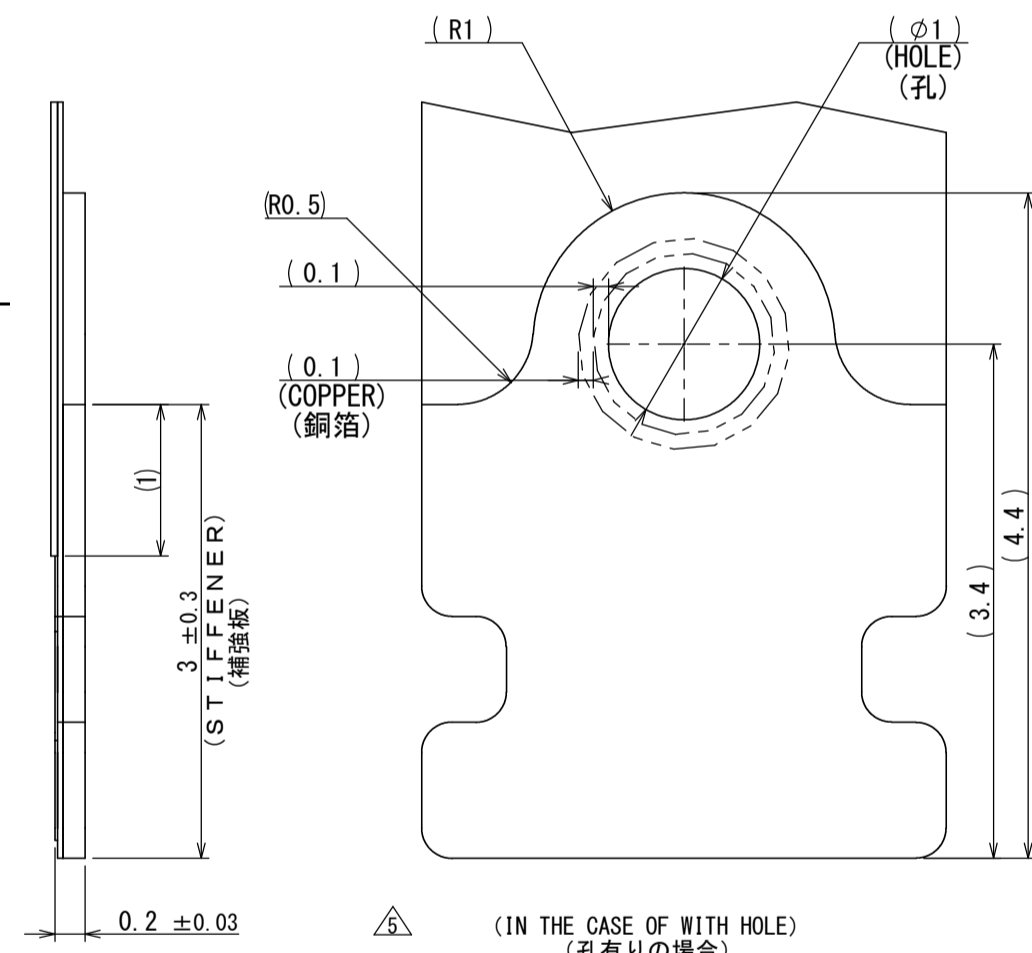
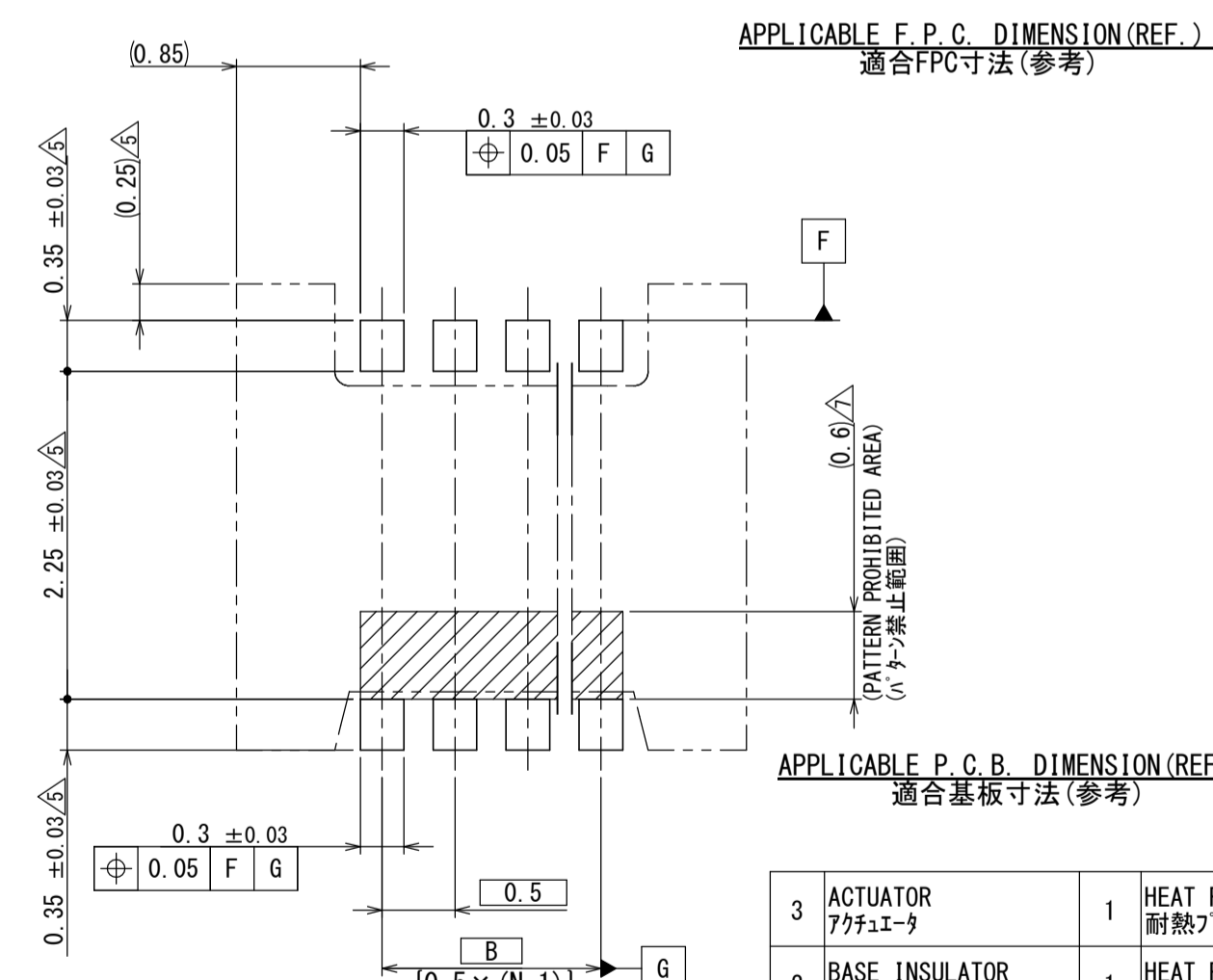
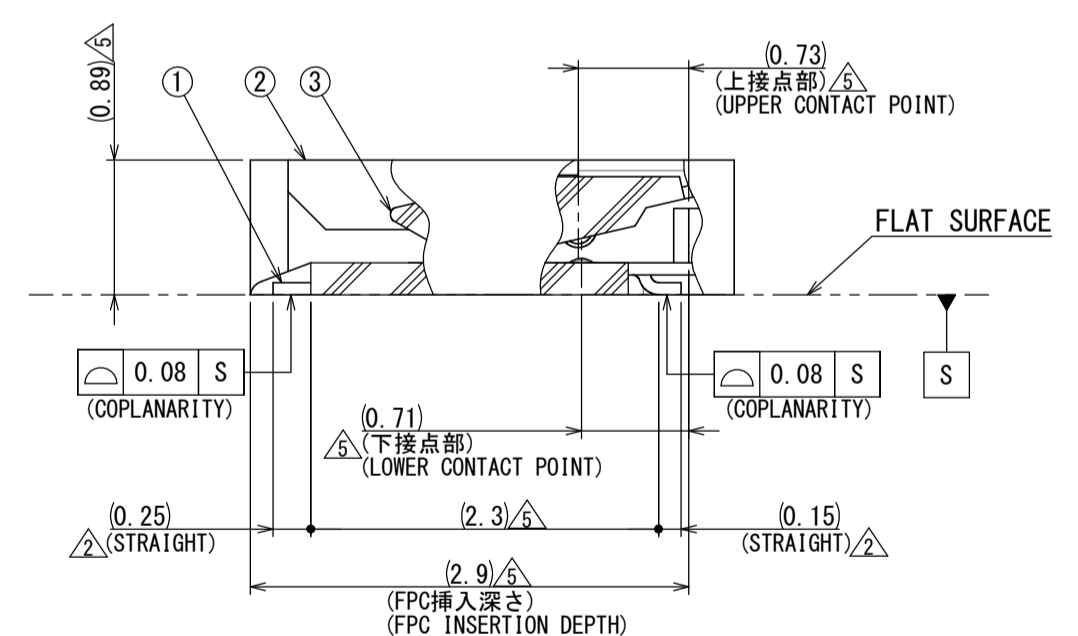
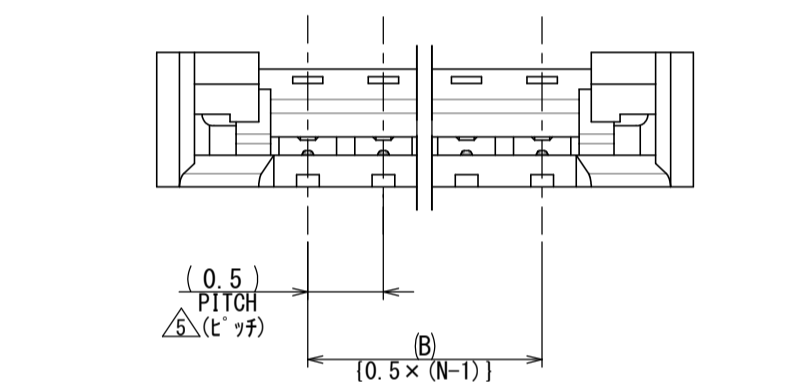
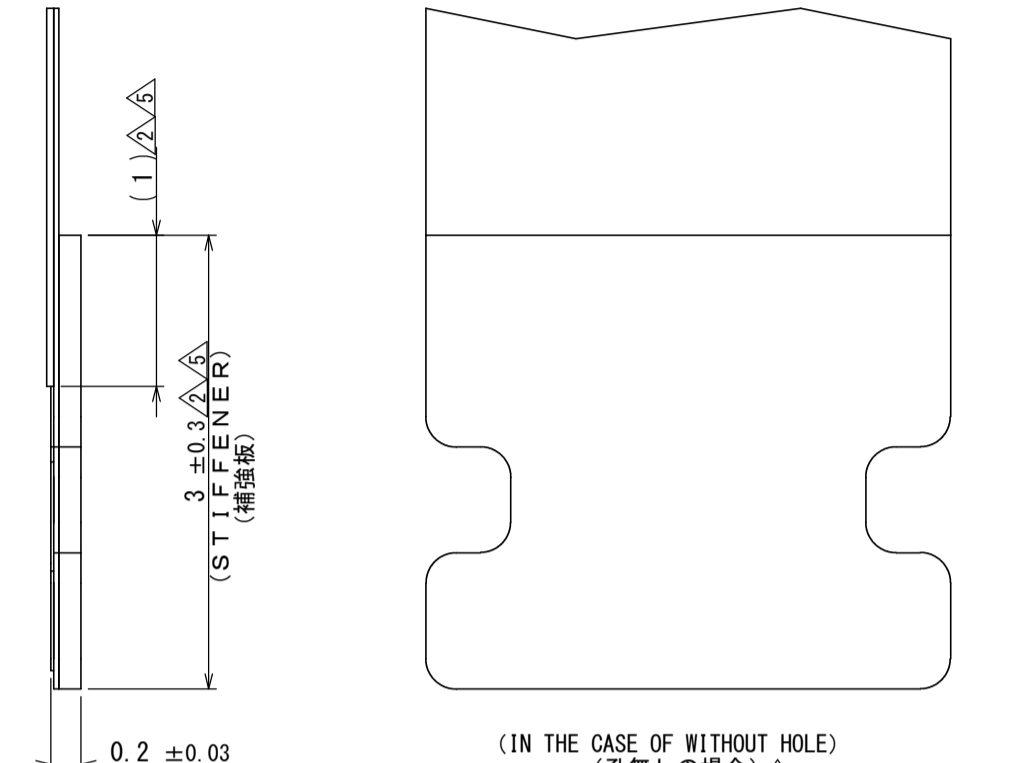
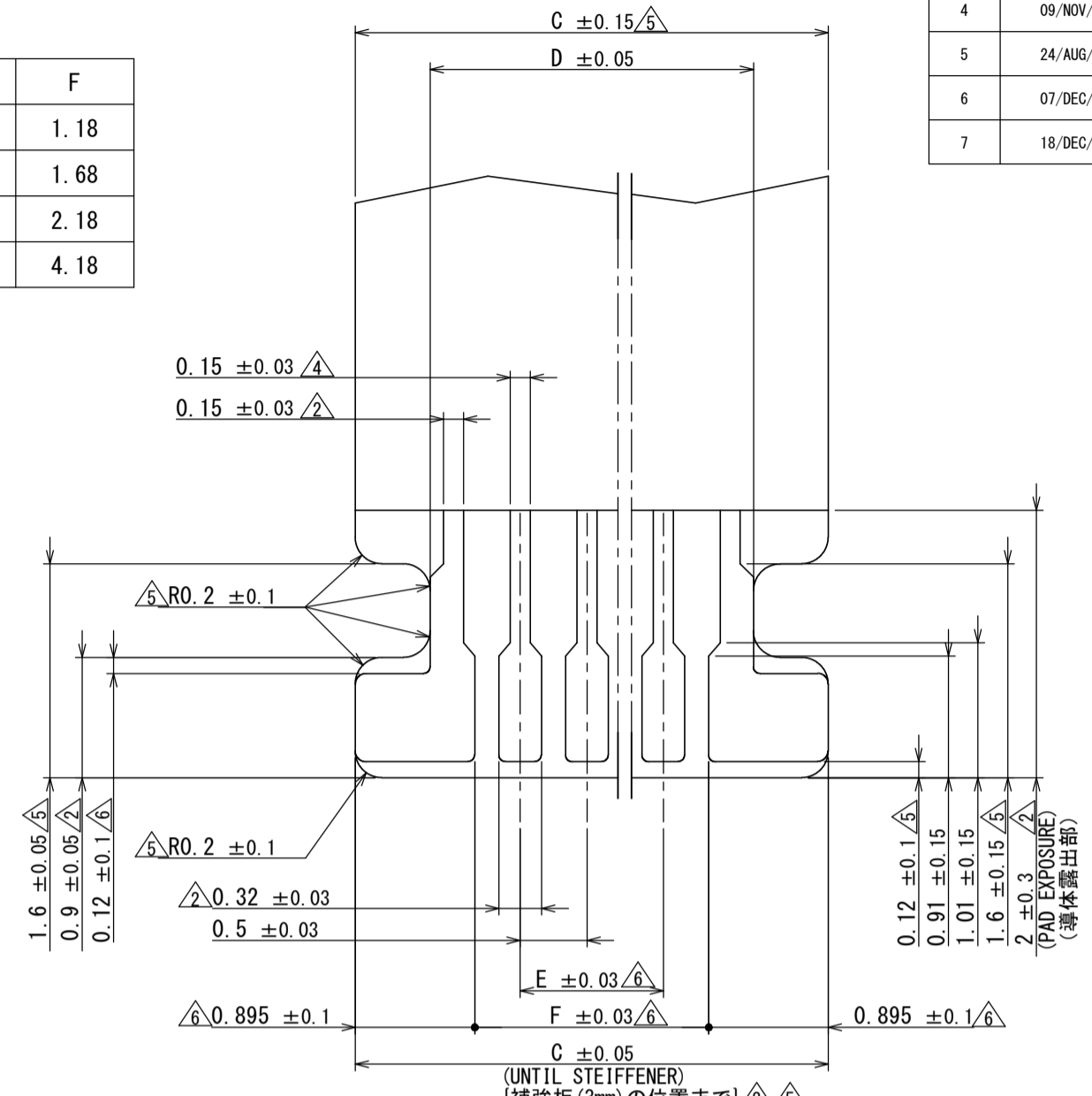
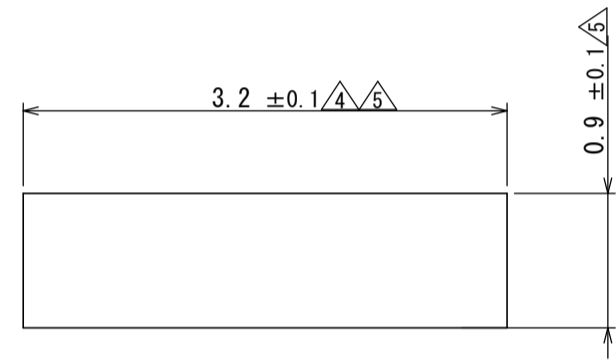
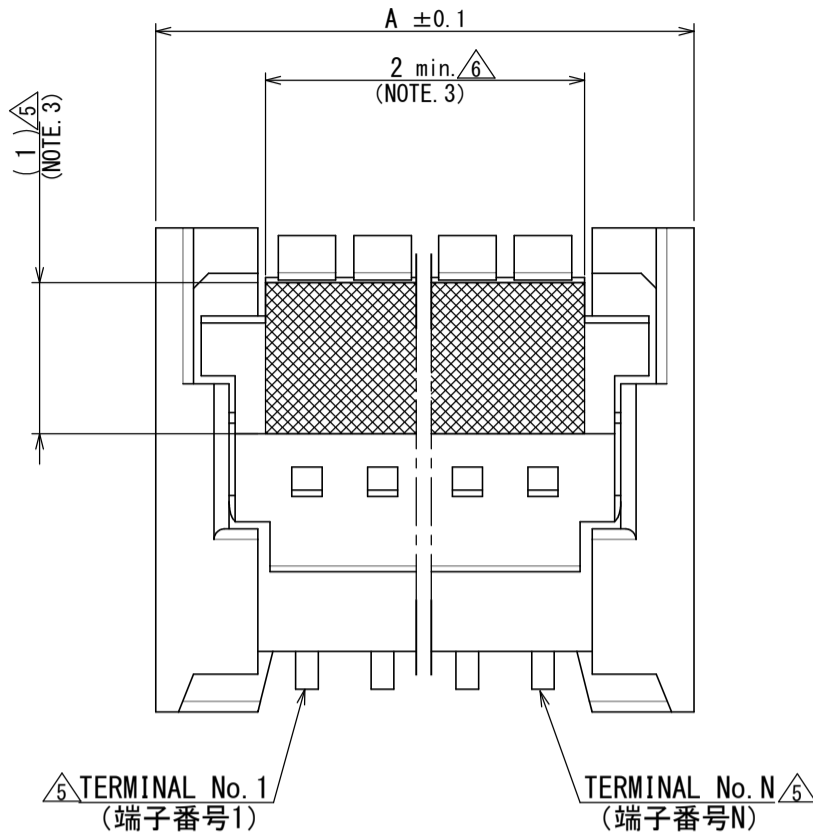


TABLE 1. RECOMMENDED F.P.C. COMPOSITION

COMPOSITION 層名	RECOMMENDED 推奨
GOLD PLATING 金めっき	ELECTROLYSIS PLATING 電解めっき 0.1 μm MIN.
COPPER 銅箔	ROLLED MATERIAL 圧延銅 18 μm MAX.
ADHESIVE 接着剤	THERMOSETTING ADHESIVE 熱硬化性 -
BASE FILM ベースフィルム	POLYIMIDE ポリイミド 25 μm
ADHESIVE 接着剤	THERMOSETTING ADHESIVE 熱硬化性 30 μm MAX.
REINFORCE PLATE 補強板	POLYIMIDE ポリイミド -

- NOTE
- REFER TO TABLE1 FOR RECOMMENDED FPC COMPOSITION.
  - A NICKEL BARRIER EXISTS BETWEEN CONTACT POINT AND TAIL.
  - THE DIMENSIONS OF VACUUMING COVER AREA.
  - RECOMMENDED F.P.C. PUNCHER DIRECTION ARE FROM CONDUCTOR SIDE TO STIFFNER FILME SIDE.
  - CAVITY AND LOT NUMBER IS MARKED ON THE TOP PORTION OF THE CONNECTOR.
  - THIS PRODUCT IS HALOGEN-FREE
- 注記
- 推奨FPC構成はTABLE1参照のこと。
  - コンタクト接点とSMT部の間にはニッケルバリアがあります。
  - 吸着エリアを示す。
  - FPC抜き方向は、導体側から補強板側を推奨します。
  - キャビティおよびロット番号がコネクタ上面に表記されます。
  - 本製品はハロゲンフリー品です。

3	ACTUATOR アクチュエータ	1	HEAT RESISTING PLASTICS 耐熱プラスチック		COLOR : BLACK/色相 : 黒色 UL94V-0
2	BASE INSULATOR ベースインシュレータ	1	HEAT RESISTING PLASTICS 耐熱プラスチック		COLOR : BLACK/色相 : 黒色 UL94V-0
1	CONTACT コンタクト	N	COPPER ALLOY 銅合金	PARIAL GOLD(0.1 μm MIN.) OVER NICKEL ニッケル上部分Au 0.1 μm以上	

仕様書(SPECIFICATION)  
JACS-10931-\*( $\triangle$ )  
JAHL-10931 ( $\triangle$ )

第1版(ORIGINAL DATE)  
01/APR/2011

尺度(SCALE)  
1:5

シリアルズ(SERIES)  
FA10

製図 DR. 担当 CHK. K. ASHIBU  
査閲 APPD. 承認 APPD. M. KIKUCHI

名称(TITLE)  
FA10\*\*SA1

図面番号(DRAWING NO.)  
SJ111450

版数(VER.)  
7