



Chipsmall Limited consists of a professional team with an average of over 10 year of expertise in the distribution of electronic components. Based in Hongkong, we have already established firm and mutual-benefit business relationships with customers from,Europe,America and south Asia,supplying obsolete and hard-to-find components to meet their specific needs.

With the principle of “Quality Parts,Customers Priority,Honest Operation,and Considerate Service”,our business mainly focus on the distribution of electronic components. Line cards we deal with include Microchip,ALPS,ROHM,Xilinx,Pulse,ON,Everlight and Freescale. Main products comprise IC,Modules,Potentiometer,IC Socket,Relay,Connector.Our parts cover such applications as commercial,industrial, and automotives areas.

We are looking forward to setting up business relationship with you and hope to provide you with the best service and solution. Let us make a better world for our industry!



Contact us

Tel: +86-755-8981 8866 Fax: +86-755-8427 6832

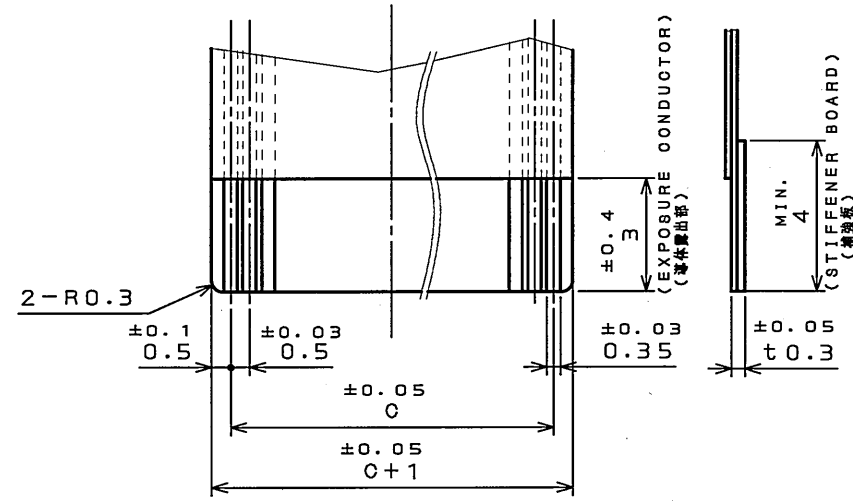
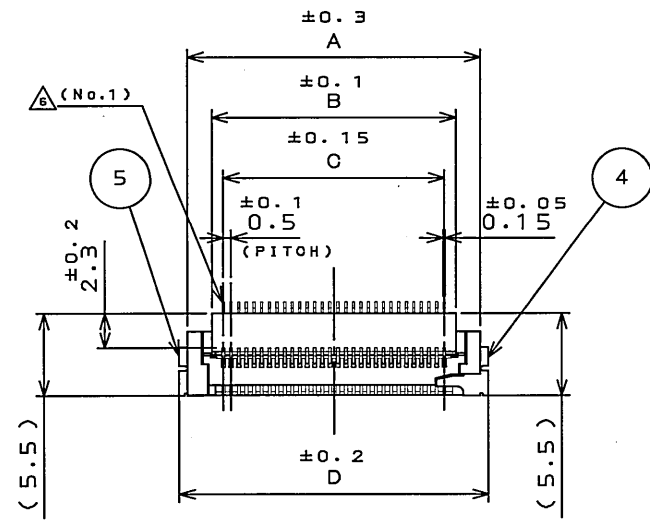
Email & Skype: info@chipsmall.com Web: www.chipsmall.com

Address: A1208, Overseas Decoration Building, #122 Zhenhua RD., Futian, Shenzhen, China



8Z89E0P8
(DRAWING NO.)

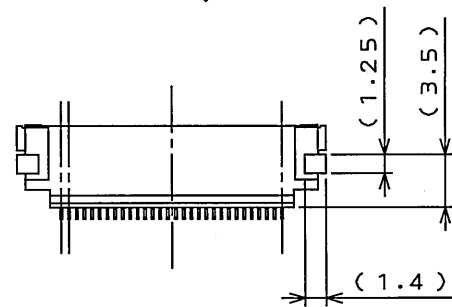
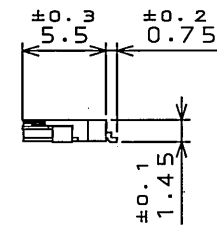
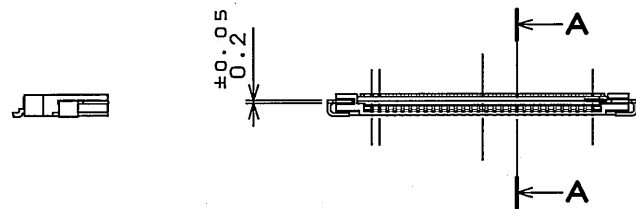
版数 REV.	年月日 DATE	DCN NO.	変更内容 DESCRIPTION	製図 DR.	担当 CHK.	査閲 APPD.	承認 APPD.
6	5.Feb.2007	062203	REDRAWN etc.		H.YOKOO	J. Kudo	K. Harada



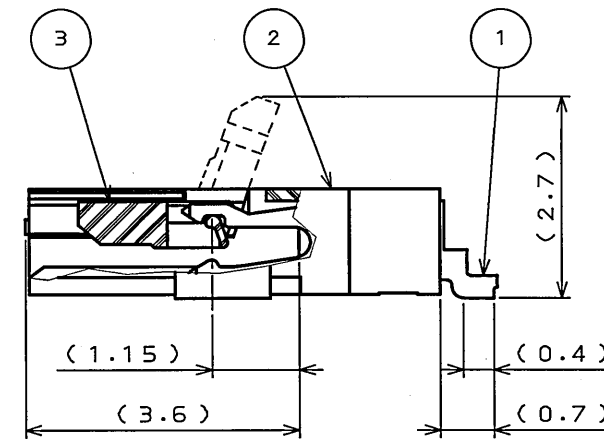
APPLICABLE F.P.C. DIMENSION (REF.)
適合FPC寸法(参考)

TABLE 1

NO. OF CONTACT	A	B	C	D	E
6	7.2	4.0	2.5	8.3	8.7
8	8.2	5.0	3.5	9.3	9.7
10	9.2	6.0	4.5	10.3	10.7
15	11.7	8.5	7.0	12.8	13.2
16	12.2	9.0	7.5	13.3	13.7
18	13.2	10.0	8.5	14.3	14.7
20	14.2	11.0	9.5	15.3	15.7
22	15.2	12.0	10.5	16.3	16.7
24	16.2	13.0	11.5	17.3	17.7
26	17.2	14.0	12.5	18.3	18.7
30	19.2	16.0	14.5	20.3	20.7
36	22.2	19.0	17.5	23.3	23.7
40	24.2	21.0	19.5	25.3	25.7
45	26.7	23.5	22.0	27.8	28.2
50	29.2	26.0	24.5	30.3	30.7



MATED CONDITION (REF.)
嵌合状態図(参考)



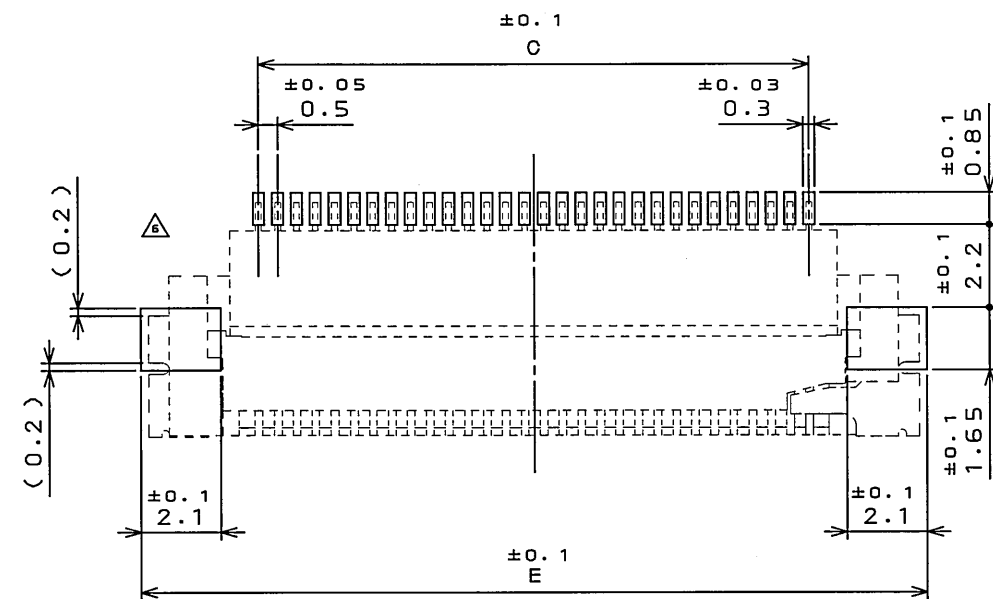
SECT. A-A
(SCALE 10:1)

TABLE 2

FINISH	CONTACT PART	TERMINAL PART
1	GOLD PLATING	LEAD-FREE TIN ALLOY PLATING

注1.仕上げは金メッキのこと。

NOTE1. EXPOSURE CONDUCTORS SHOULD BE GIVEN GOLD PLATING.



APPLICABLE P.C.B. DIMENSION (REF.)
適合基板寸法(参考)

符号 NO.	名称 DESCRIPTION	個数 QTY.	材料 MATERIAL	仕上 FINISH	備考 REMARKS
5	HOLD-DOWN-L	1	COPPER ALLOY	LEAD-FREE TIN ALLOY PLATING	
4	HOLD-DOWN-R	1	COPPER ALLOY	LEAD-FREE TIN ALLOY PLATING	
3	ACTUATOR	1	GLASS FILLED NY		COLOR: WHITE UL94V-0
2	BASE INSULATOR	1	GLASS FILLED LCP		COLOR: BLACK UL94V-0
1	CONTACT	TABLE 1	COPPER ALLOY	TABLE 2	

仕様書 (SPECIFICATION)		第1版 (ORIGINAL DATE)		尺度 (SCALE)		シリーズ (SERIES)		備考 (REMARKS)	
JACS-1710 JAHL-1710		5.JUL.2002		2:1		FA5		日本航空電子工業株式会社 JAPAN AVIATION ELECTRONICS INDUSTRY, LTD.	
製図 DR. K.HIROSE		担当 CHK. T.KUDO		名称 (TITLE) FA5S***HP1				図面番号 (DRAWING NO.) SJ036878	
一般公差 (GENERAL TOLERANCE)		製図 DR. K.HIROSE		名称 (TITLE) FA5S***HP1				図面番号 (DRAWING NO.) SJ036878	
寸法 (DIMENSION)		製図 DR. K.HIROSE		名称 (TITLE) FA5S***HP1				図面番号 (DRAWING NO.) SJ036878	
. ±0.8		製図 DR. K.HIROSE		名称 (TITLE) FA5S***HP1				図面番号 (DRAWING NO.) SJ036878	
.X ±0.4		製図 DR. K.HIROSE		名称 (TITLE) FA5S***HP1				図面番号 (DRAWING NO.) SJ036878	
.XX ±0.1		製図 DR. K.HIROSE		名称 (TITLE) FA5S***HP1				図面番号 (DRAWING NO.) SJ036878	
.XXX ±		製図 DR. K.HIROSE		名称 (TITLE) FA5S***HP1				図面番号 (DRAWING NO.) SJ036878	
		承認 APPD. T.MORINO		質量 (MASS)				図面番号 (DRAWING NO.) SJ036878	

LEAD FREE この製品は鉛フリー品です