



Chipsmall Limited consists of a professional team with an average of over 10 year of expertise in the distribution of electronic components. Based in Hongkong, we have already established firm and mutual-benefit business relationships with customers from,Europe,America and south Asia,supplying obsolete and hard-to-find components to meet their specific needs.

With the principle of “Quality Parts,Customers Priority,Honest Operation,and Considerate Service”,our business mainly focus on the distribution of electronic components. Line cards we deal with include Microchip,ALPS,ROHM,Xilinx,Pulse,ON,Everlight and Freescale. Main products comprise IC,Modules,Potentiometer,IC Socket,Relay,Connector.Our parts cover such applications as commercial,industrial, and automotives areas.

We are looking forward to setting up business relationship with you and hope to provide you with the best service and solution. Let us make a better world for our industry!



Contact us

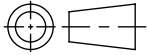
Tel: +86-755-8981 8866 Fax: +86-755-8427 6832

Email & Skype: info@chipsmall.com Web: www.chipsmall.com

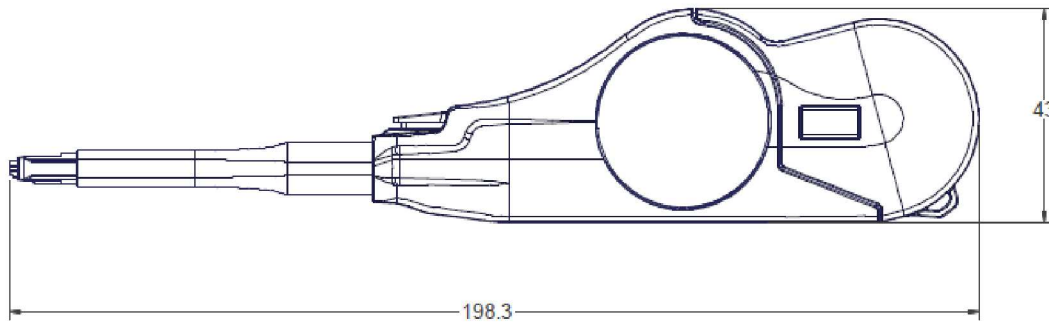
Address: A1208, Overseas Decoration Building, #122 Zhenhua RD., Futian, Shenzhen, China



SW2014



| Revision level | | | Revision Record | Changed | Date | Approved | Date |
|----------------|----------------|------|-----------------|---------|-----------|----------|-----------|
| Drawing | State | Part | | | | | |
| 00.0 | Design Release | | SEE ECN# 013482 | GRW | 6/29/2016 | KAC | 6/29/2016 |



NOTES:

1. THIS PRODUCT COMPLIES WITH THE EU DIRECTIVE 2002/95/EC ON THE RESTRICTION OF THE USE OF HAZARDOUS SUBSTANCES IN ELECTRICAL AND ELECTRONIC EQUIPMENT (RoHS).
2. -INDIVIDUAL BOX DIMENSIONS:
L215 x W50 x H30 mm
-10pc. CARTON DIMENSIONS:
L220 x W154 x H106 mm
3. SHIPPING WEIGHTS: INDIVIDUAL = 58g
CASE = 827g

| | | | | | | | | | | |
|------------------------------|---|---|--|-----|-----------|------------------------------------|--------------------|-----------------------------|------------------------|-------------|
| Material ASSEMBLED | Units: millimeters Dimension without tolerances details to: .XXX = ±.013 .XX = ±.13 .X = ±.3 None = ±.8 ∠ = ±0.5° Dimension Formatted mm/[in] | The copyright of this drawing is reserved by HellermannTyton. It is issued on condition that it is not reproduced, copied, or disclosed to a third party, either wholly or in part, without the consent of HellermannTyton. | Drawn | GRW | 6/28/2016 | Article/Type-No 855-49208 / FACMTP | Scale | 1:1 | | |
| | | | Approved | KAC | 6/28/2016 | | Title | MTP BULKHEAD CLEANER | Project Number | PRP 16-1258 |
| | | | North America Email: corp@htamericas.com Web: www.hellermann.tyton.com | | | Drawing-No | PRODUCTION : Phase | | Format | AH |
| | | | | | | | | | 16-1258-001-CSU | |