



Chipsmall Limited consists of a professional team with an average of over 10 year of expertise in the distribution of electronic components. Based in Hongkong, we have already established firm and mutual-benefit business relationships with customers from,Europe,America and south Asia,supplying obsolete and hard-to-find components to meet their specific needs.

With the principle of “Quality Parts,Customers Priority,Honest Operation,and Considerate Service”,our business mainly focus on the distribution of electronic components. Line cards we deal with include Microchip,ALPS,ROHM,Xilinx,Pulse,ON,Everlight and Freescale. Main products comprise IC,Modules,Potentiometer,IC Socket,Relay,Connector.Our parts cover such applications as commercial,industrial, and automotives areas.

We are looking forward to setting up business relationship with you and hope to provide you with the best service and solution. Let us make a better world for our industry!



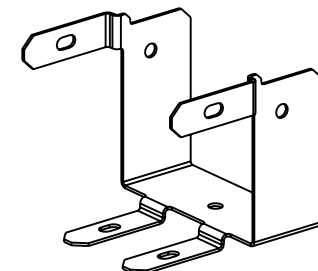
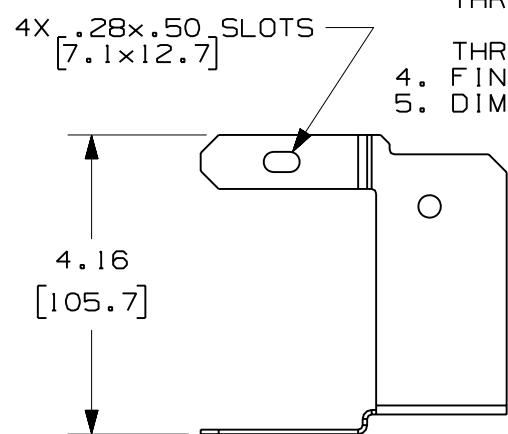
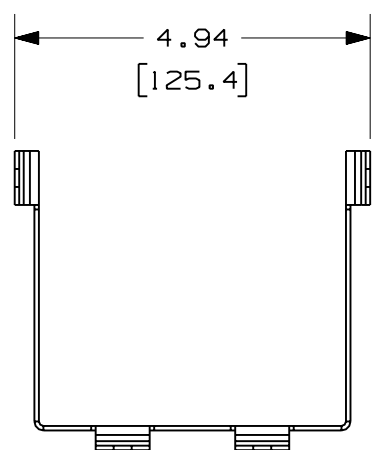
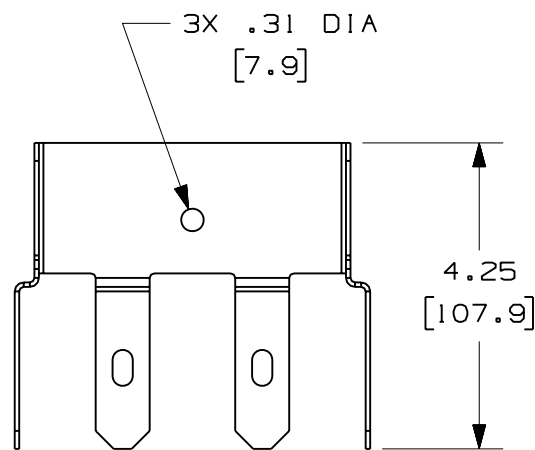
## Contact us

Tel: +86-755-8981 8866 Fax: +86-755-8427 6832

Email & Skype: info@chipsmall.com Web: www.chipsmall.com

Address: A1208, Overseas Decoration Building, #122 Zhenhua RD., Futian, Shenzhen, China





PANDUIT PART NUMBER	WEIGHT
FADC4X4	0.55 LB/EACH (251g/EACH)

**NOTES:**

- SEE CURRENT CATALOG FOR ADDITIONAL PART SUFFIXES TO INDICATE PACKAGE QUANTITY.
- THE FIBER-DUCT 4x4 TO ADC 4x4 FIBERGUIDE FIBER CABLE MANAGEMENT SYSTEM ADAPTER ATTACHES TO THE ADC 4x4 FIBERGUIDE HORIZONTAL STRAIGHT SECTION USING THE SUPPLIED METALLIC HARDWARE LISTED BELOW. THE ADAPTER THEN ALLOWS FOR THE ATTACHMENT OF THE FIBER-DUCT 4x4 SOLID OR SLOTTED WALL CHANNEL USING THE SUPPLIED NYLON HARDWARE LISTED BELOW.
- THE FIBER-DUCT 4x4 TO ADC 4x4 FIBERGUIDE FIBER CABLE MANAGEMENT SYSTEM ADAPTER INCLUDES:  
 ONE (1) ADAPTER,  
 FOUR (4) 1/4-20x5/8 HEX HEAD CAP SCREWS,  
 FOUR (4) 1/4-20 HEX NUTS,  
 FOUR (4) .312x.734x.065 TYPE A PLAIN WASHERS,  
 THREE (3) 1/4-20x5/8 NYLON COMBINATION BINDING HEAD MACHINE SCREWS,  
 THREE (3) 1/4-20 NYLON DECO WING NUTS.
- FINISH COLOR: BLACK (EXCEPT FOR METALLIC HARDWARE)
- DIMENSIONS IN PARENTHESES ARE IN METRIC.

ENG. REF.: 37291BG\_DC\_FADC4X4\_01.prt

CAD FILENAME/LAYERS: FADC4X4.pdf

**PANDUIT** CORP. TINLEY PARK, ILLINOIS  
 FIBER-DUCT 4x4 TO ADC 4x4 FIBERGUIDE FIBER CABLE MANAGEMENT SYSTEM ADAPTER (FADC4X4)  
 CUSTOMER DRAWING

REV	DATE	BY	CHK	DESCRIPTION	ECN	R	CUST	SUP	GMBH
-	-----	---	--	E. REVISED GENERAL NOTES. D. REVISED DRAWING TITLE.	-----	--	--		
2	6-16-06	MSO	RN	C. REVISED CAD FILENAME. B. REV'D DWG. TO CUR. STAND.	37291-10	RN	RN		
1	1-31-01	MSO	WAB	A. ADDED DIM. TOLERANCE.	37291-10	HIW	HIW		
R	2-14-00	JHNU	WAB	RELEASED TO PRODUCTION	37291-10	HIW	HIW		

UNLESS OTHERWISE SPECIFIED, DIMENSIONAL TOLERANCES ARE: (.X) ± (.XXX) ± (.XX) ± .03 (.8) ANGLES ±		UNLESS OTHERWISE SPECIFIED, ALL DIMENSIONS ARE GIVEN IN INCHES, THIRD ANGLE PROJECTION.	
DRAWN BY: JHNU	MAT'L: STEEL	SCALE: NONE	
DATE: 2-14-00		DRAWING NO.: 37291-10	DWG. SIZE: A
CHK'D: WAB			