



Chipsmall Limited consists of a professional team with an average of over 10 year of expertise in the distribution of electronic components. Based in Hongkong, we have already established firm and mutual-benefit business relationships with customers from,Europe,America and south Asia,supplying obsolete and hard-to-find components to meet their specific needs.

With the principle of “Quality Parts,Customers Priority,Honest Operation,and Considerate Service”,our business mainly focus on the distribution of electronic components. Line cards we deal with include Microchip,ALPS,ROHM,Xilinx,Pulse,ON,Everlight and Freescale. Main products comprise IC,Modules,Potentiometer,IC Socket,Relay,Connector.Our parts cover such applications as commercial,industrial, and automotives areas.

We are looking forward to setting up business relationship with you and hope to provide you with the best service and solution. Let us make a better world for our industry!



Contact us

Tel: +86-755-8981 8866 Fax: +86-755-8427 6832

Email & Skype: info@chipsmall.com Web: www.chipsmall.com

Address: A1208, Overseas Decoration Building, #122 Zhenhua RD., Futian, Shenzhen, China



FAN2508, FAN2509

50 mA CMOS LDO Regulators

Features

- Ultra Low Power Consumption
- 50 mV dropout voltage at 50 mA
- 25 μ A ground current at 50 mA
- Enable/Shutdown Control
- SOT23-5 package
- Thermal limiting
- 300 mA peak current

Applications

- Cellular Phones and accessories
- PDAs
- Portable cameras and video recorders
- Laptop, notebook and palmtop computers

Description

The FAN2508/09 family of micropower low-dropout voltage regulators utilize CMOS technology to offer a new level of cost-effective performance in GSM and TDMA cellular handsets, Laptop and Notebook portable computers, and other portable devices. Features include extremely low power consumption and low shutdown current, low dropout voltage, exceptional loop stability able to accommodate a

wide variety of external capacitors, and the compact SOT23-5 surface-mount package. The FAN2508/09 family of products offer significant improvements over older BiCMOS designs and are pin-compatible with many popular devices. The output is thermally protected against overload.

The FAN2508 and FAN2509 devices are distinguished by the assignment of pin 4:

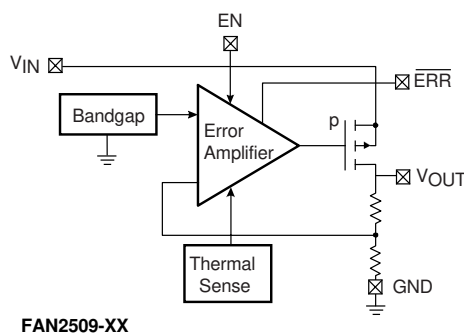
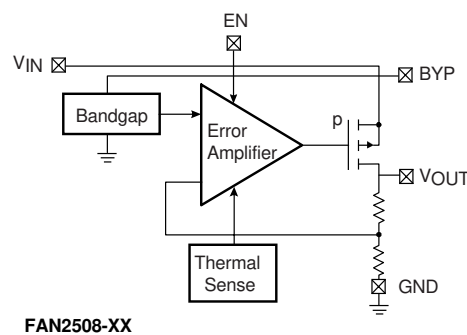
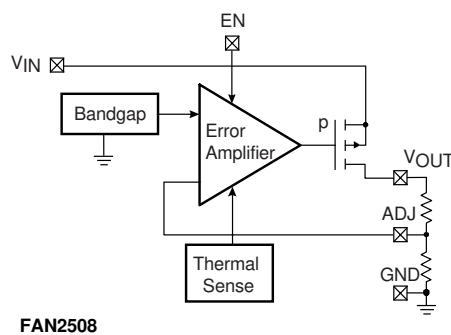
FAN2508: pin 4 – ADJ, allowing the user to adjust the output voltage over a wide range using an external voltage divider.

FAN2508-XX: pin 4 – BYP, to which a bypass capacitor may be connected for optimal noise performance. Output voltage is fixed, indicated by the suffix XX.

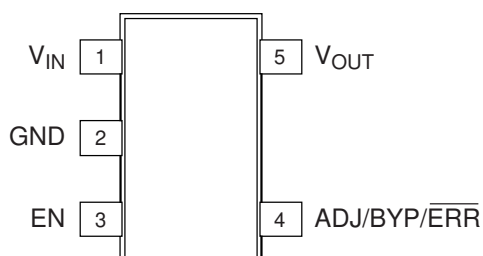
FAN2509-XX: pin 4 – $\overline{\text{ERR}}$, a flag which indicates that the output voltage has dropped below the specified minimum due to a fault condition.

The standard fixed output voltages available are 2.5V, 2.6V, 2.7V, 2.8V, 2.85V, 3.0V, and 3.3V. Custom output voltage are also available: please contact your local Fairchild Sales Office for information.

Block Diagrams



Pin Assignments



| Pin No. | FAN2508 | FAN2508-XX | FAN2509-XX |
|---------|------------------|------------------|-------------------------|
| 1. | V _{IN} | V _{IN} | V _{IN} |
| 2. | GND | GND | GND |
| 3. | EN | EN | EN |
| 4. | ADJ | BYP | $\overline{\text{ERR}}$ |
| 5. | V _{OUT} | V _{OUT} | V _{OUT} |

Pin Descriptions

| Pin Name | Pin No. | Type | Pin Function Description |
|-------------------------|---------|---------------|---|
| ADJ | 4 | Input | FAN2508 Adjust. Ratio of potential divider from V _{OUT} to ADJ determines output voltage. |
| BYP | 4 | Passive | FAN2508-XX Bypass. Connect 470 pF capacitor for noise reduction. |
| $\overline{\text{ERR}}$ | 4 | Open drain | FAN2509-XX Error. Error flag output. 0: Output voltage < 95% of nominal. 1: Output voltage > 95% of nominal. |
| EN | 3 | Digital Input | Enable. 0: Shutdown V _{OUT} . 1: Enable V _{OUT} . |
| V _{IN} | 1 | Power in | Voltage Input. Supply voltage input. |
| V _{OUT} | 5 | Power out | Voltage Output. Regulated output voltage. |
| GND | 2 | Power | Ground. |

Functional Description

Designed utilizing CMOS process technology, the FAN2508/09 family of products are carefully optimized for use in compact battery-powered devices, offering a unique combination of low power consumption, extremely low dropout voltages, high tolerance for a variety of output capacitors, and the ability to disable the output to less than 1µA under user control. In the circuit, a difference amplifier controls the current through a series-pass P-Channel MOSFET, comparing the load voltage at the output with an onboard low-drift bandgap reference. The series resistance of the pass P-Channel MOSFET is approximately 1Ω, resulting in an unusually low dropout voltage under load when compared to older bipolar pass-transistor designs.

Protection circuitry is provided onboard for overload conditions. In conditions where the device reaches temperatures exceeding the specified maximums, an onboard circuit shuts down the output, where it remains suspended until it has cooled before re-enabling. The user is also free to shut down the device using the Enable control pin at any time.

Careful design of the output regulator amplifier assures loop stability over a wide range of ESR values in the external output capacitor. A wide range of values and types can be accommodated, allowing the user to select a capacitor meeting his space, cost, and performance requirements, and enjoy reliable operation over temperature, load, and tolerance variations.

Depending on the model selected, a number of control and status functions are available to enhance the operation of the LDO regulator. An Enable pin, available on all devices, allows the user to shut down the regulator output to conserve power, reducing supply current to less than 1 μ A. The adjustable-voltage versions of the device utilize pin 4 to connect to an external voltage divider which feeds back to the regulator error amplifier, thereby setting the voltage as desired. Two other functions are available at pin 4 in the fixed-voltage versions: in noise-sensitive applications, an external Bypass capacitor connection is provided that allows the user to achieve optimal noise performance at the output, while the Error output functions as a diagnostic flag to indicate that the output voltage has dropped more than 5% below the nominal fixed voltage.

Applications Information

External Capacitors – Selection

The FAN2508/09 allows the user to utilize a wide variety of capacitors compared to other LDO products. An innovative design approach offers significantly reduced sensitivity to ESR (Effective Series Resistance), which degrades regulator loop stability in older designs. While the improvements featured in the FAN2508/09 family greatly simplify the design task, capacitor quality still must be considered if the designer is to achieve optimal circuit performance. In general, ceramic capacitors offer superior ESR performance, at a lower cost and a smaller case size than tantalums. Those with X7R or Y5V dielectric offer the best temperature coefficient characteristics. The combination of tolerance and variation over temperature in some capacitor types can result in significant variations, resulting in unstable performance over rated conditions.

Input Capacitor

An input capacitor of 2.2 μ F (nominal value) or greater, connected between the Input pin and Ground, located in close proximity to the device, will improve transient response and noise rejection. Higher values will offer superior input ripple rejection and transient response. An input capacitor is recommended when the input source, either a battery or a regulated AC voltage, is located far from the device. Any good quality ceramic, tantalum, or metal film capacitor will give acceptable performance, however tantalum capacitors with a surge current rating appropriate to the application must be selected to avoid catastrophic failure.

Output Capacitor

An output capacitor is required to maintain regulator loop stability. Unlike many other LDO regulators, the FAN2508/09 family of products are nearly insensitive to output capacitor ESR. Stable operation will be achieved with a wide variety of capacitors with ESR values ranging from 10m Ω to 10 Ω or more. Tantalum or aluminum electrolytic, or multilayer ceramic types can all be used. A nominal value of at least 1 μ F is recommended.

Bypass Capacitor (FAN2508 Only)

In the fixed-voltage configuration, connecting a capacitor between the bypass pin and ground can significantly reduce noise on the output. Values ranging from 470pF to 10nF can be used, depending on the sensitivity to output noise in the application.

At the high-impedance Bypass pin, care must be taken in the circuit layout to minimize noise pickup, and capacitors must be selected to minimize current loading (leakage). Noise pickup from external sources can be considerable. Leakage currents into the Bypass pin will directly affect regulator accuracy and should be kept as low as possible; thus, high-quality ceramic and film types are recommended for their low leakage characteristics. Cost-sensitive applications not concerned with noise can omit this capacitor.

Control Functions

Enable Pin

Applying a voltage of 0.4V or less at the Enable pin will disable the output, reducing the quiescent output current to less than 1 μ A, while a voltage of 2.0V or greater will enable the device. If this shutdown function is not needed, the pin can simply be connected to the V_{IN} pin. Allowing this pin to float will cause erratic operation.

Error Flag (FAN2509 only)

To indicate conditions such as input voltage dropout (low V_{IN}), overheating, or overloading (excessive output current), the $\overline{\text{ERR}}$ pin indicates a fault condition. It is an open-drain output which is HIGH when the voltage at V_{OUT} is greater than 95% of the nominal rated output voltage and LOW when V_{OUT} is less than 95% or the rated output voltage, as specified in the error trip level characteristics.

A logic pullup resistor of 100K Ω is recommended at this output. The pin can be left disconnected if unused.

Thermal Protection

The FAN2508/09 is designed to supply high peak output currents of up to 1A for brief periods, however this output load will cause the device temperature to increase and exceed maximum ratings due to power dissipation. During output overload conditions, when the die temperature exceeds the shutdown limit temperature of 150 $^{\circ}$ C, onboard thermal protection will disable the output until the temperature drops below this limit, at which point the output is then re-enabled. During a thermal shutdown situation the user may assert the power-down function at the Enable pin, reducing power consumption to the minimum level I_{GND} · V_{IN}.

Thermal Characteristics

The FAN2508/09 is designed to supply 50mA at the specified output voltage with an operating die (junction) temperature of up to 125°C. Once the power dissipation and thermal resistance is known, the maximum junction temperature of the device can be calculated. While the power dissipation is calculated from known electrical parameters, the thermal resistance is a result of the thermal characteristics of the compact SOT23-5 surface-mount package and the surrounding PC Board copper to which it is mounted.

The power dissipation is equal to the product of the input-to-output voltage differential and the output current plus the ground current multiplied by the input voltage, or:

$$P_D = (V_{IN} - V_{OUT})I_{OUT} + V_{IN}I_{GND}$$

The ground pin current I_{GND} can be found in the charts provided in the Electrical Characteristics section.

The relationship describing the thermal behavior of the package is:

$$P_{D(max)} = \left\{ \frac{T_{J(max)} - T_A}{\theta_{JA}} \right\}$$

where $T_{J(max)}$ is the maximum allowable junction temperature of the die, which is 125°C, and T_A is the ambient operating temperature. θ_{JA} is dependent on the surrounding PC board layout and can be empirically obtained. While the θ_{JC} (junction-to-case) of the SOT23-5 package is specified at 130°C/W, the θ_{JA} of the minimum PWB footprint will be at least 235°C/W. This can be improved upon by providing a heat sink of surrounding copper ground on the PWB. Depending on the size of the copper area, the resulting θ_{JA} can range from approximately 180°C/W for one square inch to nearly 130°C/W for 4 square inches. The addition of backside copper with through-holes, stiffeners, and other enhancements can also aid in reducing this value. The heat contributed by the dissipation of other devices located nearby must be included in design considerations.

Once the limiting parameters in these two relationships have been determined, the design can be modified to ensure that the device remains within specified operating conditions. If overload conditions are not considered, it is possible for

the device to enter a thermal cycling loop, in which the circuit enters a shutdown condition, cools, re-enables, and then again overheats and shuts down repeatedly due to an unmanaged fault condition.

Operation of Adjustable Version

The adjustable version of the FAN2508/09 includes an input pin ADJ which allows the user to select an output voltage ranging from 1.8V to near V_{IN} , using an external resistor divider. The voltage V_{ADJ} presented to the ADJ pin is fed to the onboard error amplifier which adjusts the output voltage until V_{ADJ} is equal to the onboard bandgap reference voltage of 1.32V(typ). The equation is:

$$V_{OUT} = 1.32V \times \left[1 + \frac{R_{upper}}{R_{lower}} \right]$$

The total value of the resistor chain should not exceed 250K Ω total to keep the error amplifier biased during no-load conditions. Programming output voltages very near V_{IN} need to allow for the magnitude and variation of the dropout voltage V_{DO} over load, supply, and temperature variations. Note that the low-leakage FET input to the CMOS Error Amplifier induces no bias current error to the calculation.

General PWB Layout Considerations

To achieve the full performance of the device, careful circuit layout and grounding technique must be observed. Establishing a small local ground, to which the GND pin, the output and bypass capacitors are connected, is recommended, while the input capacitor should be grounded to the main ground plane. The quiet local ground is then routed back to the main ground plane using feedthrough vias. In general, the high-frequency compensation components (input, bypass, and output capacitors) should be located as close to the device as possible. The proximity of the output capacitor is especially important to achieve optimal noise compensation from the onboard error amplifier, especially during high load conditions. A large copper area in the local ground will provide the heat sinking discussed above when high power dissipation significantly increases the temperature of the device. Component-side copper provides significantly better thermal performance for this surface-mount device, compared to that obtained when using only copper planes on the underside.

Absolute Maximum Ratings (beyond which the device may be damaged)¹

| Parameter | Min | Typ | Max | Unit |
|--|--------------------|-----|-----|------|
| Power Supply Voltages | | | | |
| V _{IN} (Measured to GND) | 0 | | 7 | V |
| Enable Input (EN) | | | | |
| Applied voltage (Measured to GND) ² | 0 | | 7 | V |
| ERR Output | | | | |
| Applied voltage (Measured to GND) ² | 0 | | 7 | V |
| Power | | | | |
| Dissipation ³ | Internally limited | | | |
| Temperature | | | | |
| Junction | -65 | | 150 | °C |
| Lead Soldering (5 seconds) | | | 260 | °C |
| Storage | -65 | | 150 | °C |
| Electrostatic Discharge ⁴ | 4 | | | kV |

Notes:

- Functional operation under any of these conditions is NOT implied. Performance and reliability are guaranteed only if Operating Conditions are not exceeded.
- Applied voltage must be current limited to specified range.
- Based upon thermally limited junction temperature:

$$P_D = \frac{T_{J(max)} - T_A}{\theta_{JA}}$$

- Human Body Model is 4kV minimum using Mil Std. 883E, method 3015.7. Machine Model is 400V minimum using JEDEC method A115-A.

Recommended Operating Conditions

| Parameter | Min | Nom | Max | Units | |
|------------------|----------------------------------|-----|------------------|----------------------------------|------|
| V _{IN} | Input Voltage Range | | 2.7 | 6.5 | V |
| V _{OUT} | Output Voltage Range, Adjustable | | V _{REF} | V _{IN} -V _{DO} | V |
| V _{EN} | Enable Input Voltage | | 0 | V _{IN} | V |
| V _{ERR} | ERR Flag Voltage | | | V _{IN} | V |
| T _J | Junction Temperature | | -40 | +125 | °C |
| θ _{JA} | Thermal resistance | | | 220 | °C/W |
| θ _{JC} | Thermal resistance | | | 130 | °C/W |

Electrical Characteristics (Notes 1, 2)

| Symbol | Parameter | Conditions | Min. | Typ. | Max. | Units |
|------------------------------|---|---------------------------|------------|------|------------|-------|
| Regulator | | | | | | |
| V _{DO} | Drop Out Voltage | I _{OUT} = 100 μA | | 2.5 | 4 | mV |
| | | I _{OUT} = 50 mA | | 50 | 75 | mV |
| ΔV _O | Output Voltage Accuracy | | -2 | | 2 | % |
| V _{DO} | Reference Voltage Accuracy, Adjustable Mode | | 1.24 | 1.32 | 1.40 | V |
| ΔV _O ³ | Output Voltage Accuracy, Adjustable Mode | | -6 | | 6 | % |
| I _{GND} | Ground Pin Current | I _{OUT} = 50 mA | | | 50 | μA |
| Protection | | | | | | |
| | Current Limit | Thermally Protected | | | | |
| I _{GSD} | Shut-Down Current | EN = 0V | | | 1 | μA |
| T _{SH} | Thermal Protection Shutdown Temperature | | 150 | | | °C |
| E _{TL} | ERR Trip Level | FAN2509 only | 90 | 95 | 99 | % |
| Enable Input | | | | | | |
| V _{IL} | Logic Low Voltage | | | 1.2 | 0.4 | V |
| V _{IH} | Logic High Voltage | | 2.0 | 1.4 | | V |
| I _{IH} | Input Current High | | | | 1 | μA |
| I _I | Input Current Low | | | | 1 | μA |

Switching Characteristics (Notes 1, 2)

| Parameter | Conditions | Min. | Typ. | Max. | Unit |
|--------------------------------|------------|------|------|------|------|
| Enable Input | | | | | |
| Response time | | | | 500 | μsec |
| Error Flag (FAN2509-XX) | | | | | |
| Response time | | | | 3 | msec |

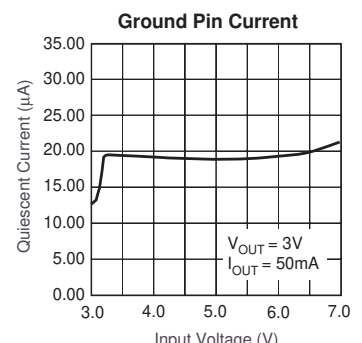
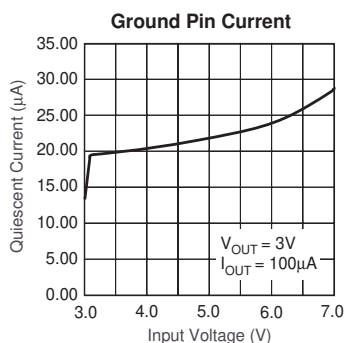
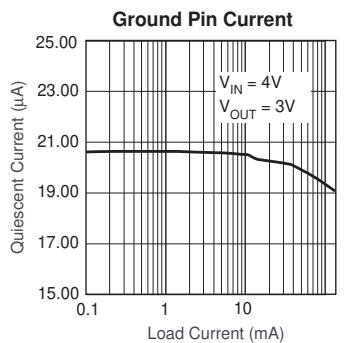
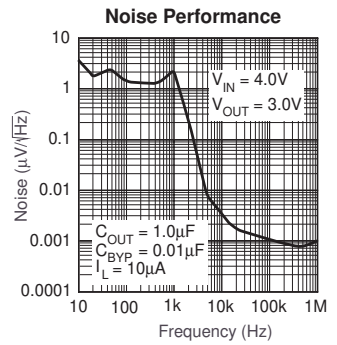
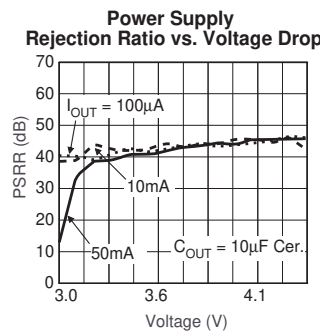
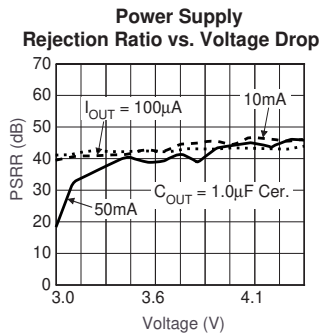
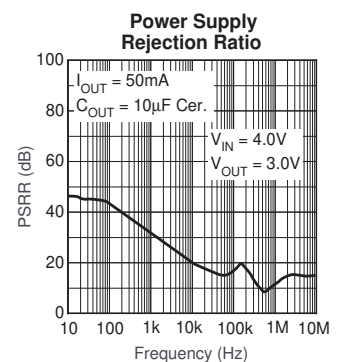
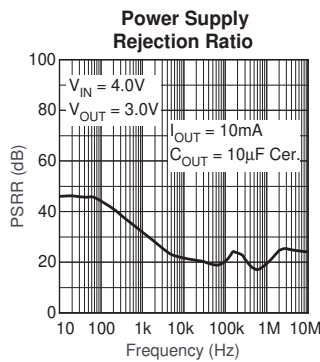
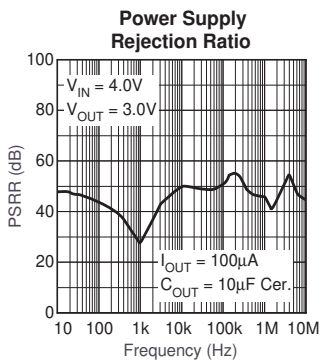
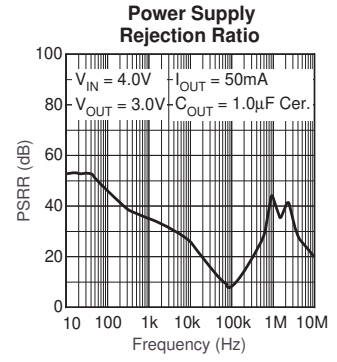
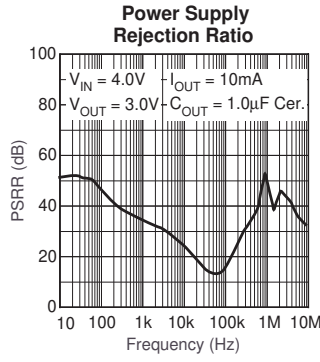
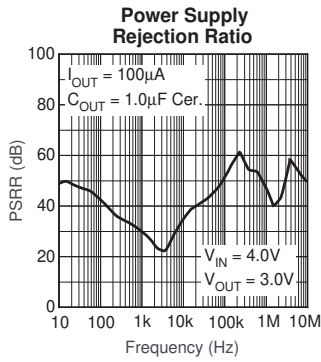
Performance Characteristics (Notes 1, 2)

| Symbol | Parameter | Conditions | Min. | Typ. | Max. | Units |
|-------------------------------------|------------------------|--|------|-------|------|--------|
| ΔV _{OUT} /ΔV _{IN} | Line regulation | V _{IN} = (V _{OUT} + 1) to 6.5V | | 0.3 | | %/V |
| ΔV _{OUT} /V _{OUT} | Load regulation | I _{OUT} = 0.1 to 50mA | | 1.0 | 2.0 | % |
| e _N | Output noise | 10Hz–1KHz C _{OUT} = 10μF, C _{BYP} = 0.01μF | | <7 | | μV/√Hz |
| | | >10KHz, C _{OUT} = 10μF, C _{BYP} = 0.01μF | | <0.01 | | |
| PSRR | Power Supply Rejection | 120 Hz, C _{OUT} = 10μF, C _{BYP} = 0.01μF | | 43 | | dB |

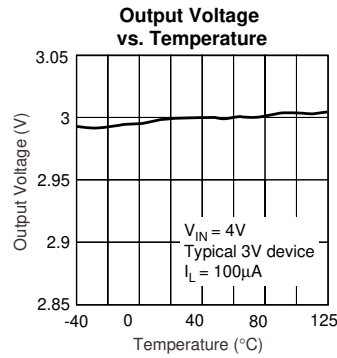
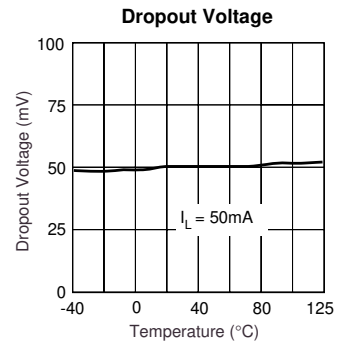
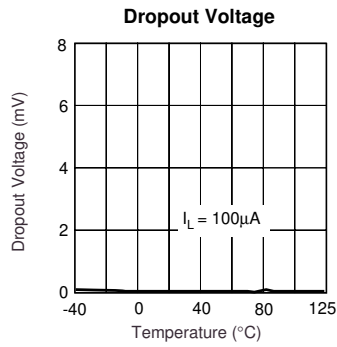
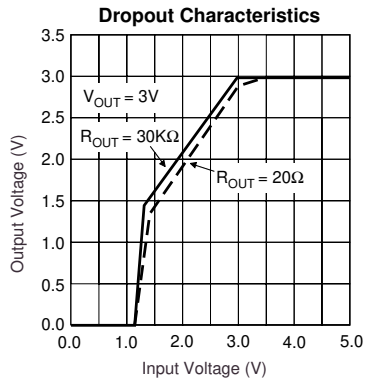
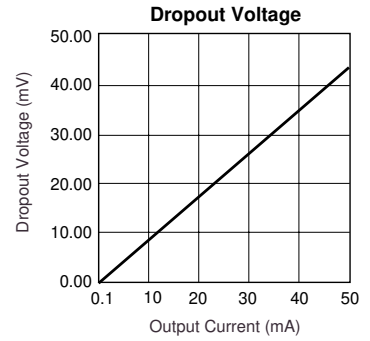
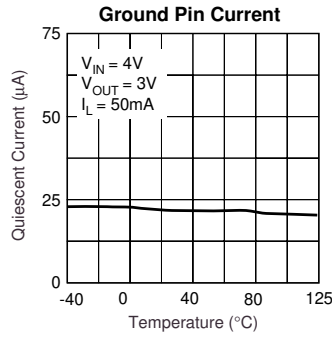
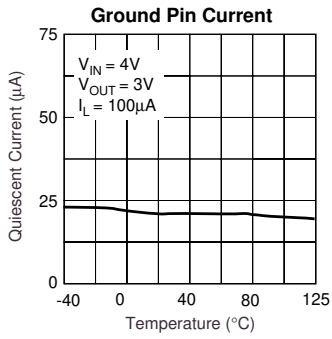
Notes:

1. Unless otherwise stated, T_A = 25°C, V_{IN} = V_{OUT} + 1V, I_{OUT} = 100μA, V_{IH} > 2.0 V.
2. Bold values indicate -40 ≤ T_J ≤ 125°C.
3. The adjustable version, has a bandgap voltage range of 1.24V to 1.40V with a nominal value of 1.32V.
4. When using repeated cycling.

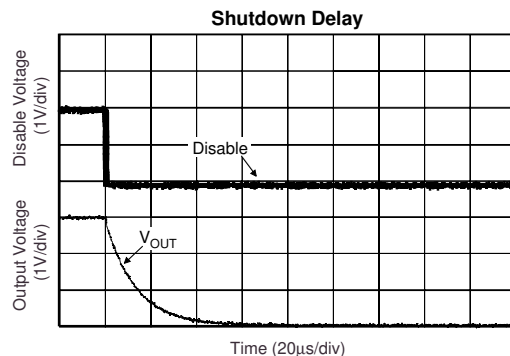
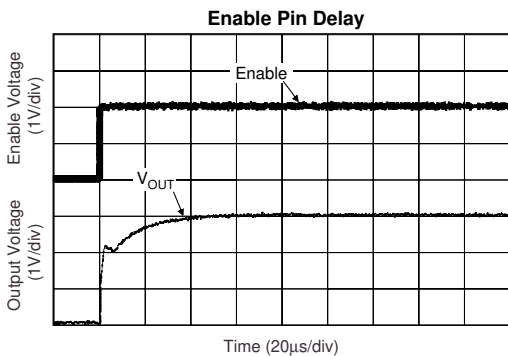
Typical Performance Characteristics



Typical Performance Characteristics (continued)



Functional Characteristics



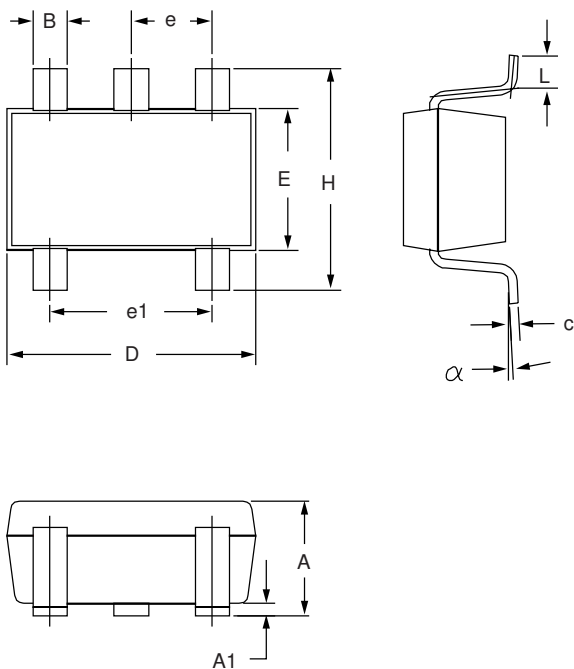
Mechanical Dimensions

5-Lead SOT-23-5 (S) Package

| Symbol | Inches | | Millimeters | | Notes |
|----------|----------|------|-------------|------|-------|
| | Min. | Max. | Min. | Max. | |
| A | .035 | .057 | .90 | 1.45 | |
| A1 | .000 | .006 | .00 | .15 | |
| B | .008 | .020 | .20 | .50 | |
| c | .003 | .010 | .08 | .25 | |
| D | .106 | .122 | 2.70 | 3.10 | |
| E | .059 | .071 | 1.50 | 1.80 | |
| e | .037 BSC | | .95 BSC | | |
| e1 | .075 BSC | | 1.90 BSC | | |
| H | .087 | .126 | 2.20 | 3.20 | |
| L | .004 | .024 | .10 | .60 | |
| α | 0° | 10° | 0° | 10° | |

Notes:

1. Package outline exclusive of mold flash & metal burr.
2. Package outline exclusive of solder plating.
3. EIAJ Ref Number SC-74A.



Ordering Information

| Product Number | V _{OUT} | Pin 4 Function | Package Marking |
|----------------|------------------|----------------|-----------------|
| FAN2508SX | Adj. | Adjust | AAA |
| FAN2508S25X | 2.5 | Bypass | AAE |
| FAN2508S26X | 2.6 | Bypass | AAG |
| FAN2508S27X | 2.7 | Bypass | AAJ |
| FAN2508S28X | 2.8 | Bypass | AAM |
| FAN2508S285X | 2.85 | Bypass | AAN |
| FAN2508S30X | 3.0 | Bypass | AAW |
| FAN2508S33X | 3.3 | Bypass | AA3 |
| FAN2509S25X | 2.5 | Error output | ABE |
| FAN2509S26X | 2.6 | Error output | ABG |
| FAN2509S27X | 2.7 | Error output | ABJ |
| FAN2509S28X | 2.8 | Error output | ABM |
| FAN2509S285X | 2.85 | Error output | ABN |
| FAN2509S30X | 3.0 | Error output | ABW |
| FAN2509S33X | 3.3 | Error output | AB3 |

Tape and Reel Information

| Quantity | Reel Size | Width |
|----------|-----------|-------|
| 3000 | 7" | 8mm |

DISCLAIMER

FAIRCHILD SEMICONDUCTOR RESERVES THE RIGHT TO MAKE CHANGES WITHOUT FURTHER NOTICE TO ANY PRODUCTS HEREIN TO IMPROVE RELIABILITY, FUNCTION OR DESIGN. FAIRCHILD DOES NOT ASSUME ANY LIABILITY ARISING OUT OF THE APPLICATION OR USE OF ANY PRODUCT OR CIRCUIT DESCRIBED HEREIN; NEITHER DOES IT CONVEY ANY LICENSE UNDER ITS PATENT RIGHTS, NOR THE RIGHTS OF OTHERS.

LIFE SUPPORT POLICY

FAIRCHILD'S PRODUCTS ARE NOT AUTHORIZED FOR USE AS CRITICAL COMPONENTS IN LIFE SUPPORT DEVICES OR SYSTEMS WITHOUT THE EXPRESS WRITTEN APPROVAL OF THE PRESIDENT OF FAIRCHILD SEMICONDUCTOR CORPORATION. As used herein:

1. Life support devices or systems are devices or systems which, (a) are intended for surgical implant into the body, or (b) support or sustain life, and (c) whose failure to perform when properly used in accordance with instructions for use provided in the labeling, can be reasonably expected to result in a significant injury of the user.
2. A critical component in any component of a life support device or system whose failure to perform can be reasonably expected to cause the failure of the life support device or system, or to affect its safety or effectiveness.