



Chipsmall Limited consists of a professional team with an average of over 10 year of expertise in the distribution of electronic components. Based in Hongkong, we have already established firm and mutual-benefit business relationships with customers from,Europe,America and south Asia,supplying obsolete and hard-to-find components to meet their specific needs.

With the principle of “Quality Parts,Customers Priority,Honest Operation,and Considerate Service”,our business mainly focus on the distribution of electronic components. Line cards we deal with include Microchip,ALPS,ROHM,Xilinx,Pulse,ON,Everlight and Freescale. Main products comprise IC,Modules,Potentiometer,IC Socket,Relay,Connector.Our parts cover such applications as commercial,industrial, and automotives areas.

We are looking forward to setting up business relationship with you and hope to provide you with the best service and solution. Let us make a better world for our industry!



Contact us

Tel: +86-755-8981 8866 Fax: +86-755-8427 6832

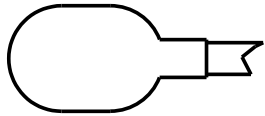
Email & Skype: info@chipsmall.com Web: www.chipsmall.com

Address: A1208, Overseas Decoration Building, #122 Zhenhua RD., Futian, Shenzhen, China

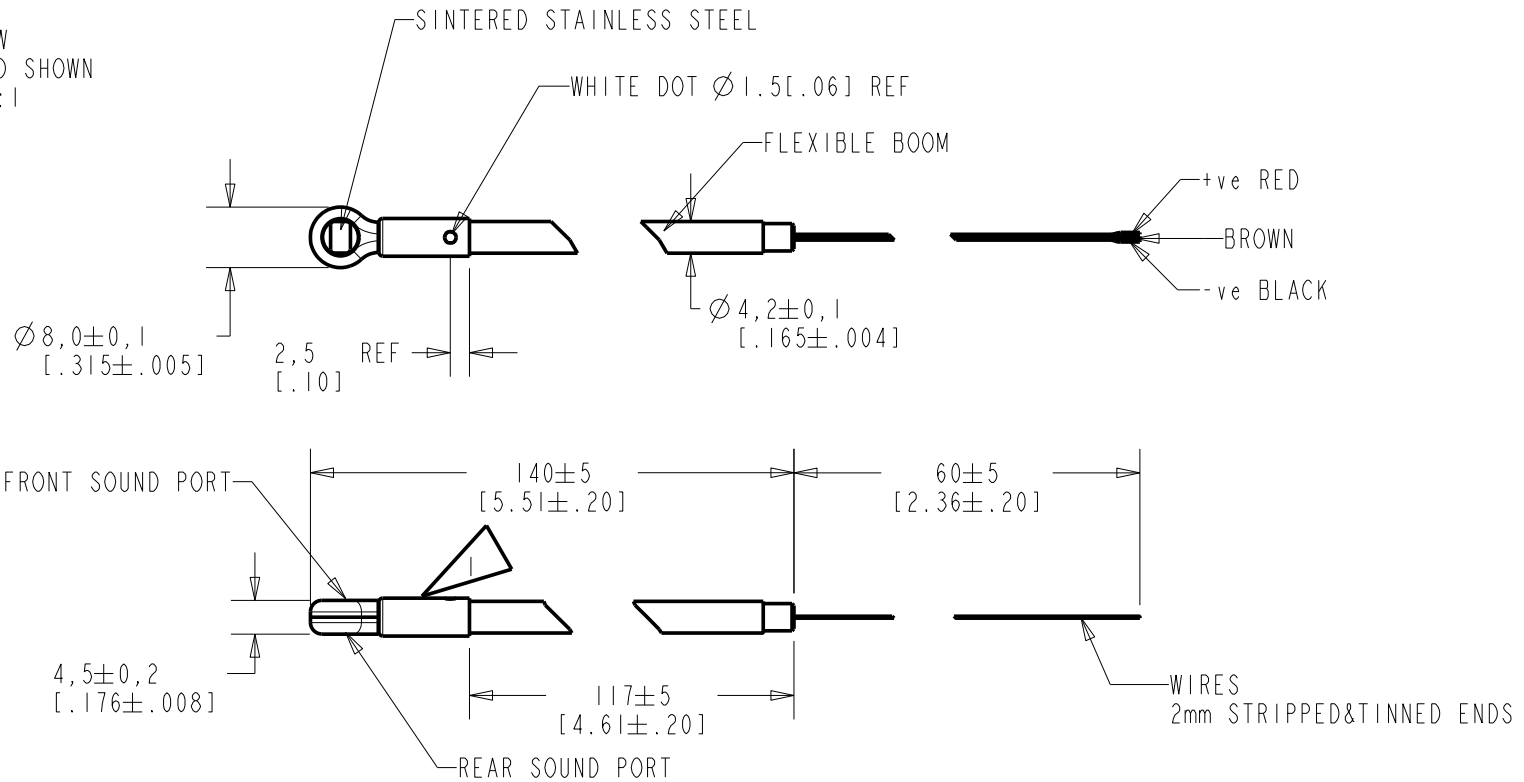


FB-DW-30296-000
SHT 1.1

THE FRONT SOUND PORT IS ADJACENT TO THE MODEL NUMBER IDENTIFICATION.



TOP VIEW
W/WINDSHIELD SHOWN
SCALE 1:1



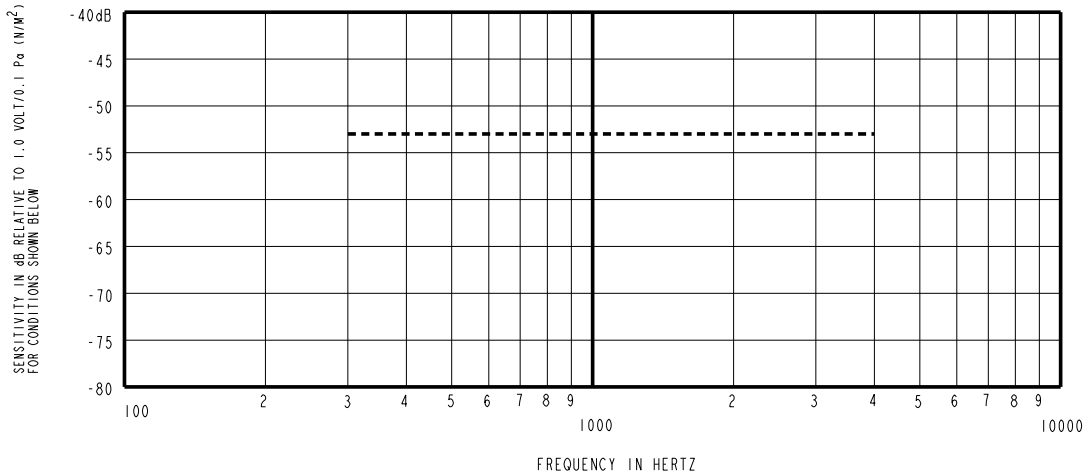
WIRE COLOR			WEIGHT GRAMS
+ve	OUTPUT	-ve	
RED	BROWN	BLACK	13.1

DIMENSIONS IN MILLIMETERS [INCHES]

Revision	C.O. #	Implementation Date	RELEASE LEVEL	REVISION
B	C10107745	8-4-08	Active	B
A	C10107109	3-17-08		

SCALE:	1:1	DR. BY	DATE
DO NOT SCALE DRAWING		TT	3-4-08
TITLE: BOOM MICROPHONE FB-DW-30296-000		GJP	3-27-08
OUTLINE DRAWING		APP. BY	DATE
SHT 1.1		GJP	3-27-08

KNOWLES ELECTRONICS
ITASCA, ILLINOIS U.S.A.



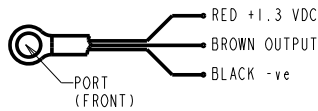
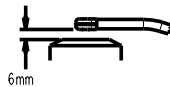
NOTES:

1. MICROPHONE TO BE FUNCTIONAL WITH 10 VDC SUPPLY.
2. SENSITIVITY VALUES INDICATED ON THIS SPECIFICATION ARE VALID AT 50% HUMIDITY.

3. SENSITIVITY				DEVICE CONFORMITY RANGE OF DEVIATION FROM 1KHz	
FREQUENCY	MIN	NOM	MAX		
300	---	-53.0	---	-4.0	+4.0
1000	-56.0	-53.0	-50.0	-0.0	+0.0
4000	---	-53.0	---	-4.0	+4.0

4. TEST CONDITIONS:
HEAD OF BOOM EXPOSED TO 74 dB SPL SWEPT SOUND FIELD AT 6mm FROM VOICE APERTURE.
ARTIFICIAL VOICE: B & K 4227 MOUTH SIMULATOR.

5. FOR MICROPHONE CAPSULE SPEC. SEE WP-25993-000 SHEET 2.1



LEAD IDENTIFICATION

KNOWLES ELECTRONICS
ITASCA, ILLINOIS U.S.A.

Revision	C.O. #	Implementation Date	RELEASE LEVEL	REVISION
B	C10107745	8-4-08	Active	B
A	C10107109	3-17-08		
<small>WHEN TEST LIMITS ARE USED TO ESTABLISH INCOMING INSPECTION ACCEPTANCE/REJECTION CRITERIA, CORRELATION OF TEST EQUIPMENT WITH KNOWLES IS ALSO REQUIRED FOR ELIMINATION OF EQUIPMENT AND TEST METHOD VARIATION</small>				DR. BY: TT DATE: 3-4-08
TITLE: BOOM MICROPHONE PERFORMANCE SPECIFICATION			FB-DW-30296-000 SHT 2.1	CK. BY: GJP DATE: 3-27-08 APP. BY: GJP DATE: 3-27-08