



Chipsmall Limited consists of a professional team with an average of over 10 year of expertise in the distribution of electronic components. Based in Hongkong, we have already established firm and mutual-benefit business relationships with customers from,Europe,America and south Asia,supplying obsolete and hard-to-find components to meet their specific needs.

With the principle of "Quality Parts,Customers Priority,Honest Operation,and Considerate Service",our business mainly focus on the distribution of electronic components. Line cards we deal with include Microchip,ALPS,ROHM,Xilinx,Pulse,ON,Everlight and Freescale. Main products comprise IC,Modules,Potentiometer,IC Socket,Relay,Connector.Our parts cover such applications as commercial,industrial, and automotives areas.

We are looking forward to setting up business relationship with you and hope to provide you with the best service and solution. Let us make a better world for our industry!



## Contact us

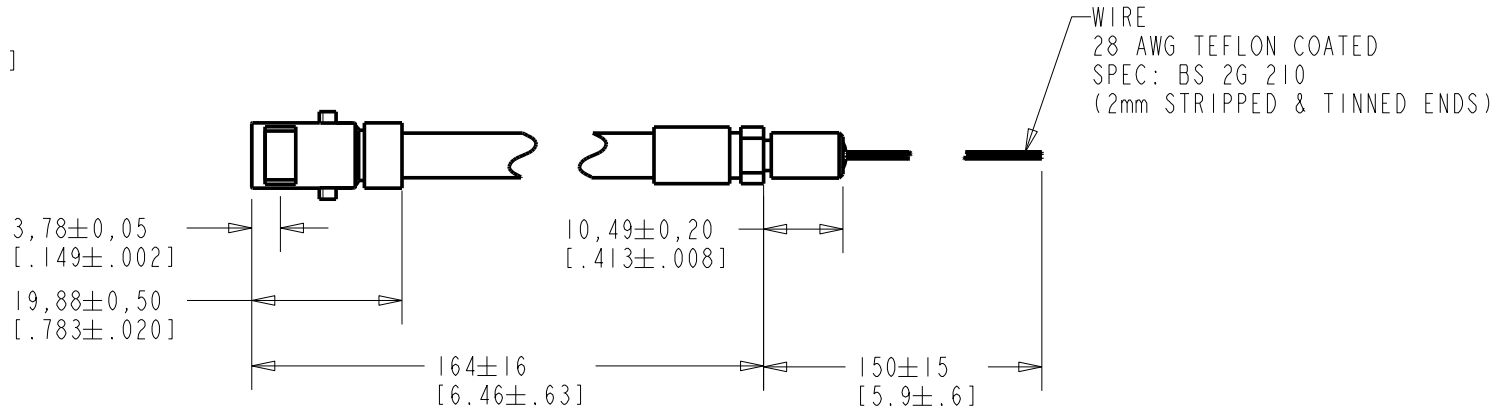
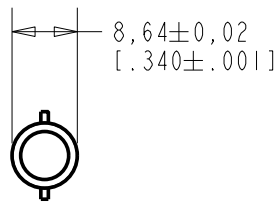
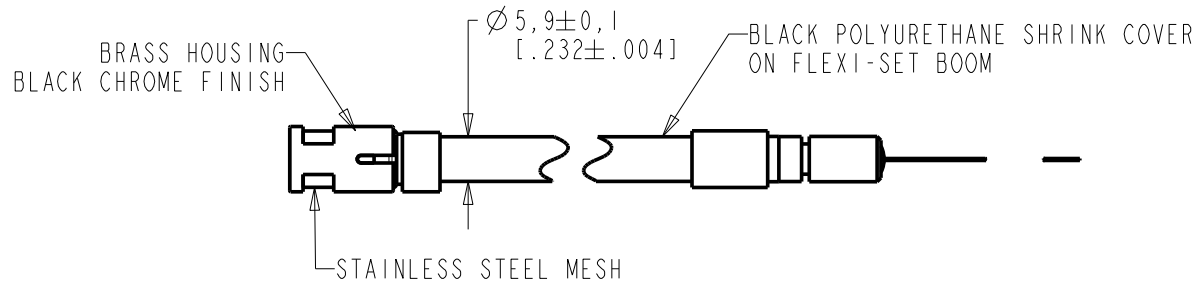
Tel: +86-755-8981 8866 Fax: +86-755-8427 6832

Email & Skype: info@chipsmall.com Web: www.chipsmall.com

Address: A1208, Overseas Decoration Building, #122 Zhenhua RD., Futian, Shenzhen, China



**FB-F0-23225-000**  
SHT 1.1



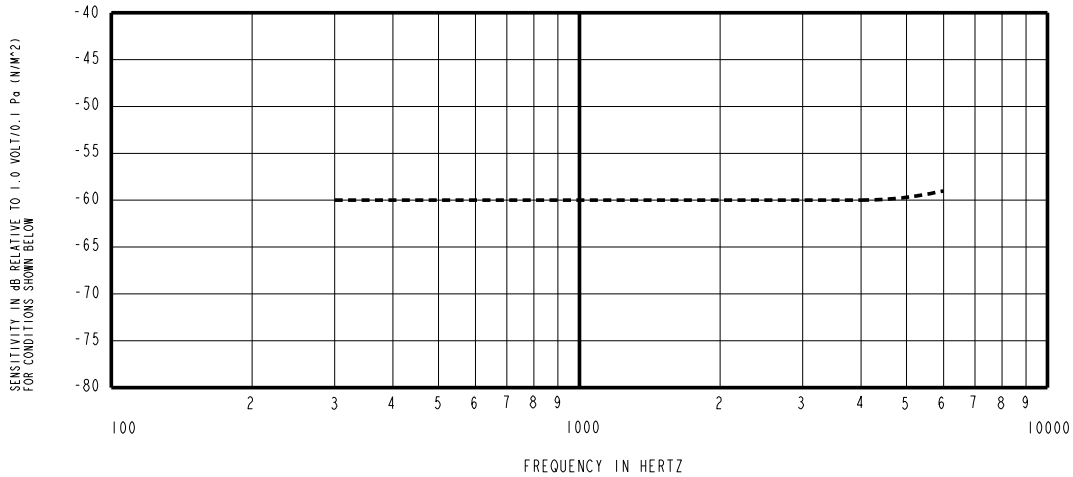
WIRE COLOR			WEIGHT GRAMS
+ve	-ve	SCREEN	
RED	BLACK	GREEN	28.8

DIMENSIONS IN MILLIMETERS [INCHES]

Revision	C.O. #	Implementation Date	RELEASE LEVEL	REVISION
C	C10107748	8-12-08	<b>Active</b>	<b>C</b>
B	C10106597	10-23-07		
A	M10101086	6-4-06		

SCALE: 1:1	DR. BY DATE
DO NOT SCALE DRAWING	MMM 6-1-06
TITLE: <b>BOOM MICROPHONE</b> FB-F0-23225-000	CK. BY DATE
OUTLINE DRAWING	GJP 6-7-06
SHT 1.1	APP. BY DATE
	GJP 6-7-06

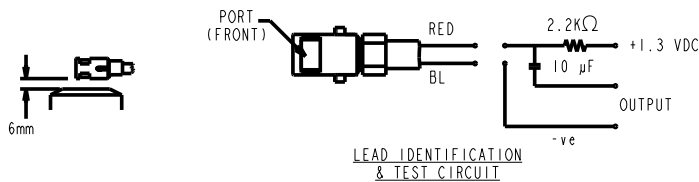
**KNOWLES ELECTRONICS**  
ITASCA, ILLINOIS U.S.A.



NOTES:

- MICROPHONE TO BE FUNCTIONAL WITH 10 VDC SUPPLY.
- SENSITIVITY VALUES INDICATED ON THIS SPECIFICATION ARE VALID AT 50% HUMIDITY.
- SENSITIVITY

FREQUENCY	MIN	NOM	MAX
300	-64.0	-60.0	-56.0
1000	-63.0	-60.0	-57.0
4000	-64.0	-60.0	-56.0
- TEST CONDITIONS:  
HEAD OF BOOM EXPOSED TO 94 dB SPL SWEPT SOUND FIELD AT 6mm FROM VOICE APERTURE.  
ARTIFICIAL VOICE: B & K 4227 MOUTH SIMULATOR.
- FOR MICROPHONE CAPSULE SPEC. SEE NR-23160-000 SHEET 2.1



Revision	C.O. #	Implementation Date	RELEASE LEVEL	REVISION
C	C10107748	8-12-08	Active	C
B	C10106597	10-23-07		
A	M10101086	6-4-06		

**KNOWLES ELECTRONICS**  
ITASCA, ILLINOIS U.S.A.

WHEN TEST LIMITS ARE USED TO ESTABLISH INCOMING INSPECTION ACCEPTANCE/REJECTION CRITERIA, CORRELATION OF TEST EQUIPMENT WITH KNOWLES IS ALSO REQUIRED FOR ELIMINATION OF EQUIPMENT AND TEST METHOD VARIATION

TITLE: **BOOM MICROPHONE** **FB-F0-23225-000**  
PERFORMANCE SPECIFICATION **SHT 2.1**

DR. BY	DATE
MMM	6-1-06
CK. BY	DATE
GJP	6-7-06
APP. BY	DATE
GJP	6-7-06