



Chipsmall Limited consists of a professional team with an average of over 10 year of expertise in the distribution of electronic components. Based in Hongkong, we have already established firm and mutual-benefit business relationships with customers from,Europe,America and south Asia,supplying obsolete and hard-to-find components to meet their specific needs.

With the principle of “Quality Parts,Customers Priority,Honest Operation,and Considerate Service”,our business mainly focus on the distribution of electronic components. Line cards we deal with include Microchip,ALPS,ROHM,Xilinx,Pulse,ON,Everlight and Freescale. Main products comprise IC,Modules,Potentiometer,IC Socket,Relay,Connector.Our parts cover such applications as commercial,industrial, and automotives areas.

We are looking forward to setting up business relationship with you and hope to provide you with the best service and solution. Let us make a better world for our industry!



Contact us

Tel: +86-755-8981 8866 Fax: +86-755-8427 6832

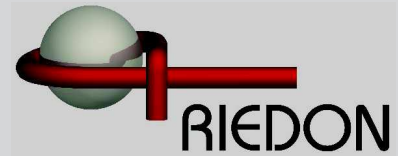
Email & Skype: info@chipsmall.com Web: www.chipsmall.com

Address: A1208, Overseas Decoration Building, #122 Zhenhua RD., Futian, Shenzhen, China



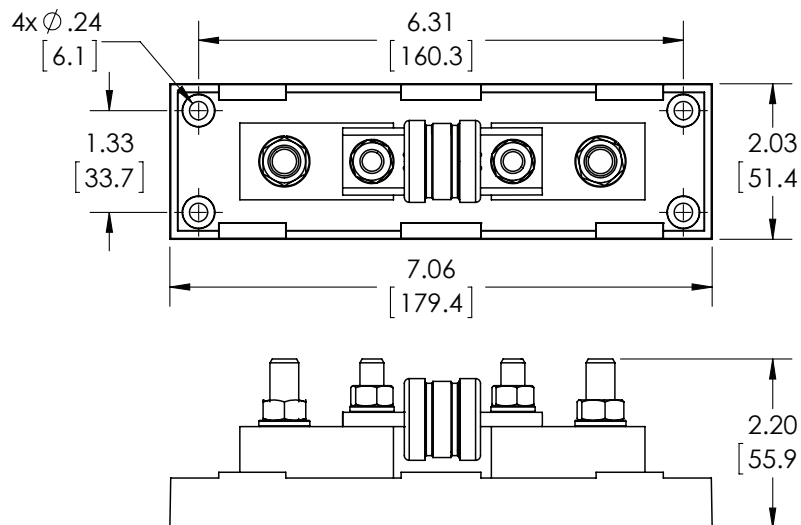
FB Series

Deltec Fuse Block



- **Current Rating 110 to 400 Amps**
- **Includes Class T Fuse as Standard**
- **Ring / Spade Termination**
- **Common Applications:**
Solar Generators, Wind Power, Heavy Industry, Electroplating, Battery Chargers, Mining

SPECIFICATIONS			
Type	Rated Current (A)	Rated Current Range	FB1: 110 to 200 amp FB2: 250 to 400 amp
FB1-110	110	Operating Temp.	-40°C to +60°C
FB1-125	125	Storage Temp.	-55°C to +80°C
FB1-150	150	Dielectric Strength	750VDC (Terminal Block to Base)
FB1-175	175	Materials	Base: Black Fiberglass Reinforced Polycarbonate Cover: Clear Touch Safe Snap-On Polycarbonate Terminal Block: Bright tin plated brass Hardware: Stainless Steel
FB1-200	200		
FB2-250	250		
FB2-300	300		
FB2-350	350		
FB2-400	400		



3D model available
Please contact factory

Dimensions in inches [mm]

Fuse Mounting Hardware: 5/16-18" with split lock washer

Terminal Hardware: 3/8-16" with split lock washer

2.5 [63.5] maximum height with cover installed

Ordering Information

Part Description: Part Type - Rated current (leave blank for no fuse)

Example: **FB2-400**