



Chipsmall Limited consists of a professional team with an average of over 10 year of expertise in the distribution of electronic components. Based in Hongkong, we have already established firm and mutual-benefit business relationships with customers from,Europe,America and south Asia,supplying obsolete and hard-to-find components to meet their specific needs.

With the principle of “Quality Parts,Customers Priority,Honest Operation,and Considerate Service”,our business mainly focus on the distribution of electronic components. Line cards we deal with include Microchip,ALPS,ROHM,Xilinx,Pulse,ON,Everlight and Freescale. Main products comprise IC,Modules,Potentiometer,IC Socket,Relay,Connector.Our parts cover such applications as commercial,industrial, and automotives areas.

We are looking forward to setting up business relationship with you and hope to provide you with the best service and solution. Let us make a better world for our industry!



## Contact us

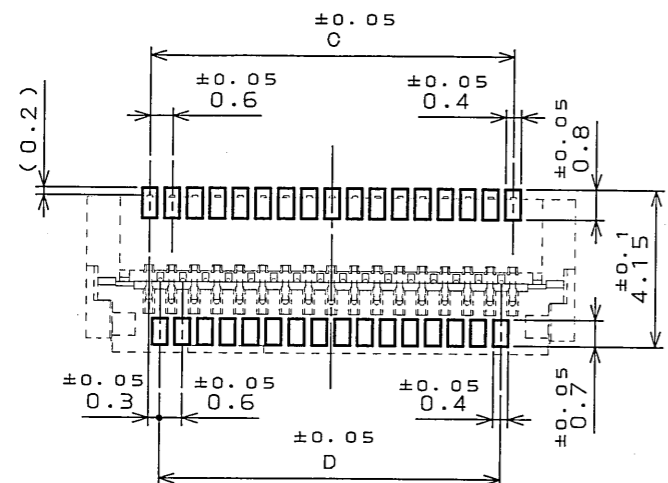
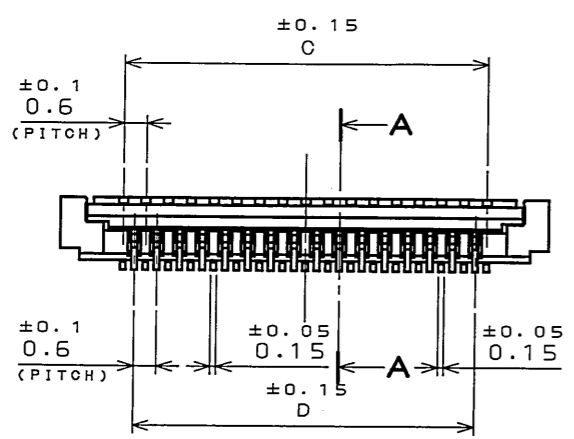
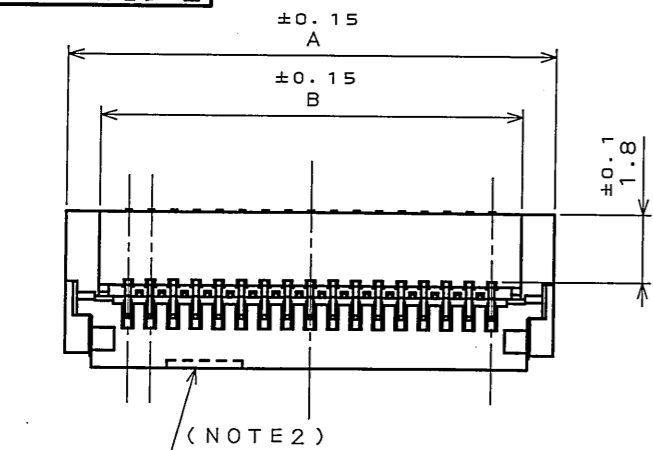
Tel: +86-755-8981 8866 Fax: +86-755-8427 6832

Email & Skype: info@chipsmall.com Web: www.chipsmall.com

Address: A1208, Overseas Decoration Building, #122 Zhenhua RD., Futian, Shenzhen, China



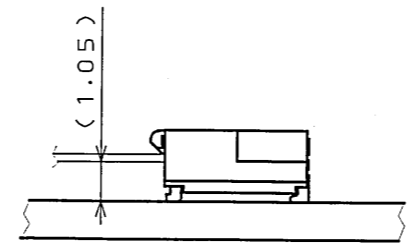
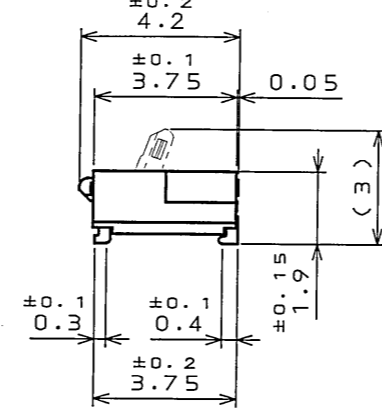
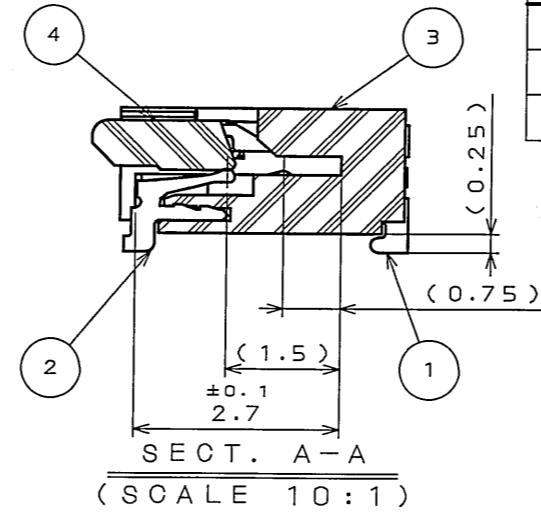
868907S  
(DRAWING NO.) (台番号)



APPLICABLE P.C.B. DIMENSION (REF.)  
適合基板寸法 (参考)

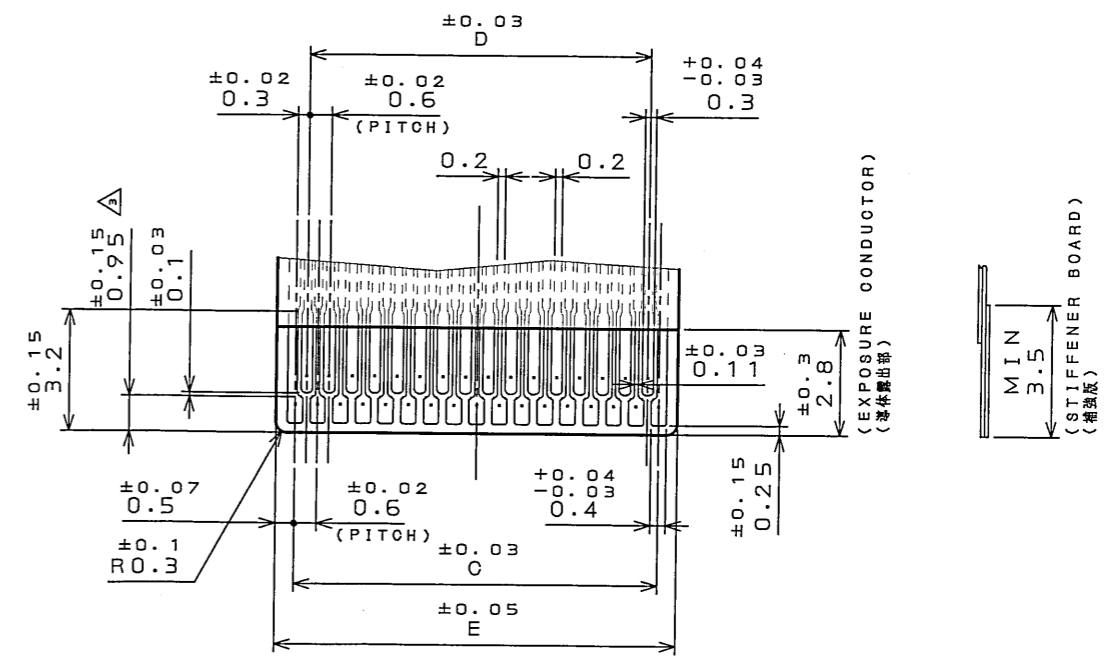
TABLE 1

NO. OF CONTACT	A	B	C	D	E
17	8.1	6.35	4.8	4.2	5.8
21	9.3	7.55	6.0	5.4	7.0
25	10.5	8.75	7.2	6.6	8.2
27	11.1	9.35	7.8	7.2	8.8
33	12.9	11.15	9.6	9.0	10.6



MATED CONDITION (REF.)  
嵌合状態図 (参考)

版数 REV.	年月日 DATE	CON NO.	変更内容 DESCRIPTION	製図 DR.	担当 CHK.	査閲 APPD.	承認 APPD.
2	19.Aug.2003	053020	REVISED NOTE		N.IKENAGA	M.SUZUKI	T.MORINO
3	22.Oct.2003	053428	REVISED DIMENSION		N.IKENAGA		Y.ICHIJAMA
4	14.Jun.2004	055282	ADDED ITEM		N.IKENAGA		



APPLICABLE F.P.C DIMENSION (REF.)  
適合FPC寸法 (参考)  
(THICKNESS: 0.2 ± 0.03)

- NOTE 1. POLYIMIDE SHOULD BE USED AS A STIFFENER BOARD AND THERMOSETTING ADHESIVE SHOULD BE USED. BARE TRACES SHOULD BE GIVEN GOLD PLATING.
- NOTE 2. THE ACTUATOR HAS A HOLLOW SOMEWHERE SUCH AS THE DOTTED LINE.
- NOTE 3. THE CONNECTORS ORDERED INDIVIDUALLY SHALL BE SUPPLIED IN THE CARRIER TAPE.

- 注 1. 適合FPCの補強板は「ポリイミド」を使用し、接着剤は熱硬化性を使用すること。又、仕上げは金メッキのこと。
- 注 2. アクチュエータのどこかに点線で示すような凹形状が付きま。
- 注 3. 本コネクタの単品オーダーの場合は、キャリアテープに梱包されます。

4	ACTUATOR	1	GLASS FILLED NY	COLOR: BLACK UL94V-0
3	BASE INSULATOR	1	GLASS FILLED LCP	COLOR: BEIGE UL94V-0
2	CONTACT 2	$\frac{n-1}{2}$	COPPER ALLOY	SELECTIVE GOLD PLATING
1	CONTACT 1	$\frac{n+1}{2}$	COPPER ALLOY	SELECTIVE GOLD PLATING
符号 NO.	名称 DESCRIPTION	個数 QTY.	材料 MATERIAL	仕上 FINISH
仕様書 (SPECIFICATION) JACS-1695 JAHL-1695		第1版 (ORIGINAL DATE) 21.Aug.2002		尺度 (SCALE) 5:1
公差 (GENERAL TOLERANCE)		製図 DR.		シリーズ (SERIES) FB3
寸法 (DIMENSION)		担当 CHK. N.IKENAGA		名称 (TITLE) FB3S***C11
角度 (ANGLES)		査閲 APPD. M.SUZUKI		
. ±0.8 .X ±0.4 .XX ±0.1 .XXX ±		承認 APPD. T.MORINO		
		重量 (WEIGHT)		日本航空電子工業株式会社 JAPAN AVIATION ELECTRONICS INDUSTRY, LTD.
				図面番号 (DRAWING NO.) SJ036898

DOF-0-212D(98.02)



CDS-02-180-10017  
A3  
SIZE  
版数 (REV.)  
4