



Chipsmall Limited consists of a professional team with an average of over 10 year of expertise in the distribution of electronic components. Based in Hongkong, we have already established firm and mutual-benefit business relationships with customers from,Europe,America and south Asia,supplying obsolete and hard-to-find components to meet their specific needs.

With the principle of "Quality Parts,Customers Priority,Honest Operation,and Considerate Service",our business mainly focus on the distribution of electronic components. Line cards we deal with include Microchip,ALPS,ROHM,Xilinx,Pulse,ON,Everlight and Freescale. Main products comprise IC,Modules,Potentiometer,IC Socket,Relay,Connector.Our parts cover such applications as commercial,industrial, and automotives areas.

We are looking forward to setting up business relationship with you and hope to provide you with the best service and solution. Let us make a better world for our industry!



## Contact us

Tel: +86-755-8981 8866 Fax: +86-755-8427 6832

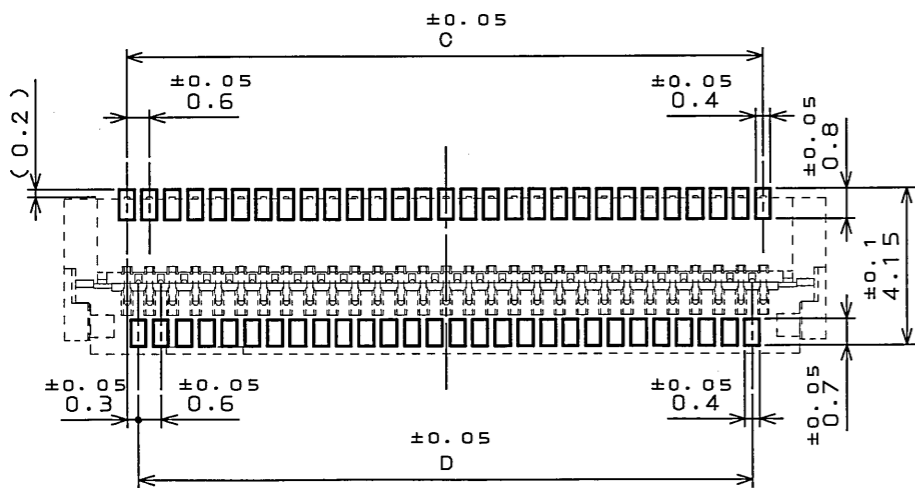
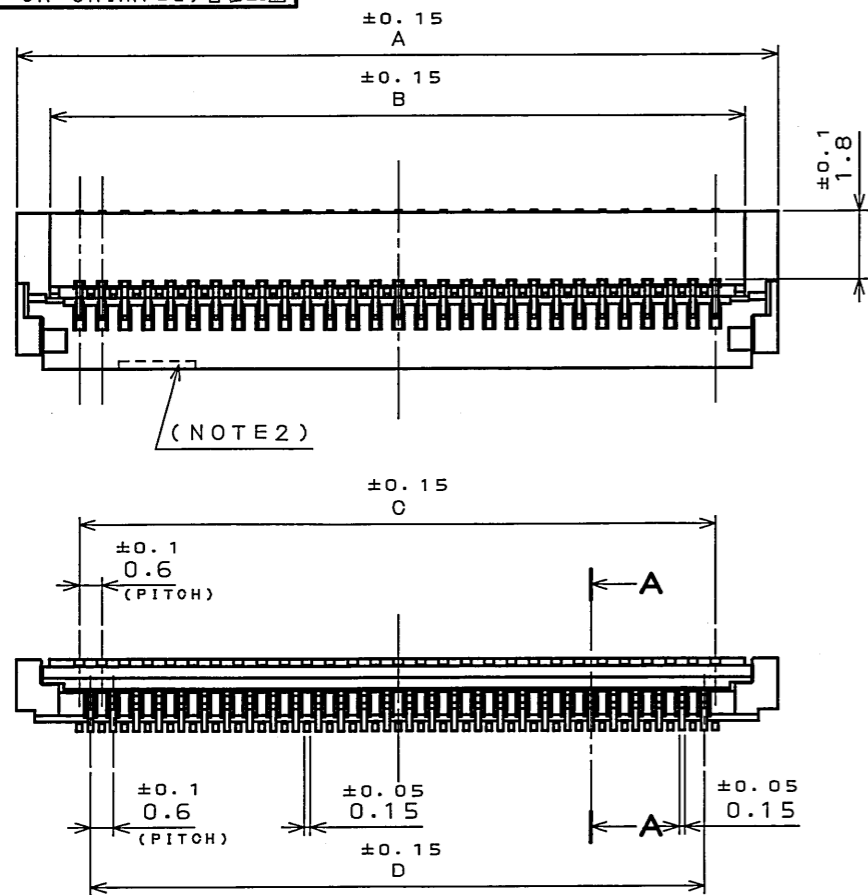
Email & Skype: info@chipsmall.com Web: www.chipsmall.com

Address: A1208, Overseas Decoration Building, #122 Zhenhua RD., Futian, Shenzhen, China



0069E01S

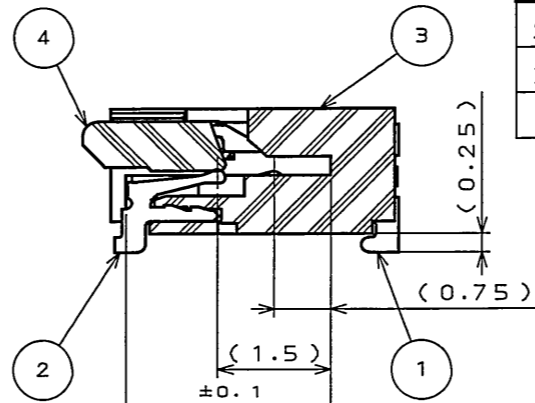
( 'ON 0NIMVHD) 台機理図



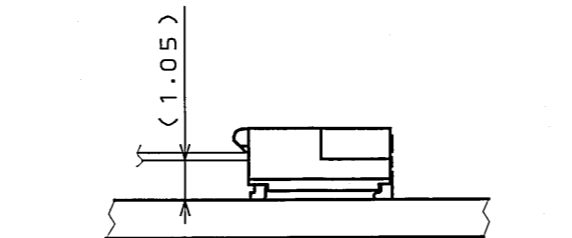
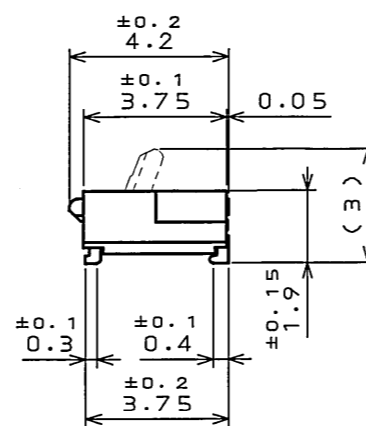
APPLICABLE P.C.B. DIMENSION (REF.)  
適合基板寸法 (参考)

TABLE 1

NO. OF CONTACT	A	B	C	D	E
39	14.7	12.95	11.4	10.8	12.4
45	16.5	14.75	13.2	12.6	14.2
51	18.3	16.55	15.0	14.4	16.0
57	20.1	18.35	16.8	16.2	17.8

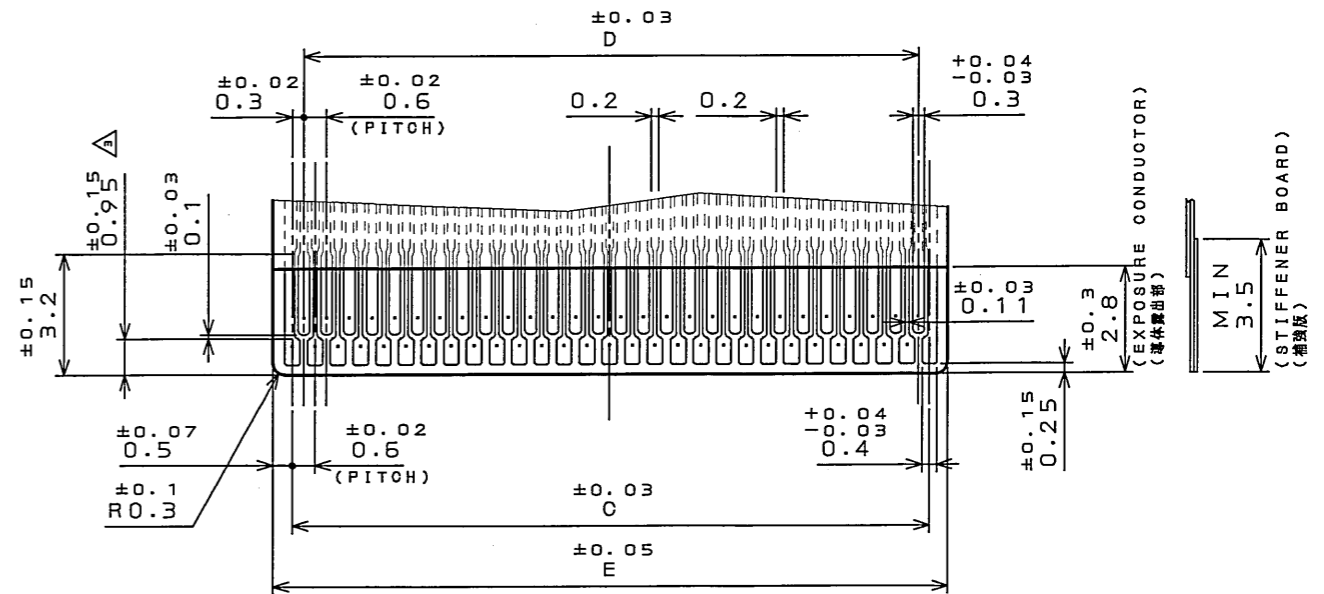


SECT. A-A  
(SCALE 10:1)



MATED CONDITION (REF.)  
嵌合状態図 (参考)

版数 REV.	年月日 DATE	DCN NO.	変更内容 DESCRIPTION	製図 DR.	担当 CHK.	査閲 APPD.	承認 APPD.
2	19.Aug.2003	053020	REVISED NOTE		N.IKENAGA	M.SUZUKI	T.MORINO
3	22.Oct.2003	053428	REVISED DIMENSION		N.IKENAGA		<i>T.Morino</i>



APPLICABLE F.P.C DIMENSION (REF.)  
適合FPC寸法 (参考)

(THICKNESS: 0.2 ± 0.03)

NOTE1. POLYIMIDE SHOULD BE USED AS A STIFFENER BOARD AND THERMOSETTING ADHESIVE SHOULD BE USED.  
BARE TRACES SHOULD BE GIVEN GOLD PLATING.

NOTE2. THE ACTUATOR HAS A HOLLOW SOMEWHERE SUCH AS THE DOTTED LINE.

NOTE3. THE CONNECTORS ORDERED INDIVIDUALLY SHALL BE SUPPLIED IN THE CARRIER TAPE.

注1. 適合FPCの補強板はポリアイミドを使用し、接着剤は熱硬化性を使用すること。又、仕上げは金メッキのこと。

注2. アクチュエータのどこかに点線で示すような凹形状が付きます。

注3. 本コネクタの単品オーダーの場合は、キャリアテープに梱包されます。

4	ACTUATOR	1	GLASS FILLED NY	COLOR: BLACK UL94V-0
3	BASE INSULATOR	1	GLASS FILLED LCP	COLOR: BEIGE UL94V-0
2	CONTACT 2	$\frac{n-1}{2}$	COPPER ALLOY	SELECTIVE GOLD PLATING
1	CONTACT 1	$\frac{n+1}{2}$	COPPER ALLOY	SELECTIVE GOLD PLATING
符号 NO.	名称 DESCRIPTION	個数 QTY.	材料 MATERIAL	仕上 FINISH
仕様書 (SPECIFICATION) JACS-1695 JABL-1695		第1版 (ORIGINAL DATE) 21.Aug.2002		備考 REMARKS
公差 (GENERAL TOLERANCE)		製図 DR.		仕上 FINISH FB3S***C11
寸法 (DIMENSION)		担当 CHK. N.IKENAGA		
角度 (ANGLES)		査閲 APPD. M.SUZUKI		
. ±0.8 .X ±0.4 .XX ±0.1 .XXX ±		承認 APPD. T.MORINO		
		重量 (WEIGHT)		名称 (TITLE) FB3S***C11
				製図 DR.
				承認 APPD.
				承認 APPD.
				重量 (WEIGHT)
				図面番号 (DRAWING NO.) SJ036900
				版数 (REV.) 3