



Chipsmall Limited consists of a professional team with an average of over 10 year of expertise in the distribution of electronic components. Based in Hongkong, we have already established firm and mutual-benefit business relationships with customers from,Europe,America and south Asia,supplying obsolete and hard-to-find components to meet their specific needs.

With the principle of "Quality Parts,Customers Priority,Honest Operation,and Considerate Service",our business mainly focus on the distribution of electronic components. Line cards we deal with include Microchip,ALPS,ROHM,Xilinx,Pulse,ON,Everlight and Freescale. Main products comprise IC,Modules,Potentiometer,IC Socket,Relay,Connector.Our parts cover such applications as commercial,industrial, and automotives areas.

We are looking forward to setting up business relationship with you and hope to provide you with the best service and solution. Let us make a better world for our industry!



## Contact us

Tel: +86-755-8981 8866 Fax: +86-755-8427 6832

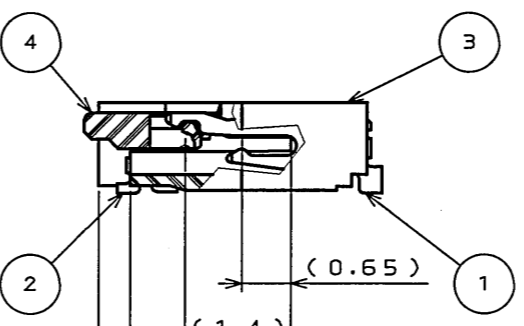
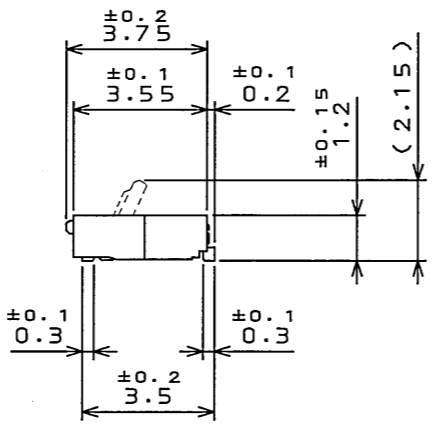
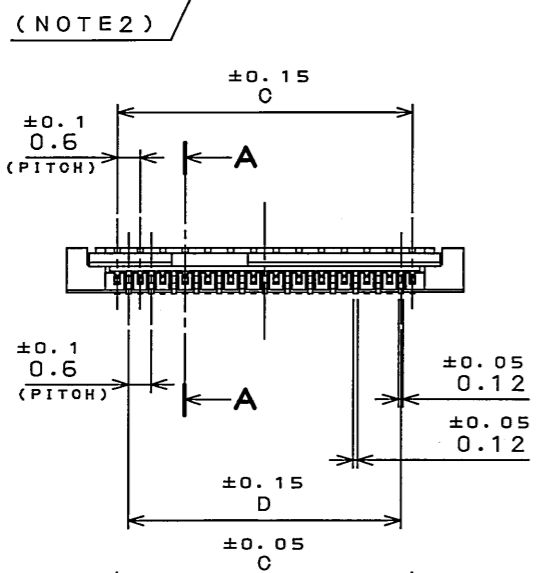
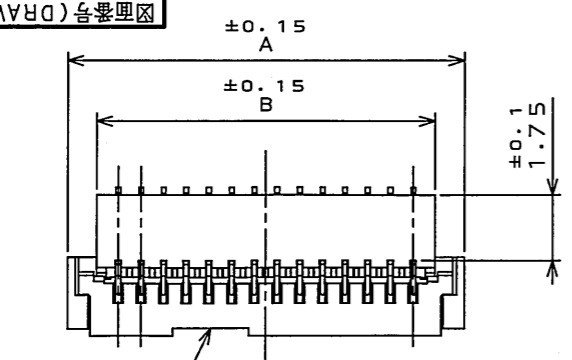
Email & Skype: info@chipsmall.com Web: www.chipsmall.com

Address: A1208, Overseas Decoration Building, #122 Zhenhua RD., Futian, Shenzhen, China



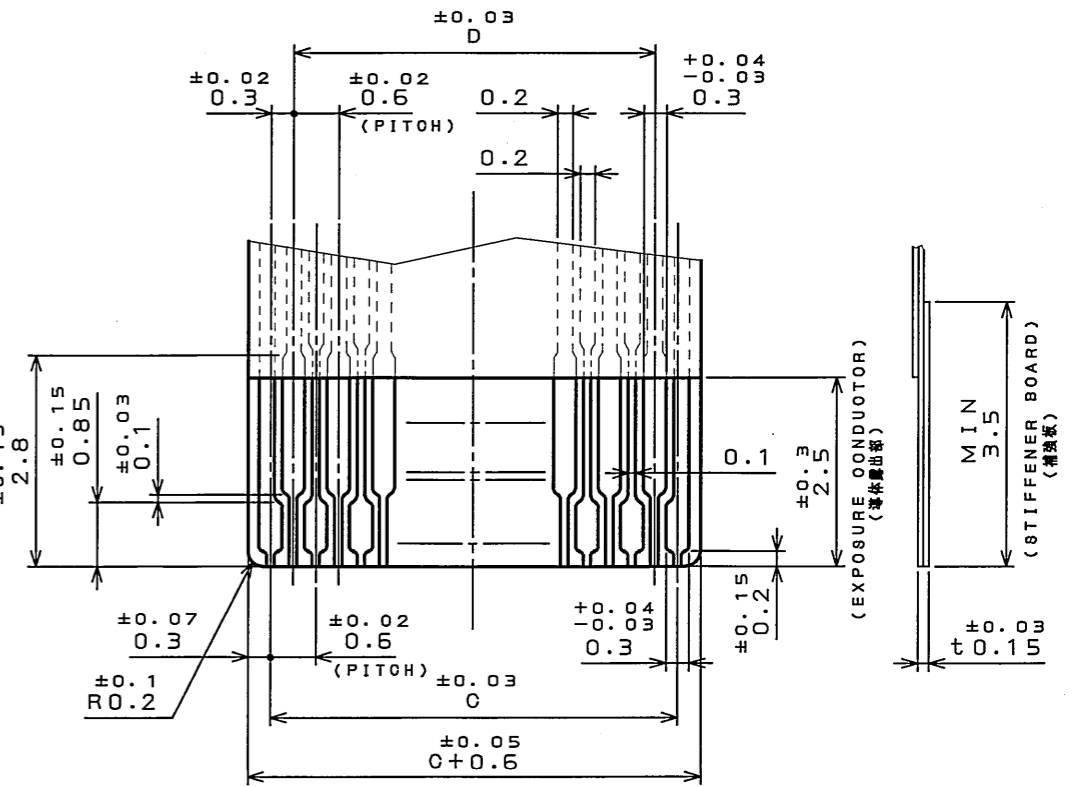
SJ102078  
(DRAWING NO.)

版数 REV.	年月日 DATE	DCN NO.	変更内容 DESCRIPTION	製図 DR.	担当 CHK.	査閲 APPD.	承認 APPD.
5	20.Jan.2006	059075	REDRAWN, ADDED ITEM		N.IKENAGA		K. Haraki



SECT. A-A  
(SCALE 10:1)

MATED CONDITION (REF.)  
嵌合状態図(参考)



APPLICABLE F.P.C DIMENSION (REF.)  
適合FPC寸法(参考)

(THICKNESS: 0.15 ± 0.03)

NOTE1. POLYIMIDE SHOULD BE USED AS A STIFFENER BOARD AND THERMOSETTING ADHESIVE SHOULD BE USED.  
BARE TRACES SHOULD BE GIVEN GOLD PLATING.  
NOTE2. THE ACTUATOR HAS A HOLLOW SOMEWHERE AS SHOWN.

注1. 適合FPCの補強板はホリイミドを使用し、接着剤は熱硬化性を使用すること。又、仕上げは金メッキのこと。  
注2. アクチュエータのどこかに図示のような凹形状が付いています。

APPLICABLE P.C.B. DIMENSION (REF.)  
適合基板寸法(参考)

TABLE 1

NO. OF CONTACT	A	B	C	D
15	6.9	5.35	4.2	3.6
17	7.5	5.95	4.8	4.2
21	8.7	7.15	6.0	5.4
25	9.9	8.35	7.2	6.6
27	10.5	8.95	7.8	7.2
29	11.1	9.55	8.4	7.8
33	12.3	10.75	9.6	9.0
39	14.1	12.55	11.4	10.8
45	15.9	14.35	13.2	12.6
51	17.7	16.15	15.0	14.4
53	18.3	16.75	15.6	15.0
57	19.5	17.95	16.8	16.2
59	20.1	18.55	17.4	16.8

4	ACTUATOR	1	GLASS FILLED NY	COLOR: BLACK UL94V-0	
3	BASE INSULATOR	1	GLASS FILLED LCP	COLOR: BEIGE UL94V-0	
2	CONTACT 2	$\frac{n-1}{2}$	COPPER ALLOY	SELECTIVE GOLD PLATING	
1	CONTACT 1	$\frac{n+1}{2}$	COPPER ALLOY	SELECTIVE GOLD PLATING	
符号 NO.	名称 DESCRIPTION	個数 QTY.	材料 MATERIAL	仕上 FINISH	備考 REMARKS
仕様書(SPECIFICATION) JACS-10226 J AHL-10226		第1版(ORIGINAL DATE) 7.Dec.2004		度(SCALE) 5:1	シリーズ(SERIES) FB6
公差(GENERAL TOLERANCE)		製図 DR.		名称(TITLE) FB6S***JA1	
寸法(DIMENSION)		担当 CHK. N.IKENAGA		製図 DR.	
角度(ANGLES)		査閲 APPD.		承認 APPD.	
. ±0.8		承認 APPD. S.KASHIWAQI		質量(MASS)	
.X ±0.4				図面番号(DRAWING NO.) SJ102078	
.XX ±0.1				版数 (REV.) 5	
.XXX ±					

DOF-0-212F(05.08)

