



Chipsmall Limited consists of a professional team with an average of over 10 year of expertise in the distribution of electronic components. Based in Hongkong, we have already established firm and mutual-benefit business relationships with customers from,Europe,America and south Asia,supplying obsolete and hard-to-find components to meet their specific needs.

With the principle of “Quality Parts,Customers Priority,Honest Operation,and Considerate Service”,our business mainly focus on the distribution of electronic components. Line cards we deal with include Microchip,ALPS,ROHM,Xilinx,Pulse,ON,Everlight and Freescale. Main products comprise IC,Modules,Potentiometer,IC Socket,Relay,Connector.Our parts cover such applications as commercial,industrial, and automotives areas.

We are looking forward to setting up business relationship with you and hope to provide you with the best service and solution. Let us make a better world for our industry!



Contact us

Tel: +86-755-8981 8866 Fax: +86-755-8427 6832

Email & Skype: info@chipsmall.com Web: www.chipsmall.com

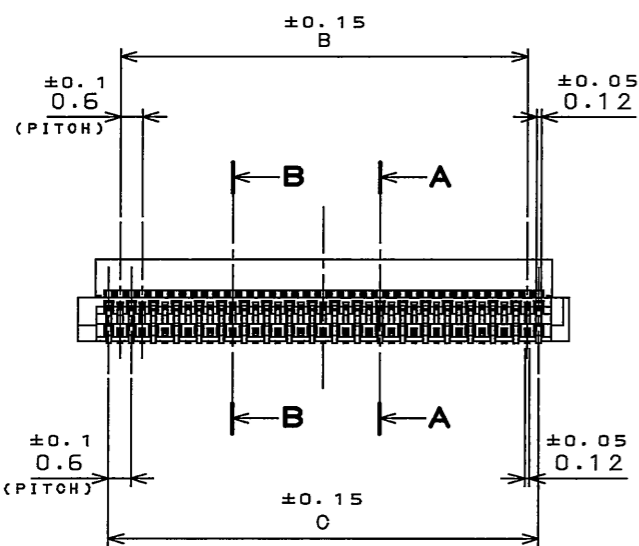
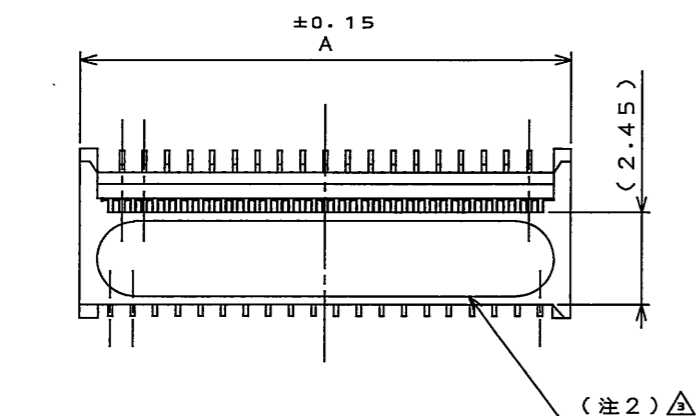
Address: A1208, Overseas Decoration Building, #122 Zhenhua RD., Futian, Shenzhen, China



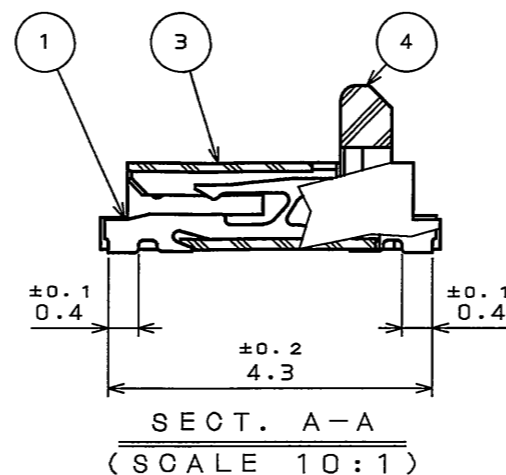
6Z9901PS

(DRAWING NO.) 台架埋込図

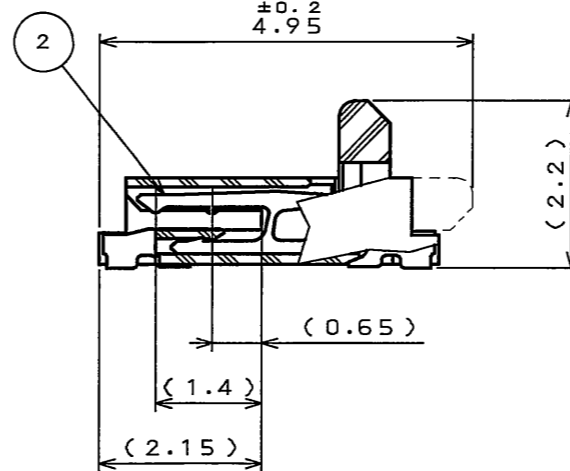
版数 REV.	年月日 DATE	DCN NO.	変更内容 DESCRIPTION	製図 DR.	担当 CHK.	査閲 APPD.	承認 APPD.
2	13.Feb.2007	061615	ADDED AND DELETED ITEMS		N.IKENAGA	T.KUDOU	K.IBARAKI
3	15.May.2007	062773	ADDED LOT NUMBER		N.IKENAGA	T.KUDOU	K.IBARAKI
4	3.Oct.2007	064016	ADDED ITEMS		N.IKENAGA	T.Kudo	K.Ibaraki



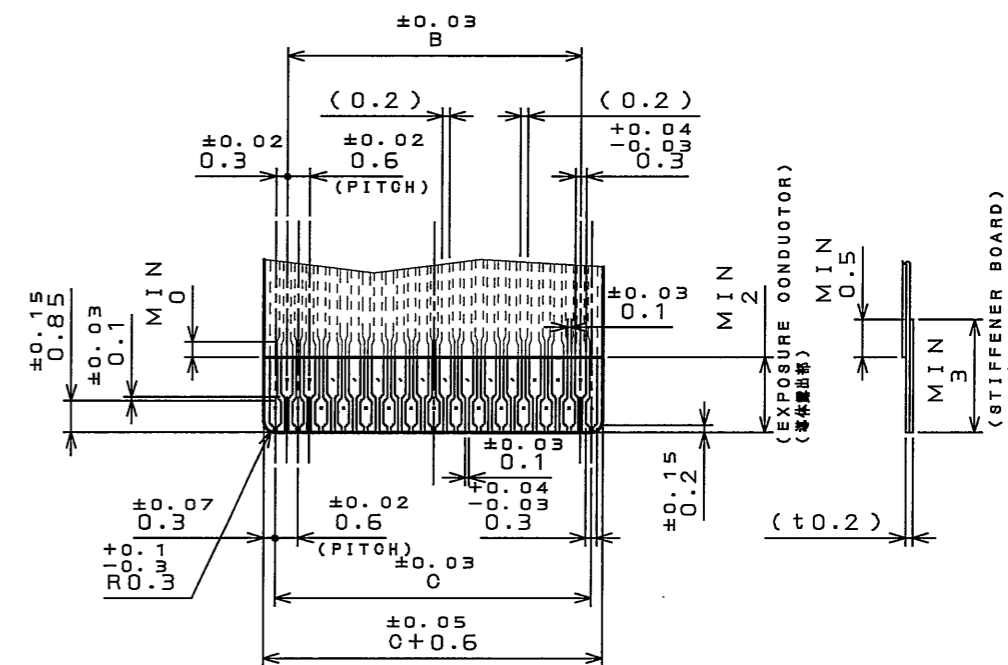
MATED CONDITION (REF.)
嵌合状態図 (参考)



SECT. A-A
(SCALE 10:1)



SECT. B-B
(SCALE 10:1)



APPLICABLE F.P.C DIMENSION (REF.)
適合 FPC 寸法 (参考)

(THICKNESS: 0.2 ± 0.03)

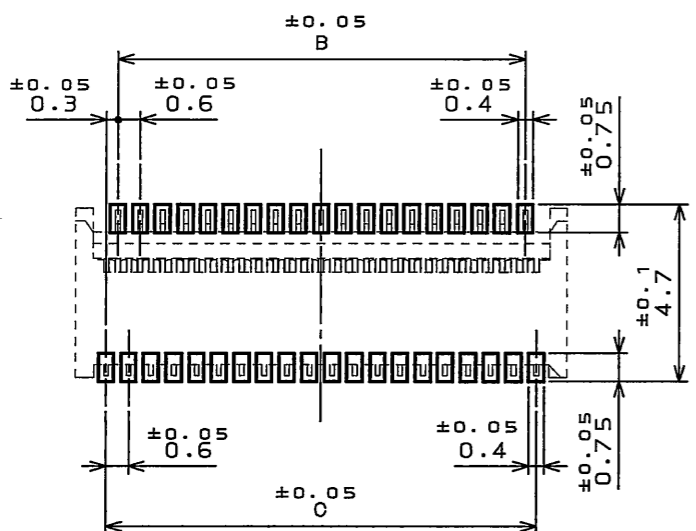
NOTE 1. POLYIMIDE SHOULD BE USED AS A STIFFENER BOARD AND THERMOSETTING ADHESIVE SHOULD BE USED.

BARE TRACES SHOULD BE GIVEN GOLD PLATING.

NOTE 2. LOT NUMBER IS MARKED ON THE TOP OF THE CONNECTOR.

注 1. 適合 FPC の補強板は 'ポリイミド' を使用し、接着剤は熱硬化性を使用すること。
又、仕上げは金メッキのこと。

注 2. ロット番号がコネクタ上面部に表記されます。



APPLICABLE P.C.B. DIMENSION (REF.)
適合基板寸法 (参考)

TABLE 1

NO. OF CONTACT	A	B	C
17	6.4	4.2	4.8
23	8.2	6.0	6.6
25	8.8	6.6	7.2
29	10.0	7.8	8.4
31	10.6	8.4	9.0
33	11.2	9.0	9.6
35	11.8	9.6	10.2
39	13.0	10.8	11.4
41	13.6	11.4	12.0
45	14.8	12.6	13.2
51	16.6	14.4	15.0

符号 NO.	名称 DESCRIPTION	個数 QTY.	材料 MATERIAL	仕上 FINISH	備考 REMARKS
4	ACTUATOR	1	GLASS FILLED NY		COLOR: BLACK UL94V-0
3	BASE INSULATOR	1	GLASS FILLED LCP		COLOR: BEIGE UL94V-0
2	CONTACT 2	$\frac{n-1}{2}$	COPPER ALLOY	SELECTIVE GOLD PLATING	
1	CONTACT 1	$\frac{n+1}{2}$	COPPER ALLOY	SELECTIVE GOLD PLATING	
仕様書 (SPECIFICATION) JAGS-10358 JAHL-10358		第1版 (ORIGINAL DATE) 31.JUL.2006		尺度 (SCALE) 5:1	シリーズ (SERIES) FB8
公差 (GENERAL TOLERANCE)		製図 DR.		名称 (TITLE) FB8S***JA1	
寸法 (DIMENSION)		担当 CHK. N.IKENAGA		製図 DR.	
角度 (ANGLES)		査閲 APPD. T.KUDOU		承認 APPD. K.IBARAKI	
. ±0.8		.X ±0.4		.XX ±0.1	
.XXX ±		質量 (MASS)		図面番号 (DRAWING NO.) SJ106679	

DOF-0-212F(05.08)

