



Chipsmall Limited consists of a professional team with an average of over 10 year of expertise in the distribution of electronic components. Based in Hongkong, we have already established firm and mutual-benefit business relationships with customers from,Europe,America and south Asia,supplying obsolete and hard-to-find components to meet their specific needs.

With the principle of “Quality Parts,Customers Priority,Honest Operation,and Considerate Service”,our business mainly focus on the distribution of electronic components. Line cards we deal with include Microchip,ALPS,ROHM,Xilinx,Pulse,ON,Everlight and Freescale. Main products comprise IC,Modules,Potentiometer,IC Socket,Relay,Connector.Our parts cover such applications as commercial,industrial, and automotives areas.

We are looking forward to setting up business relationship with you and hope to provide you with the best service and solution. Let us make a better world for our industry!



Contact us

Tel: +86-755-8981 8866 Fax: +86-755-8427 6832

Email & Skype: info@chipsmall.com Web: www.chipsmall.com

Address: A1208, Overseas Decoration Building, #122 Zhenhua RD., Futian, Shenzhen, China

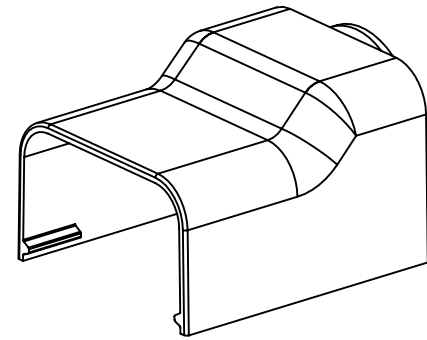
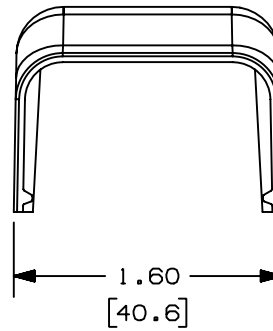
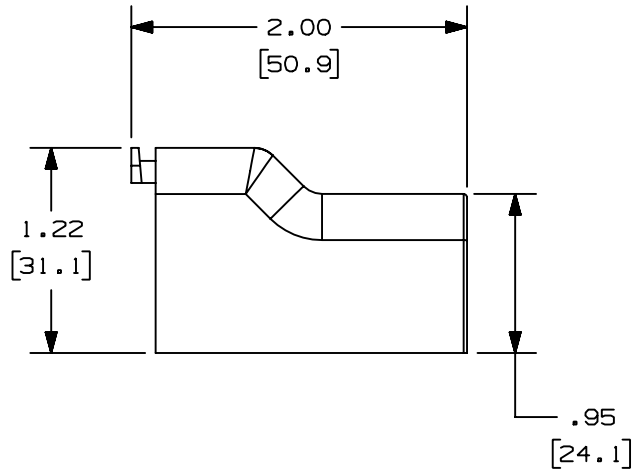


THIS COPY IS PROVIDED ON A RESTRICTED BASIS AND IS NOT TO BE USED IN ANY WAY DETRIMENTAL TO THE INTERESTS OF PANDUIT CORP.

| PANDUIT P/N | WEIGHT |
|-------------|------------------------------------|
| FBA10 | .14 LB/10 PCS [63.7 g/10 PCS] |

NOTES:

- SEE CURRENT CATALOG FOR ADDITIONAL PART SUFFIXES TO INDICATE COLOR AND OR PACKAGE QUANTITY.
- THE FBA10 FITTING IS USED WITH LD10 AND LDPI0 RACEWAYS.
- DIMENSIONS IN PARENTHESES ARE IN METRIC.



CAD FILENAME/LAYERS D38781BB_DC_FBA10_00A.prt

PANDUIT CORP. TINLEY PARK, ILLINOIS
FIRE BOX ADAPTER (FBA10)
CUSTOMER DRAWING

UNLESS OTHERWISE SPECIFIED,
DIMENSIONAL TOLERANCES ARE:
(.X) ± (.XXX) ±
(.XX) ±.03 [.8] ANGLES ±

UNLESS OTHERWISE SPECIFIED,
ALL DIMENSIONS ARE GIVEN
IN INCHES, THIRD ANGLE PROJECTION.

| REV | DATE | BY | CHK | DESCRIPTION | ECN | R | CUST | SUP | DRAWN BY | MAT'L: | SCALE | DRAWING NO. | DWG SIZE |
|-----|----------|------|------|------------------------|----------|------|------|-----|------------------|--------|-------|-------------|----------|
| 1 | 11-21-03 | JHEP | RMHI | A. CORRECTED ERROR | 38781-04 | RGRO | RGRO | | JHEP | | NONE | | |
| R | 11-10-03 | JHEP | RMHI | RELEASED TO PRODUCTION | 38781-04 | RGRO | RGRO | | DATE 11-10-03 | ABS | | 38781-04 | A |
| | | | | | | | | | CHK'D RMHI | | | | |