



Chipsmall Limited consists of a professional team with an average of over 10 year of expertise in the distribution of electronic components. Based in Hongkong, we have already established firm and mutual-benefit business relationships with customers from,Europe,America and south Asia,supplying obsolete and hard-to-find components to meet their specific needs.

With the principle of “Quality Parts,Customers Priority,Honest Operation,and Considerate Service”,our business mainly focus on the distribution of electronic components. Line cards we deal with include Microchip,ALPS,ROHM,Xilinx,Pulse,ON,Everlight and Freescale. Main products comprise IC,Modules,Potentiometer,IC Socket,Relay,Connector.Our parts cover such applications as commercial,industrial, and automotives areas.

We are looking forward to setting up business relationship with you and hope to provide you with the best service and solution. Let us make a better world for our industry!



## Contact us

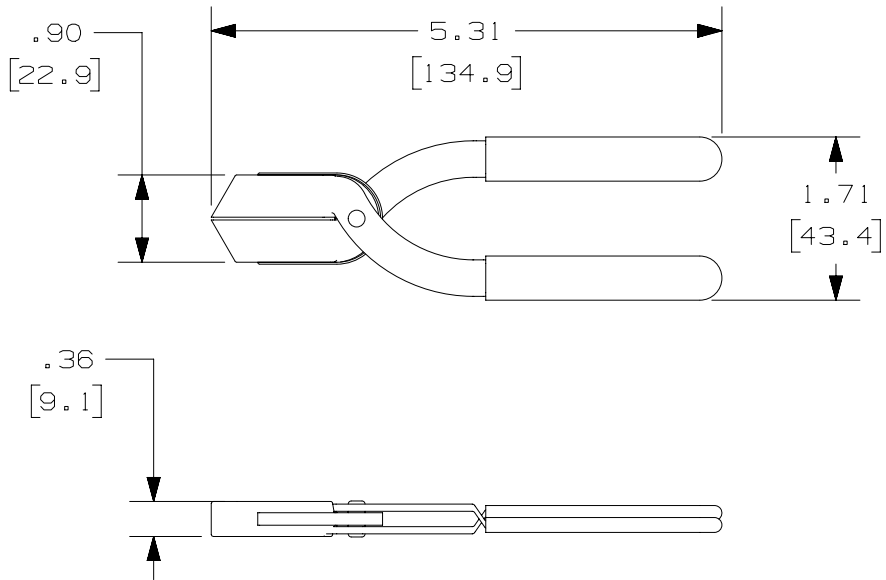
Tel: +86-755-8981 8866 Fax: +86-755-8427 6832

Email & Skype: info@chipsmall.com Web: www.chipsmall.com

Address: A1208, Overseas Decoration Building, #122 Zhenhua RD., Futian, Shenzhen, China



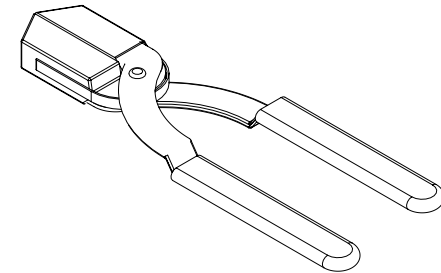
THIS COPY IS PROVIDED ON A RESTRICTED BASIS AND IS NOT TO BE USED IN ANY WAY DETRIMENTAL TO THE INTERESTS OF PANDUIT CORP.



PANDUIT P/N	WEIGHT
FBFSP	.114 LB/EA 51.75 g/EA

NOTES:

- SEE CURRENT CATALOG FOR ADDITIONAL PART SUFFIXES TO INDICATE PACKAGE QUANTITY.
- BUFFER STRIPPERS ARE USED TO STRIP 900um BUFFER OFF OF 125um CLADDING.
- DIMENSIONS IN PARENTHESES ARE IN METRIC.
- MINIMUM CUTTING DIAMETER IS 203 MICRONS (.008").



PART NUMBER		FBFSP	
TITLE			
GLASS OPTICAL FIBER KIT BUFFER STRIPPERS 203 MICRONS			
CUSTOMER DRAWING			
ITEM REVISION NAME		D35560EP/00	
DATASET FILE NAME		D35560EP_DC/00B	
UNLESS OTHERWISE SPECIFIED, DIMENSIONAL TOLERANCES ARE: IN [ mm ]		MATERIAL:	
.x ± .xxx ± .010 [ .3 ]		DRAWING NUMBER:	
.xx ± .03 [ .8 ] ANGLES ±		35560-93	
THIRD ANGLE PROJECTION		SHT 1 OF 1	
DRAWN BY	DATE	CHK	SCALE
JBA	07-07-97	CEF	NONE
REV	DATE	BY	CHK
2	3/3/15	JSP	WJM
APR	DESCRIPTION		ECN
	A. UPDATED DRAWING TITLE BLOCK.		35560-93



D101000DA/14

2

1

2

1