



Chipsmall Limited consists of a professional team with an average of over 10 year of expertise in the distribution of electronic components. Based in Hongkong, we have already established firm and mutual-benefit business relationships with customers from,Europe,America and south Asia,supplying obsolete and hard-to-find components to meet their specific needs.

With the principle of “Quality Parts,Customers Priority,Honest Operation,and Considerate Service”,our business mainly focus on the distribution of electronic components. Line cards we deal with include Microchip,ALPS,ROHM,Xilinx,Pulse,ON,Everlight and Freescale. Main products comprise IC,Modules,Potentiometer,IC Socket,Relay,Connector.Our parts cover such applications as commercial,industrial, and automotives areas.

We are looking forward to setting up business relationship with you and hope to provide you with the best service and solution. Let us make a better world for our industry!



Contact us

Tel: +86-755-8981 8866 Fax: +86-755-8427 6832

Email & Skype: info@chipsmall.com Web: www.chipsmall.com

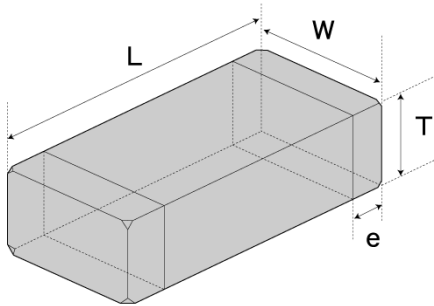
Address: A1208, Overseas Decoration Building, #122 Zhenhua RD., Futian, Shenzhen, China



Spec Sheet

Chip Bead Power Inductors for Automotive / Industrial Applications (FB series M type)[FBMH]

FBMH1608HL601-TV



■ Features

- Item Summary
600 Ω , 0.5 A, 0603/1608 (EIA/JIS)
- Lifecycle Stage
Mass Production
- AEC-Q200 qualified
- Standard packaging quantity (minimum)
Taping paper 4000pcs

■ Products characteristics table

Impedance [100MHz]	600 Ω \pm 25 %
Impedance [1GHz]	1800 Ω \pm 40 %
Case Size (EIA/JIS)	0603/1608
Rated Current (max)	0.5 A
DC Resistance (max)	0.45 Ω
Z Measuring Frequency	100 MHz
Operating Temp. Range	-40 to +125 $^{\circ}$ C (Including-self-generated heat)
RoHS2 Compliance (10 subst.)	Yes
REACH Compliance (173 subst.)	Yes
Halogen Free	Yes
Soldering	Reflow/Wave

■ External Dimensions

Dimension L	1.6 \pm 0.1 mm
Dimension W	0.8 \pm 0.1 mm
Dimension T	0.8 \pm 0.1 mm
Dimension e	0.3 \pm 0.15 mm

2017.04.30

The data is reference only. Electrical characteristics vary depending on environment or measurement condition.
TAIYO YUDEN reserves the right to make change to the Date at any time without notice.
Before making final selection, please check product specification.