



Chipsmall Limited consists of a professional team with an average of over 10 year of expertise in the distribution of electronic components. Based in Hongkong, we have already established firm and mutual-benefit business relationships with customers from,Europe,America and south Asia,supplying obsolete and hard-to-find components to meet their specific needs.

With the principle of "Quality Parts,Customers Priority,Honest Operation,and Considerate Service",our business mainly focus on the distribution of electronic components. Line cards we deal with include Microchip,ALPS,ROHM,Xilinx,Pulse,ON,Everlight and Freescale. Main products comprise IC,Modules,Potentiometer,IC Socket,Relay,Connector.Our parts cover such applications as commercial,industrial, and automotives areas.

We are looking forward to setting up business relationship with you and hope to provide you with the best service and solution. Let us make a better world for our industry!



## Contact us

Tel: +86-755-8981 8866 Fax: +86-755-8427 6832

Email & Skype: info@chipsmall.com Web: www.chipsmall.com

Address: A1208, Overseas Decoration Building, #122 Zhenhua RD., Futian, Shenzhen, China





## General Description FBR-11604

This box is used as a termination point for the feeder cable to connect with drop cable in FTTx communication network system.

It integrates fiber splicing, splitting, distribution, storage and cable connection in one unit. Meanwhile, it provides solid protection and

Management for the FTTx network building.

### Features

- ◆ clamping for feeder cable and drop cable, fiber splicing, fixation, storage, distribution...etc. all in one
- ◆ Suitable for SC and LC duplex adaptor and pigtail
- ◆ Easy to operate
- ◆ Total enclosed structure
- ◆ Protects and manages cable effectively
- ◆ Secured with anti-theft locking mechanism
- ◆ Standard size, light weight
- ◆ High quality PC +ABS material
- ◆ Suitable for indoor use
- ◆ Good properties of dust, and moisture proofing
- ◆ IP65 Application
- Telecommunication subscriber loop
- Fiber to the home (FTTH)
- LAN/WAN

## Technical Data

Work Temperature  $-40\text{ }^{\circ}\text{C} \sim +85\text{ }^{\circ}\text{C}$

Relative Humidity  $\leq 85\%$  ( $+30\text{ }^{\circ}\text{C}$ )

Atmospheric Pressure  $70\text{Kpa} \sim 106\text{Kpa}$

Insert Loss  $\leq 0.2\text{dB}$

UPC Return Loss  $\geq 50\text{dB}$

APC Return Loss  $\geq 60\text{dB}$

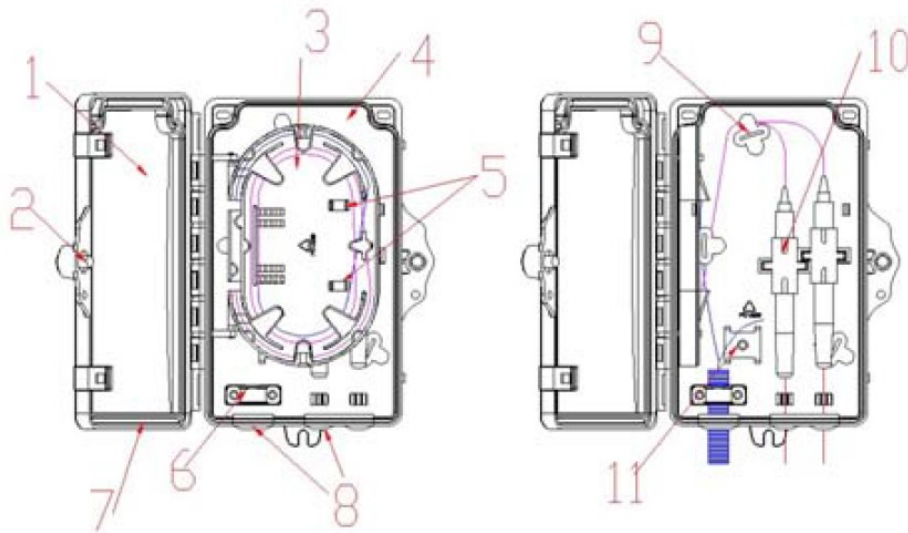
Insert and Pull out Life  $\geq 1000$  times

### Insulation

The grounding device is insulated with the Termination box,  $IR \geq 1000\text{m } \Omega/500\text{V}$  (direct current)

Between the grounding device and the box body, the withstand voltage is over  $3000\text{V}/\text{Min}$ , no

Withstand Voltage breakdown and flashover.  $U \geq 3000\text{V}$  (direct current)

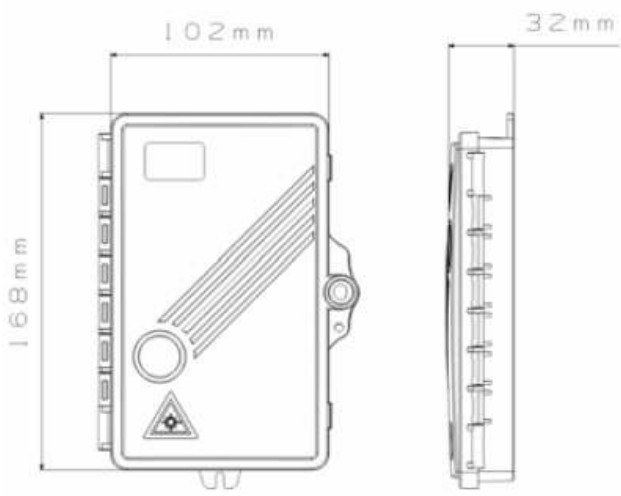


1.Lid; 2.Lock; 3.Splicing flap plate; 4.base; 5.PLC Mounting position; 6. Main cable mound layer; 7.Seal gasket; 8.Water-proof sleeve; 9.Drop cable clip; 10.Adaptor; 11. Main cable strengthen mound layer



## Dimensions

168x102x32mm



## Installation Dimensions

160mmx80mm

