



Chipsmall Limited consists of a professional team with an average of over 10 year of expertise in the distribution of electronic components. Based in Hongkong, we have already established firm and mutual-benefit business relationships with customers from,Europe,America and south Asia,supplying obsolete and hard-to-find components to meet their specific needs.

With the principle of "Quality Parts,Customers Priority,Honest Operation,and Considerate Service",our business mainly focus on the distribution of electronic components. Line cards we deal with include Microchip,ALPS,ROHM,Xilinx,Pulse,ON,Everlight and Freescale. Main products comprise IC,Modules,Potentiometer,IC Socket,Relay,Connector.Our parts cover such applications as commercial,industrial, and automotives areas.

We are looking forward to setting up business relationship with you and hope to provide you with the best service and solution. Let us make a better world for our industry!



## Contact us

Tel: +86-755-8981 8866 Fax: +86-755-8427 6832

Email & Skype: info@chipsmall.com Web: www.chipsmall.com

Address: A1208, Overseas Decoration Building, #122 Zhenhua RD., Futian, Shenzhen, China



## DETAILS

<b>Product Number</b>	FC14973_FLORENTINA-2X2-M
<b>Family</b>	Florentina
<b>Type</b>	Pack
<b>Color</b>	black
<b>Diameter</b>	95,57x95,57 mm
<b>Height</b>	17,72 mm
<b>Style</b>	square
<b>Optic Material</b>	
<b>Holder Material</b>	
<b>Fastening</b>	screw, pin
<b>Status</b>	production ready
<b>ROHS Compliant</b>	Yes
<b>Date Updated</b>	24/08/2016

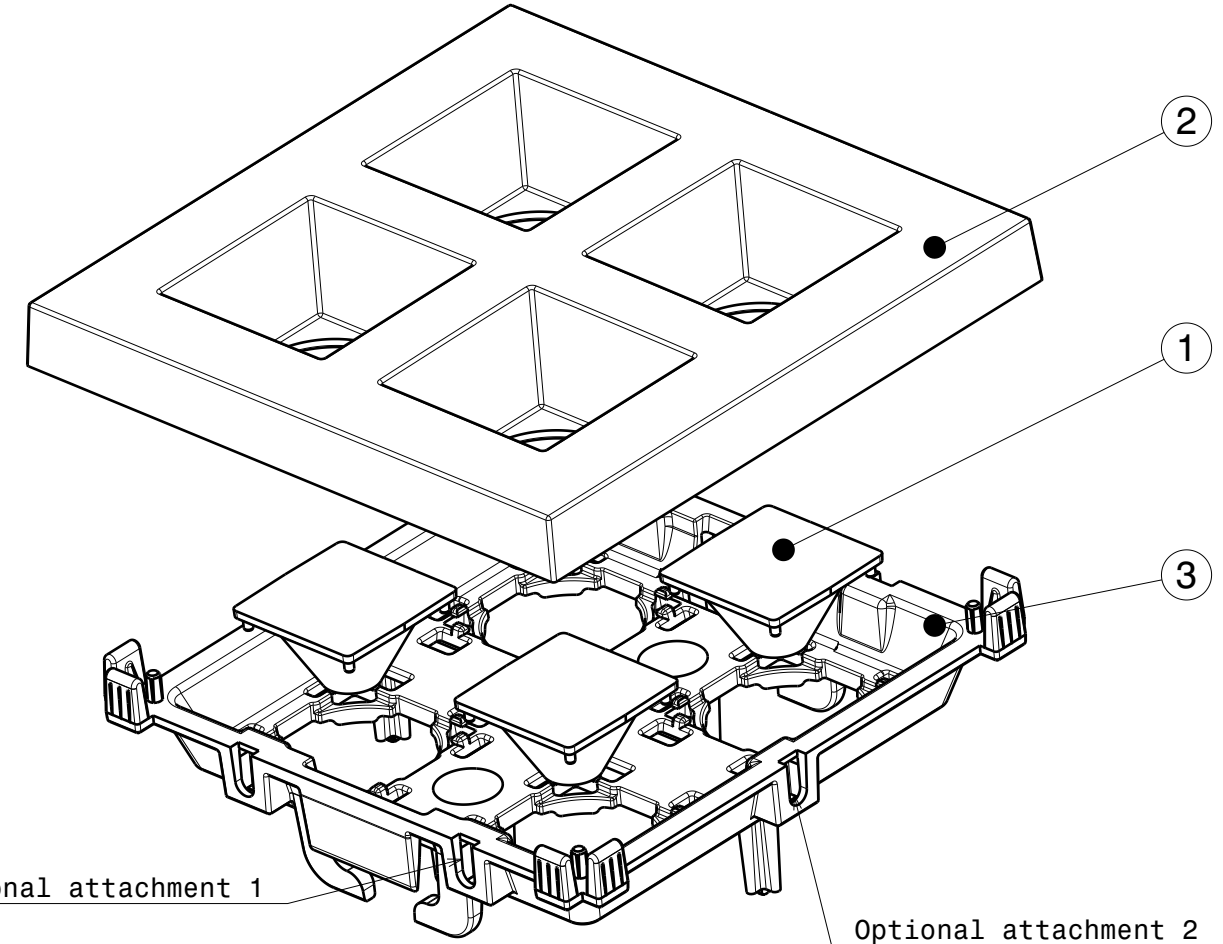
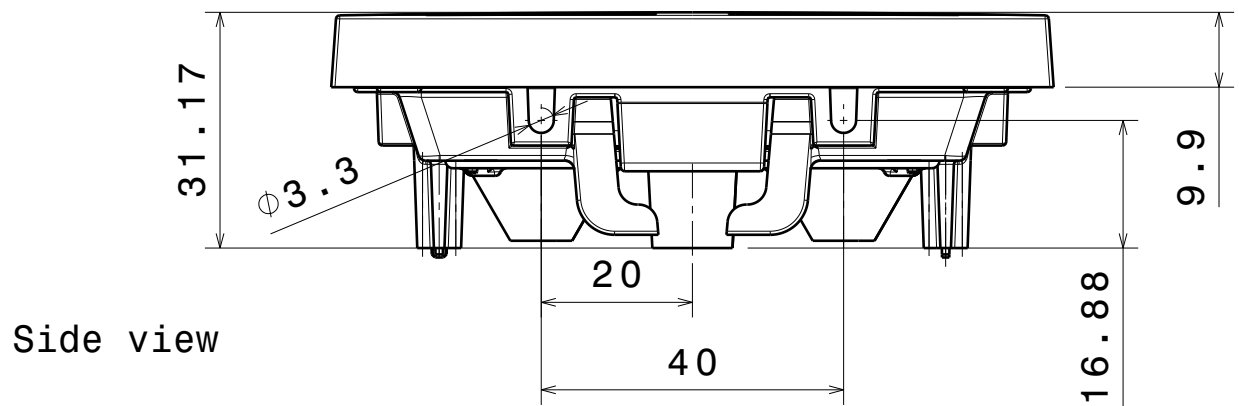
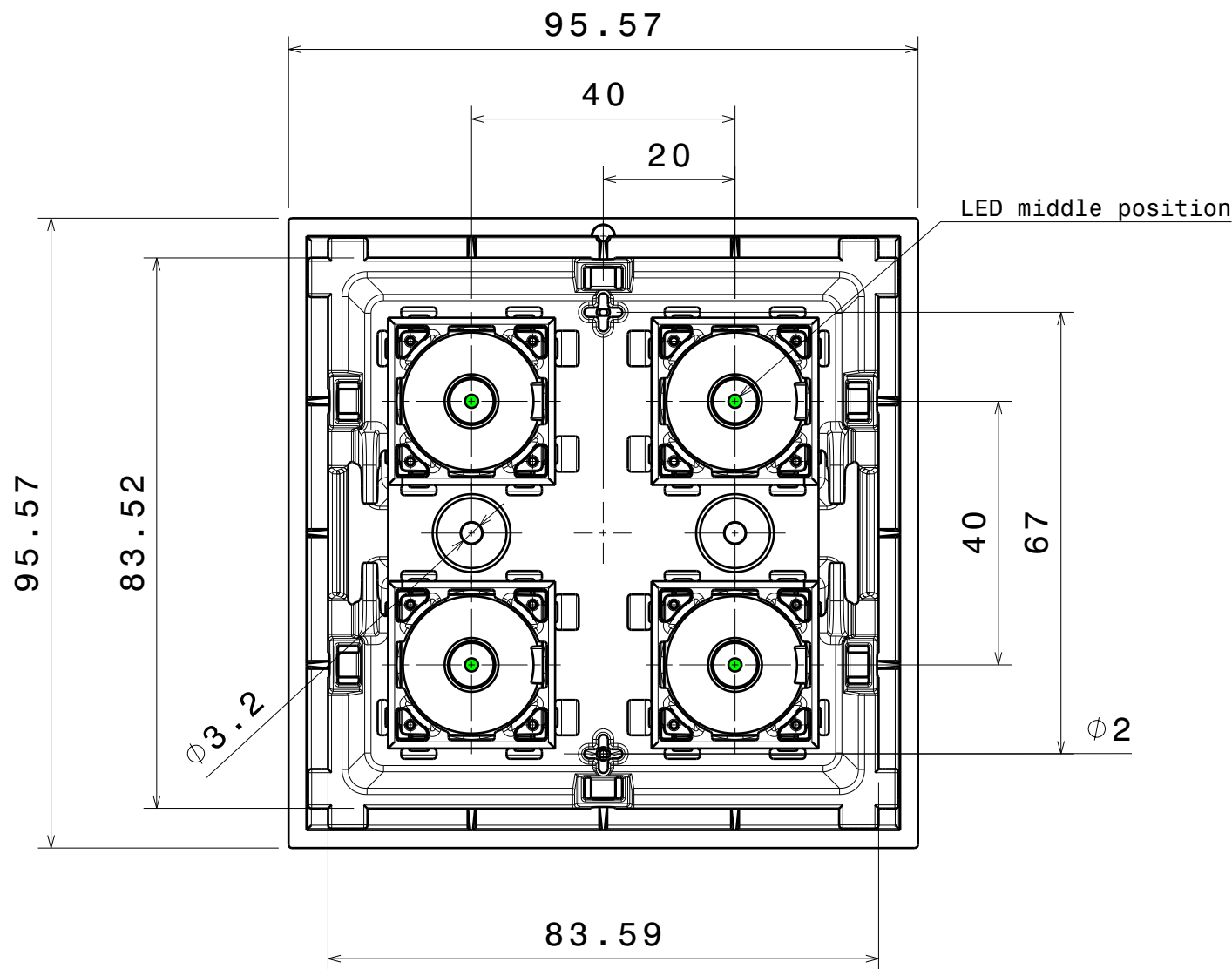


## OPTICAL PROPERTIES

LED	Viewing Angle	Light Beam	Efficiency	cd/lm	Connector
XP-L	30 deg		75 %	2.400	-
XHP35 HD	31 deg		77 %	2.300	-
LUXEON TX	30 deg		80 %	2.700	-
LUXEON MZ	30 deg		75 %	2.500	-
NVSxx19B/NVSxx19C	30 deg		79 %	2.600	-
Oslon Square EC	30 deg		80 %	2.700	-
Oslon Square Gen3	30 deg		75 %	2.600	-



H G F E D C B A



Isometric view  
Scale: 1:1

Isometric view  
Scale: 1:1

Assembly:

1. Attach lenses by pressing them down until they snap into place.
2. Screw the holder (with lenses assembled) to PCB. Inspect that the positioning pins are securely in their holes.
3. Press the shade down on the holder until they are securely attached.

Optional side attachment: The holder can also be attached with DIN 7985 M3 nuts

1. One nut per side for rotational attachment
2. Two per side for fixed beam direction

Recommendations:

Screw type DIN 7985 M3, max. torque 0.6Nm

Compatible with Strada-2X2MX PCB

Tolerances if not otherwise shown  
According to DIN ISO 2768-1  
Linear measures:  
up to 30mm class M, otherwise class C  
According to DIN ISO 2768-2  
Form and position: class L

**LEDiL** LediL Oy  
Salorankatu 10  
FIN 24240 SALO  
Finland

THIRD ANGLE PROJECTION:

DRAWING TITLE  
**FLORENTINA-2x2 assembly**

This drawing is the property of LEDiL Oy. It may not be reproduced, copied or communicated without a written agreement with LEDiL Oy.

SIZE	PART NUMBER		
A3	-		

INDEX	PART NO	DESCRIPTION	MATERIAL	COLOUR
1	-	CMC / MRK lenses	-	
2	C14734	FLORENTINA-2X2-SHD	PC	black
3	C14735	FLORENTINA-2X2-HLD	PC	black

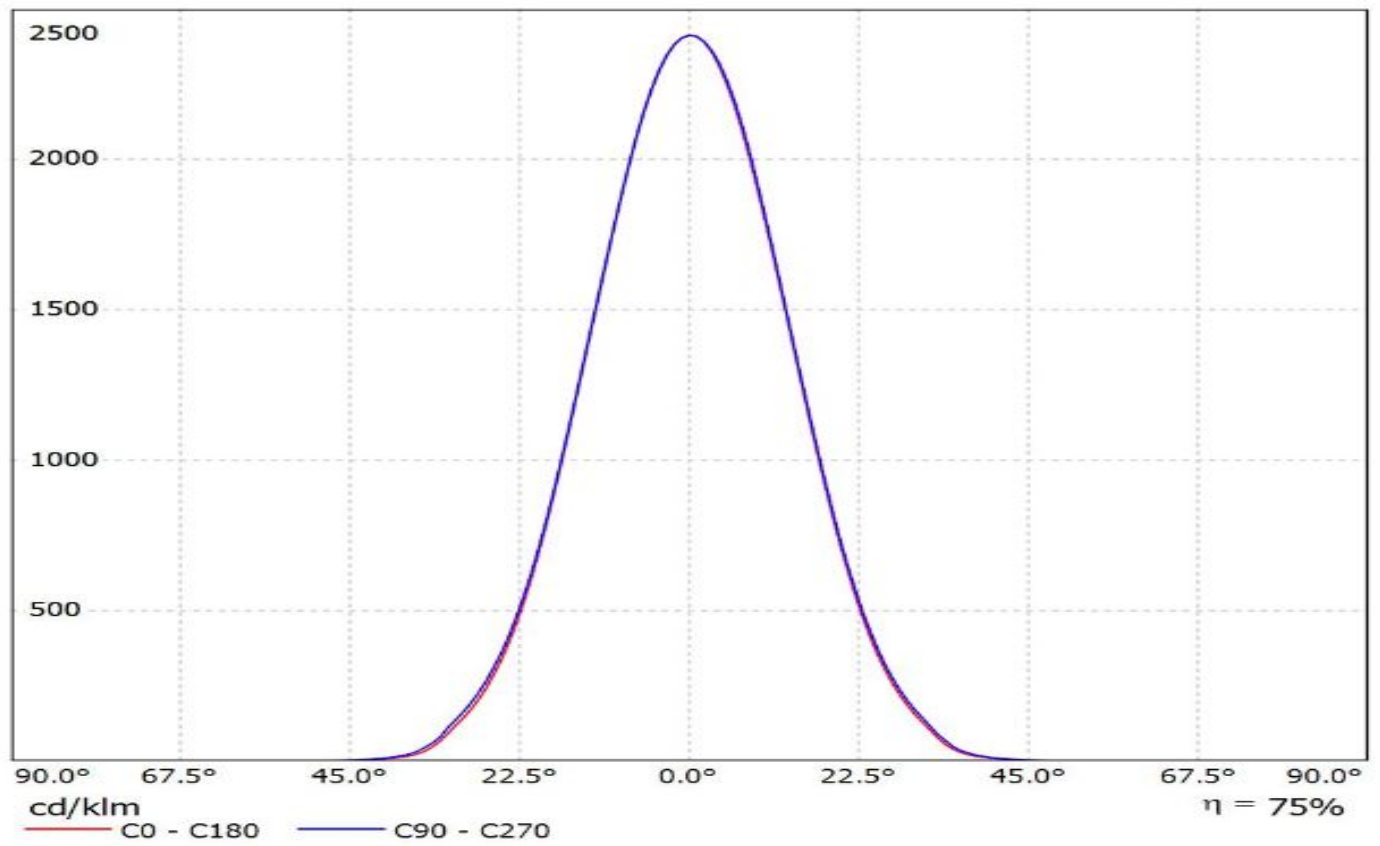
SCALE	1:1	WEIGHT	-	SHEET	1/1
-------	-----	--------	---	-------	-----

H G F E D C B A

## Ledil FC14973\_FLORENTINA-2X2-M\_(XP-L) / LDC (Linear)

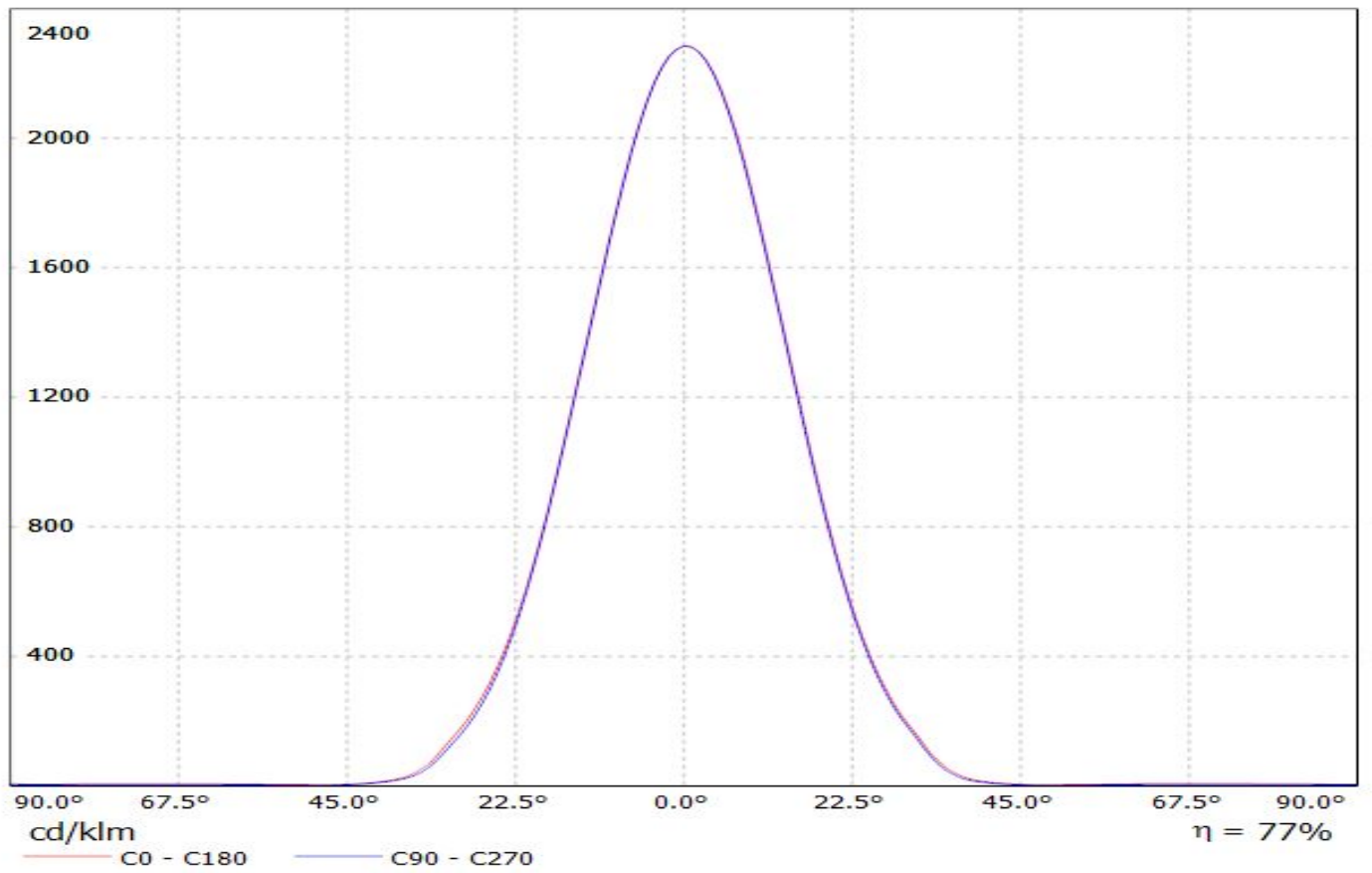
Luminaire: Ledil FC14973\_FLORENTINA-2X2-M\_(XP-L)

Lamps: 1 x CREE\_XP-L\_2x2MX\_(XPLAWT-0-1B0-V40-00-0001)\_515.493lm@250mA\_P=2.8W\_I=0.25A



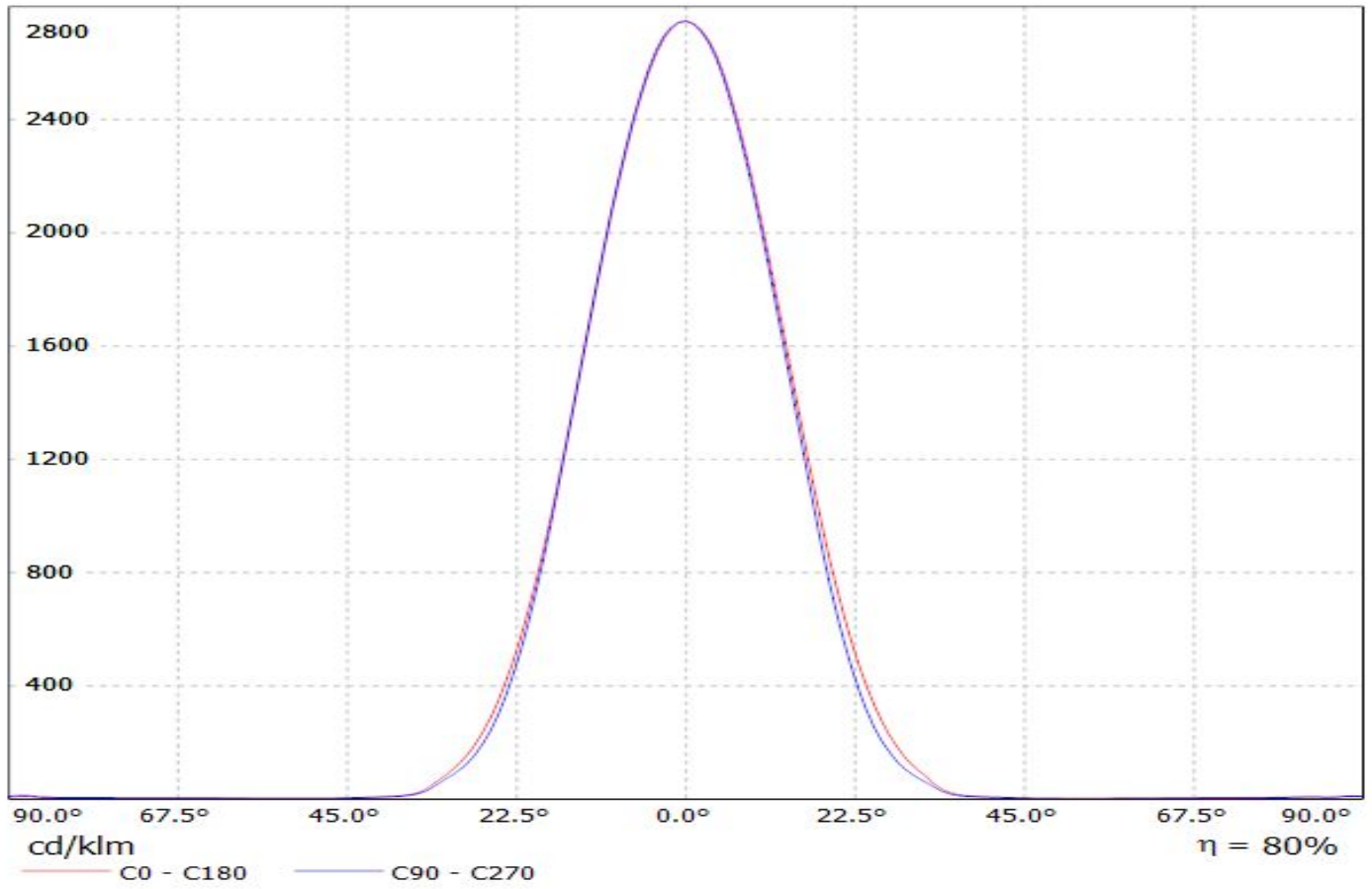
Luminaire: LEDiL Oy FC14973\_FLORENTINA-2X2-M\_(XHP35-HD)

Lamps: 1 x XHP35-HD\_(XHP35A-0-2D0-D40-D0-B-01)\_1705.7lm@250mA\_P=11.219W\_I=0.250A



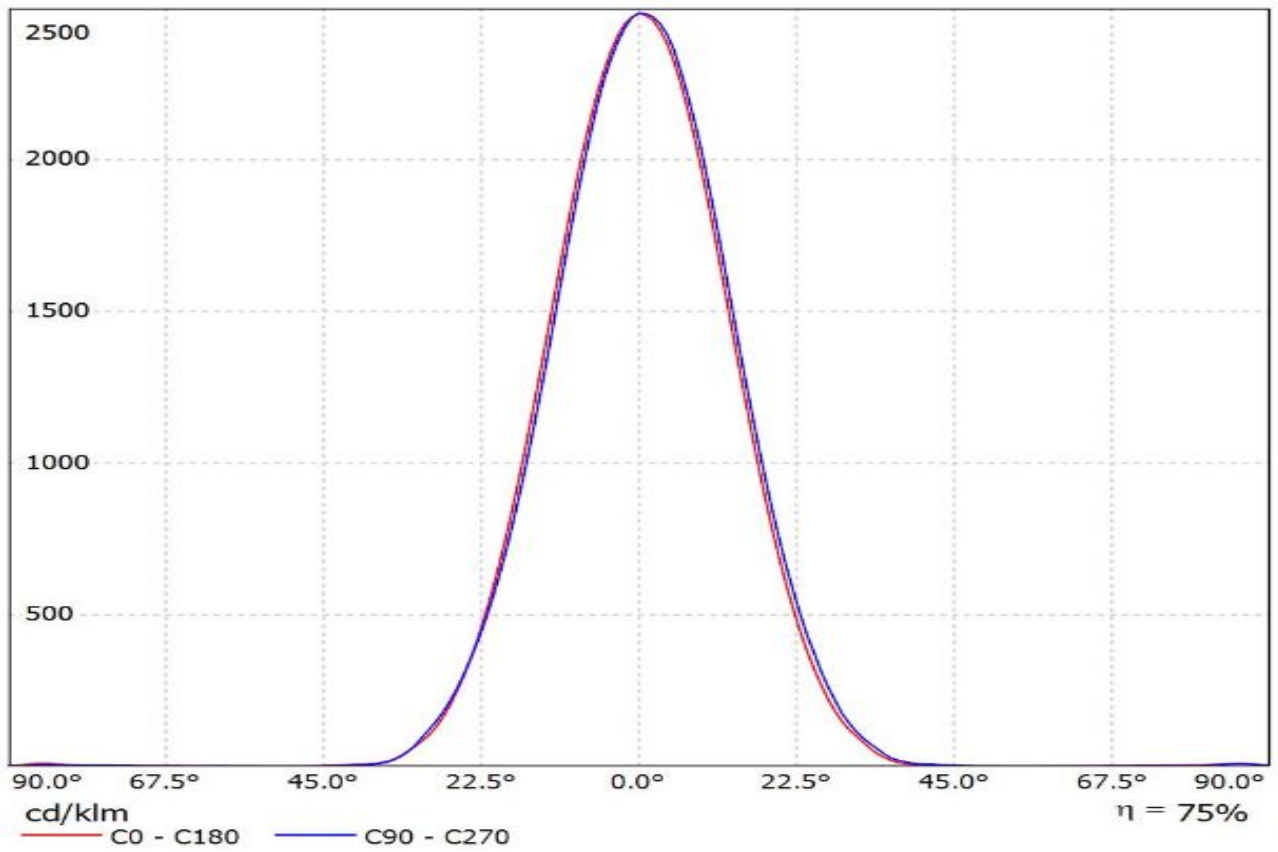
Luminaire: LEDiL Oy FC14973\_FLORENTINA-2X2-M\_(Luxeon\_TX)

Lamps: 1 x Luxeon\_TX\_(L1T2-3080000000000)\_344.318lm@250mA\_P=2.85411W\_I=0.250A

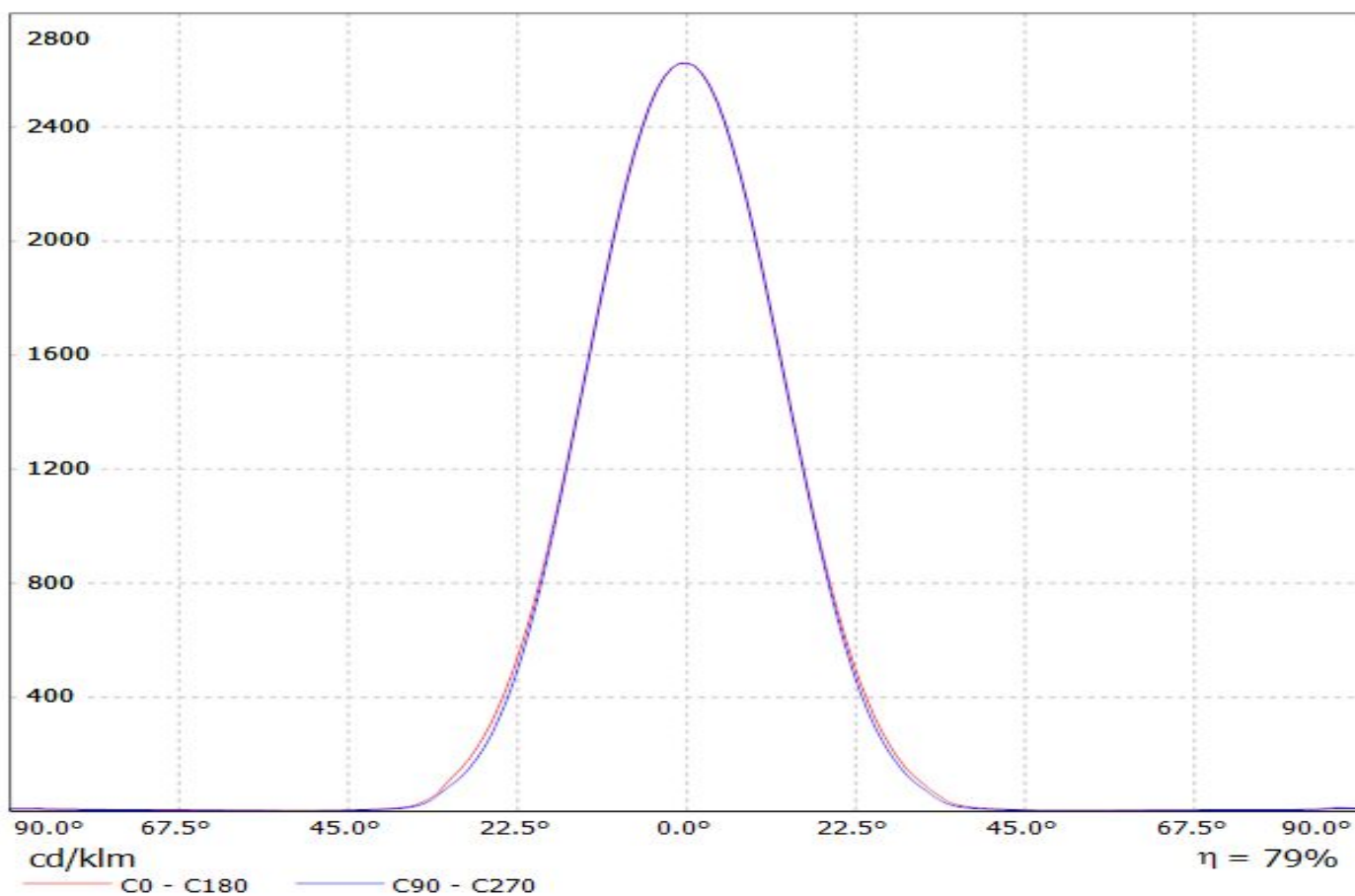


Luminaire: Ledil FC14973\_FLORENTINA-2X2-M (Luxeon\_MZ)

Lamps: 1 x Luxeon\_MZ\_2x2\_(LM29-SW30)\_1110.46lm@250mA\_P=11.0448W\_I=0.25A

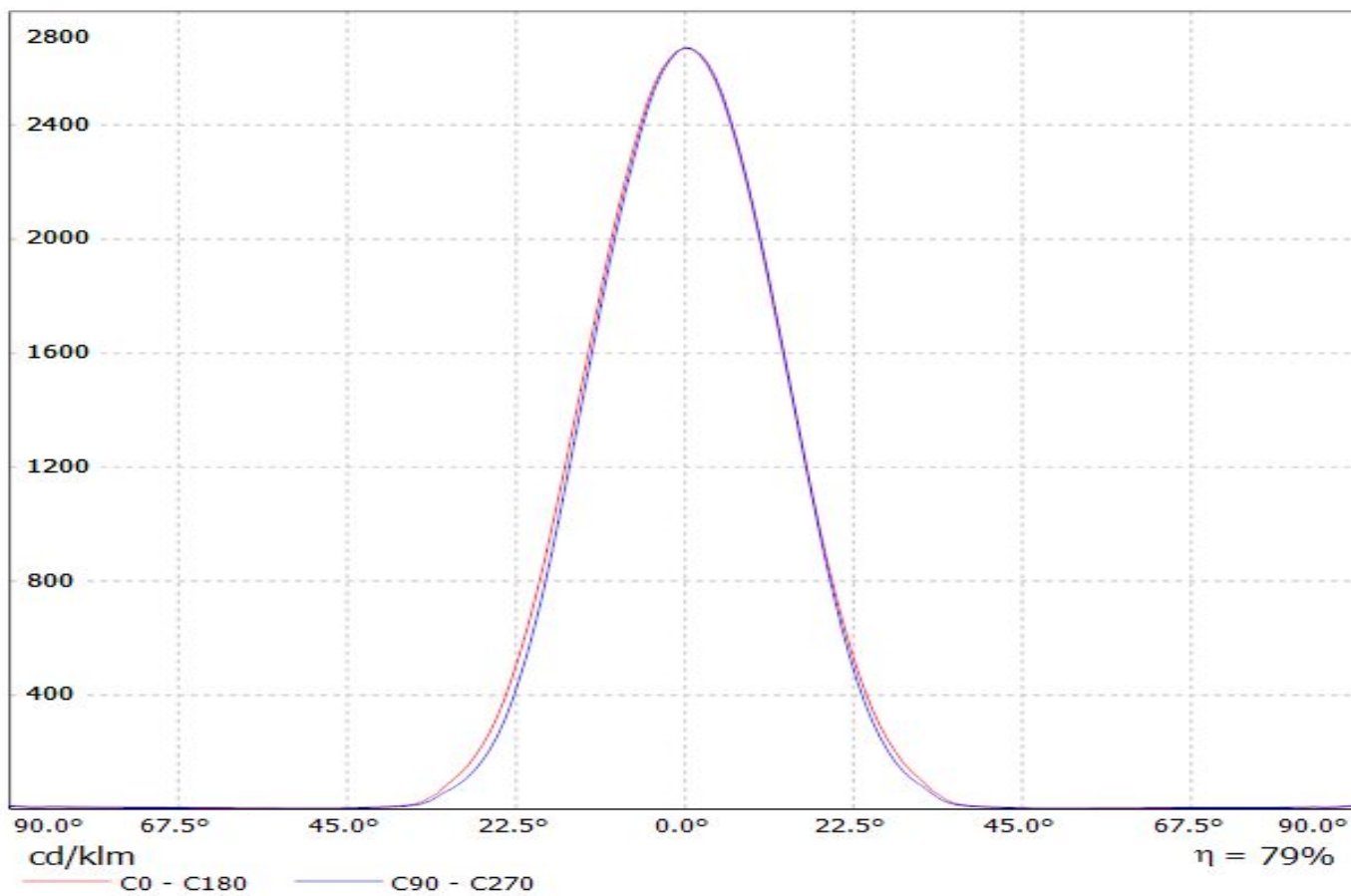


Luminaire: LEDiL Oy FC14973\_FLORENTINA-2X2-M\_(NVSxx19c)  
Lamps: 1 x NVSxx19c\_412.136lm@250mA\_P=2.81612W\_I=0.250A

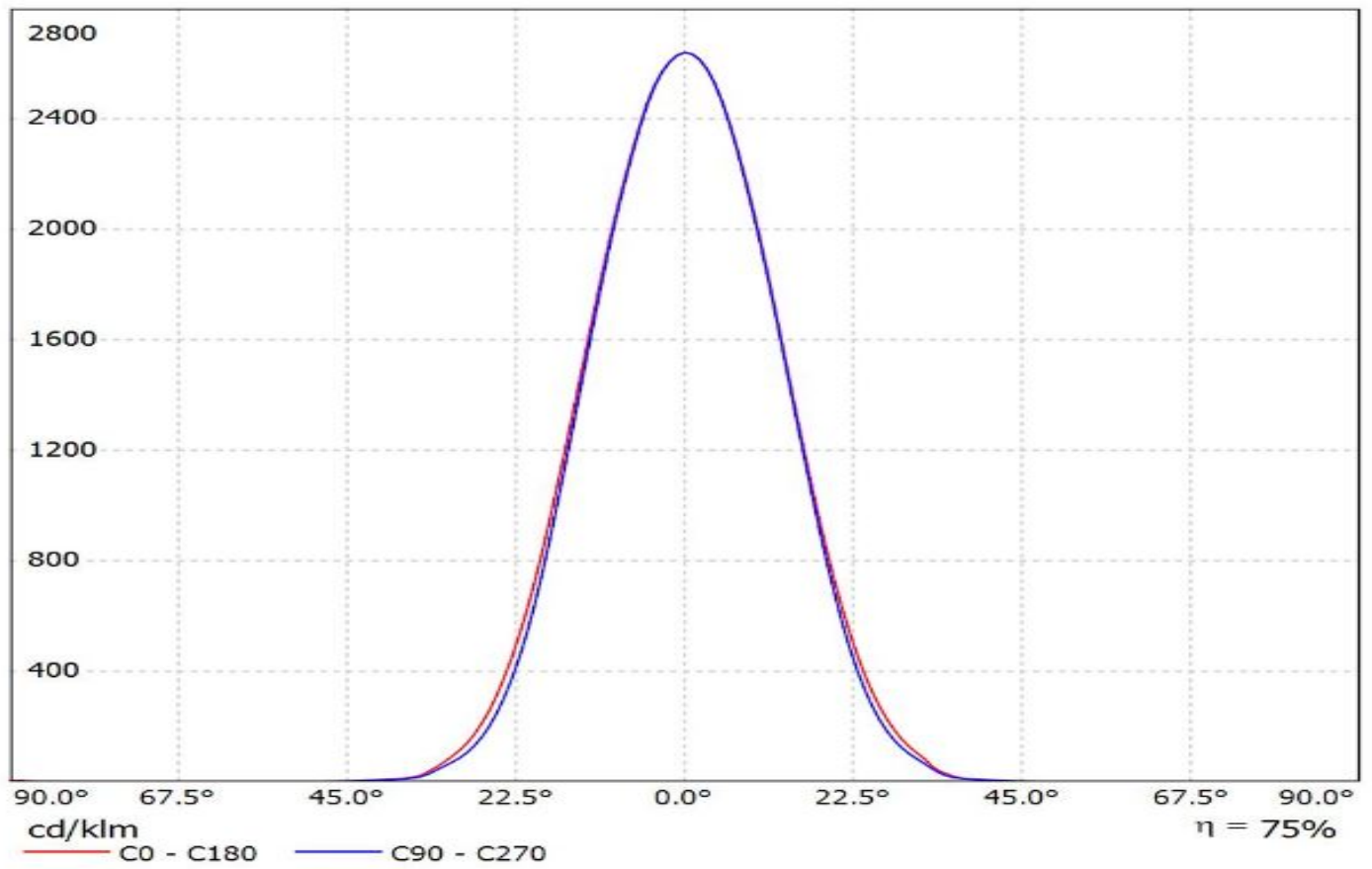




Luminaire: LEDiL Oy FC14973\_FLORENTINA-2X2-M\_(Oslon\_Square)  
Lamps: 1 x Oslon\_Square\_328.682lm@250mA\_P=2.79276W\_I=0.250A



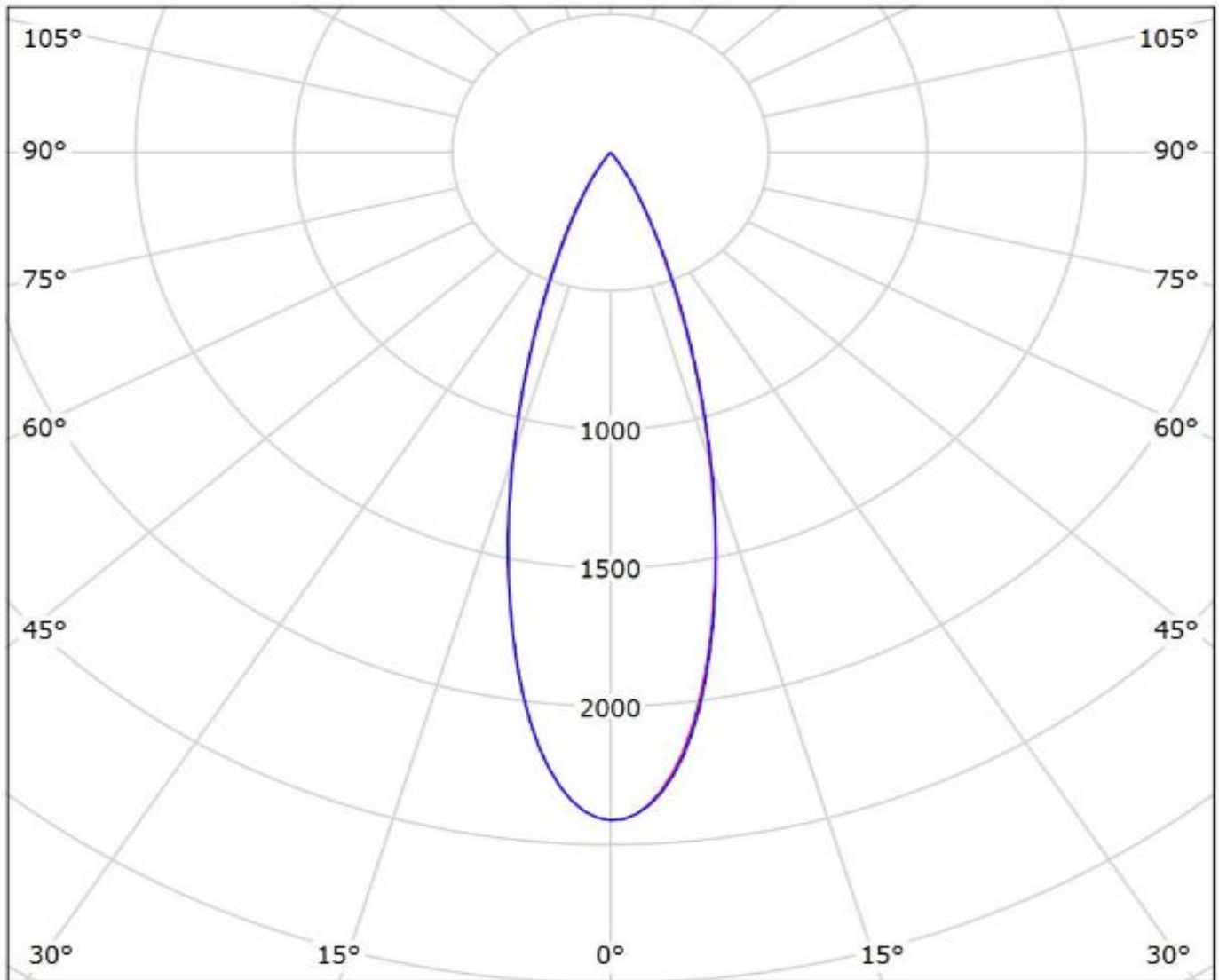
Luminaire: Ledil FC14973\_FLORENTINA-2X2-M\_(SQ\_Gen3)  
Lamps: 1 x Oslon\_square\_GEN3\_(GW\_CSSRM2.PM-MUNQ-A737-1)  
\_453.421lm@250mA\_P=2.7755W\_I=0.25A



# Ledil FC14973\_FLORENTINA-2X2-M\_(XP-L) / LDC (Polar)

Luminaire: Ledil FC14973\_FLORENTINA-2X2-M\_(XP-L)

Lamps: 1 x CREE\_XP-L\_2x2MX\_(XPLAWT-0-1B0-V40-00-0001)\_515.493lm@250mA\_P=2.8W\_I=0.25A



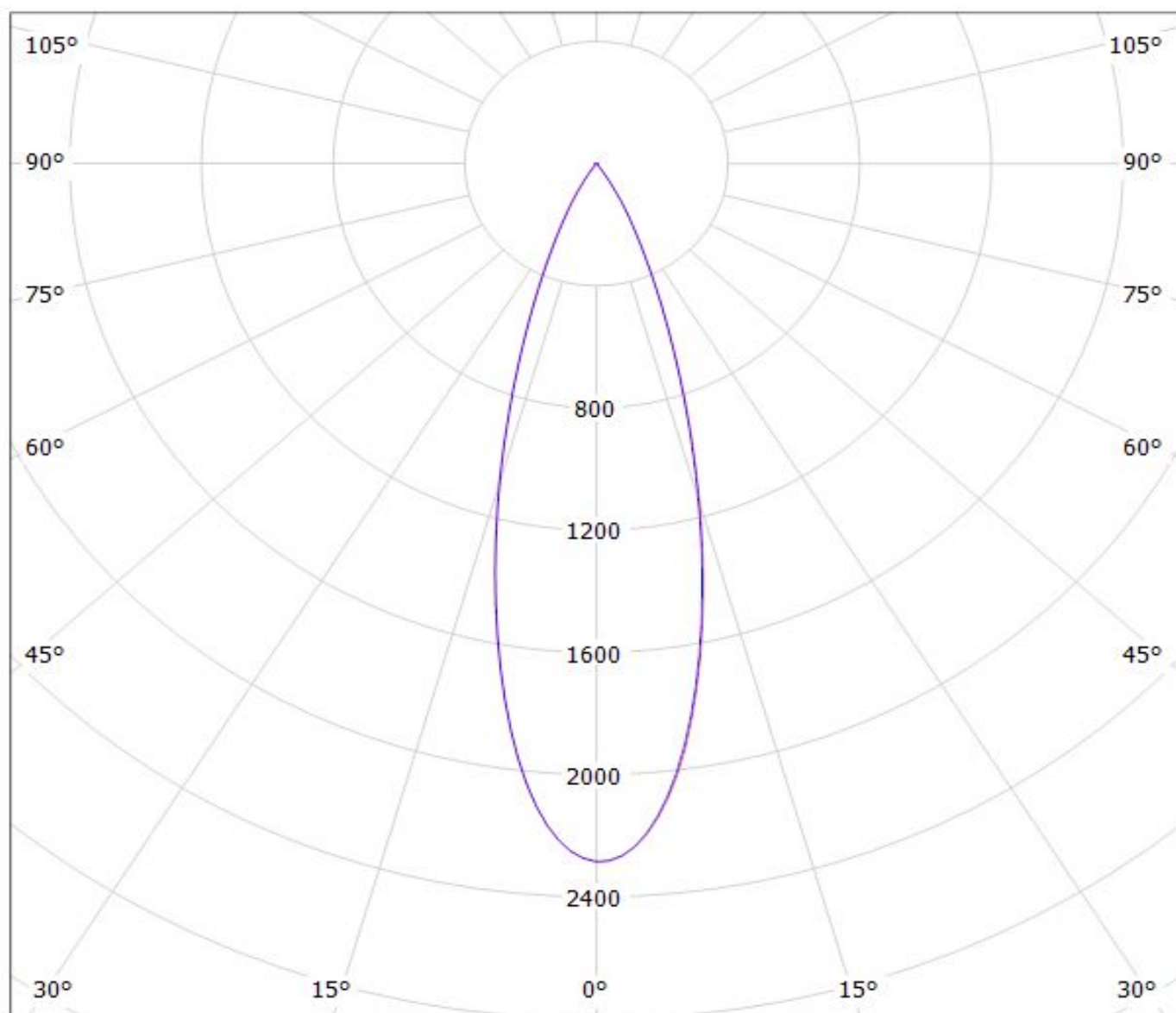
cd/klm

— C0 - C180 — C90 - C270

$\eta = 75\%$

Luminaire: LEDiL Oy FC14973\_FLORENTINA-2X2-M\_(XHP35-HD)

Lamps: 1 x XHP35-HD\_(XHP35A-0-2D0-D40-D0-B-01)\_1705.7lm@250mA\_P=11.219W\_I=0.250A



cd/klm

— C0 - C180

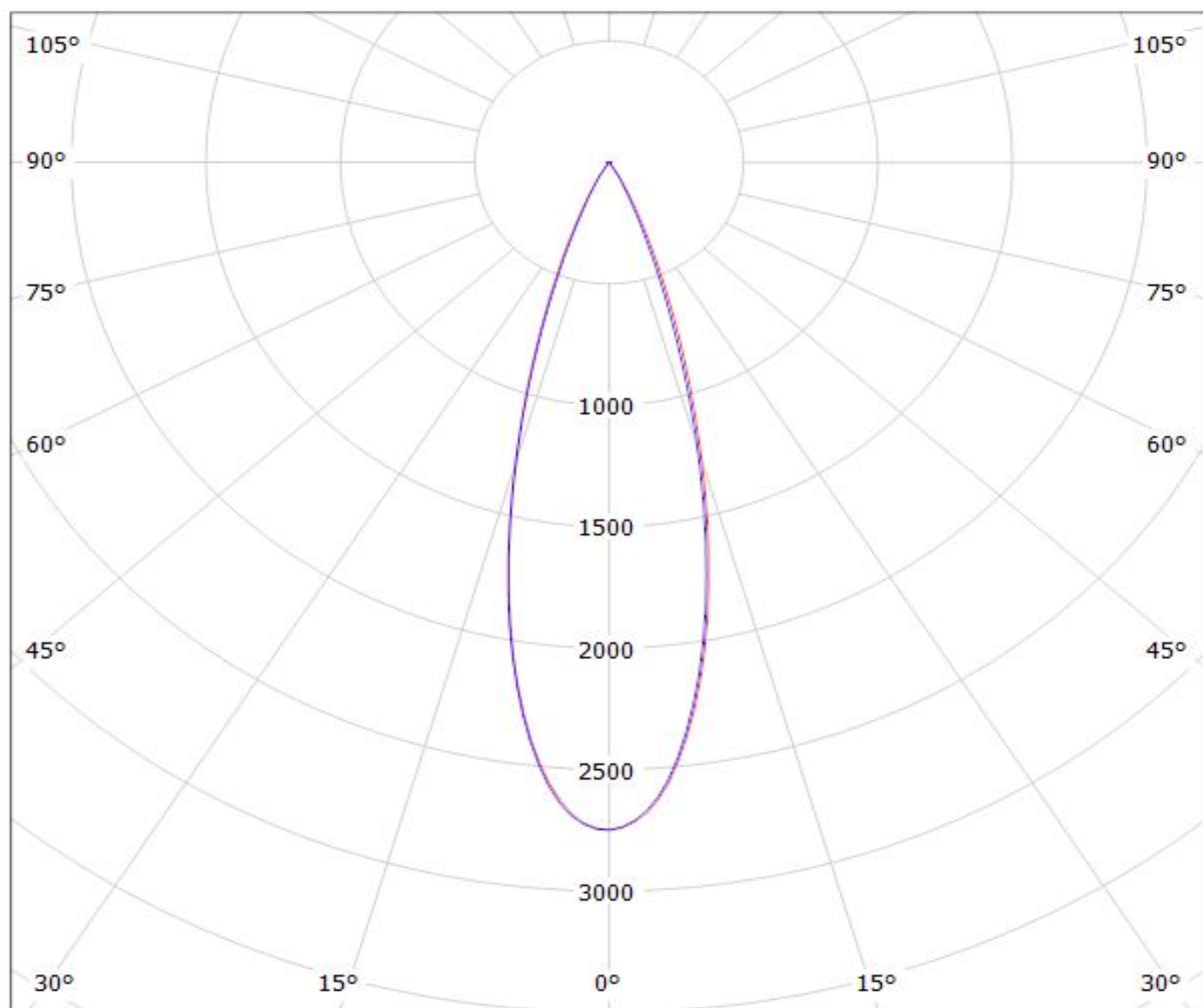
— C90 - C270

$\eta = 77\%$



Luminaire: LEDiL Oy FC14973\_FLORENTINA-2X2-M\_(Luxeon\_TX)

Lamps: 1 x Luxeon\_TX\_(L1T2-3080000000000)\_344.318lm@250mA\_P=2.85411W\_η=0.250A



cd/klm

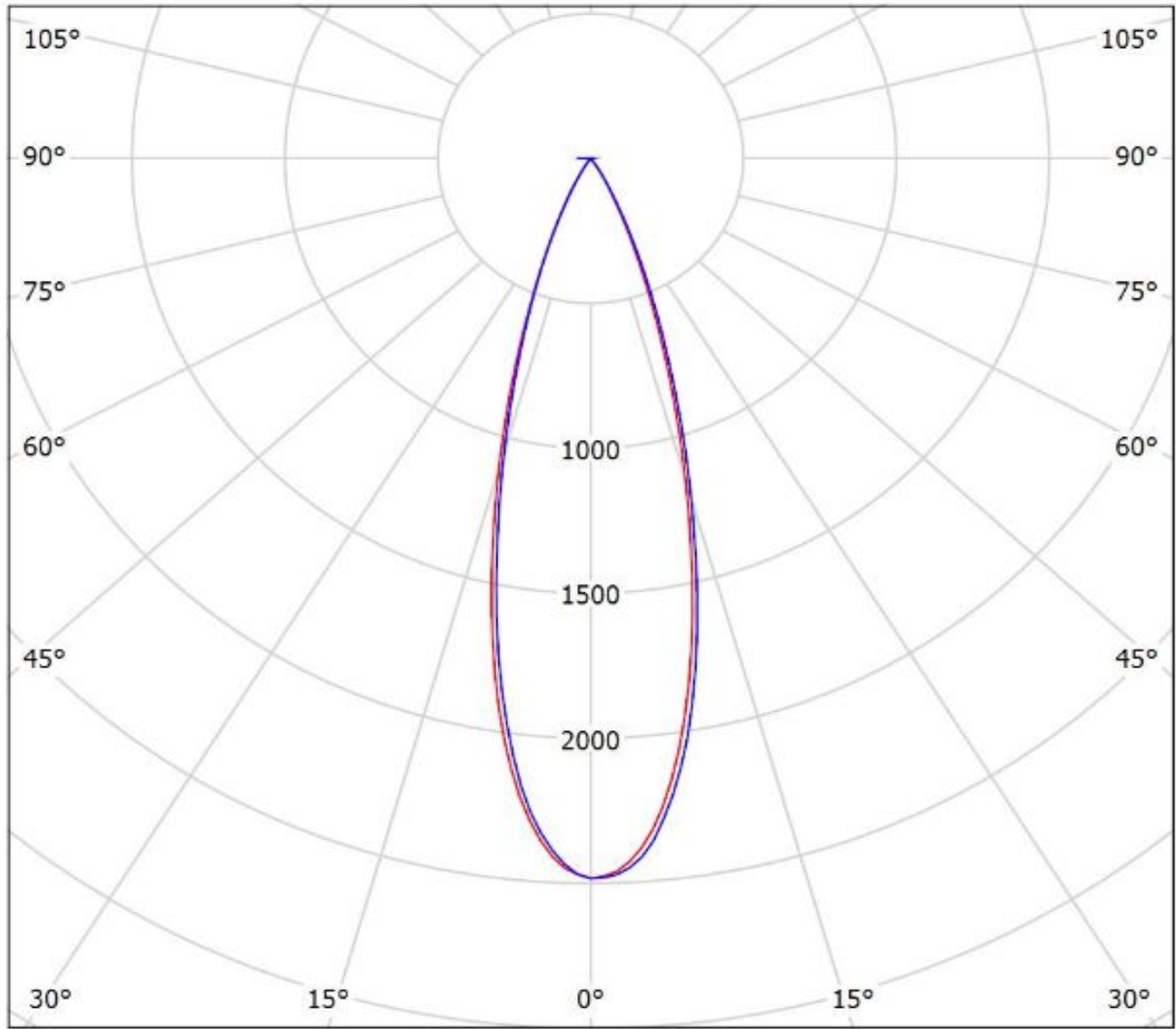
— C0 - C180

— C90 - C270

η = 80%

Luminaire: Ledil FC14973\_FLORENTINA-2X2-M\_(Luxeon\_MZ)

Lamps: 1 x Luxeon\_MZ\_2x2\_(LM29-SW30)\_1110.46lm@250mA\_P=11.0448W\_I=0.25A

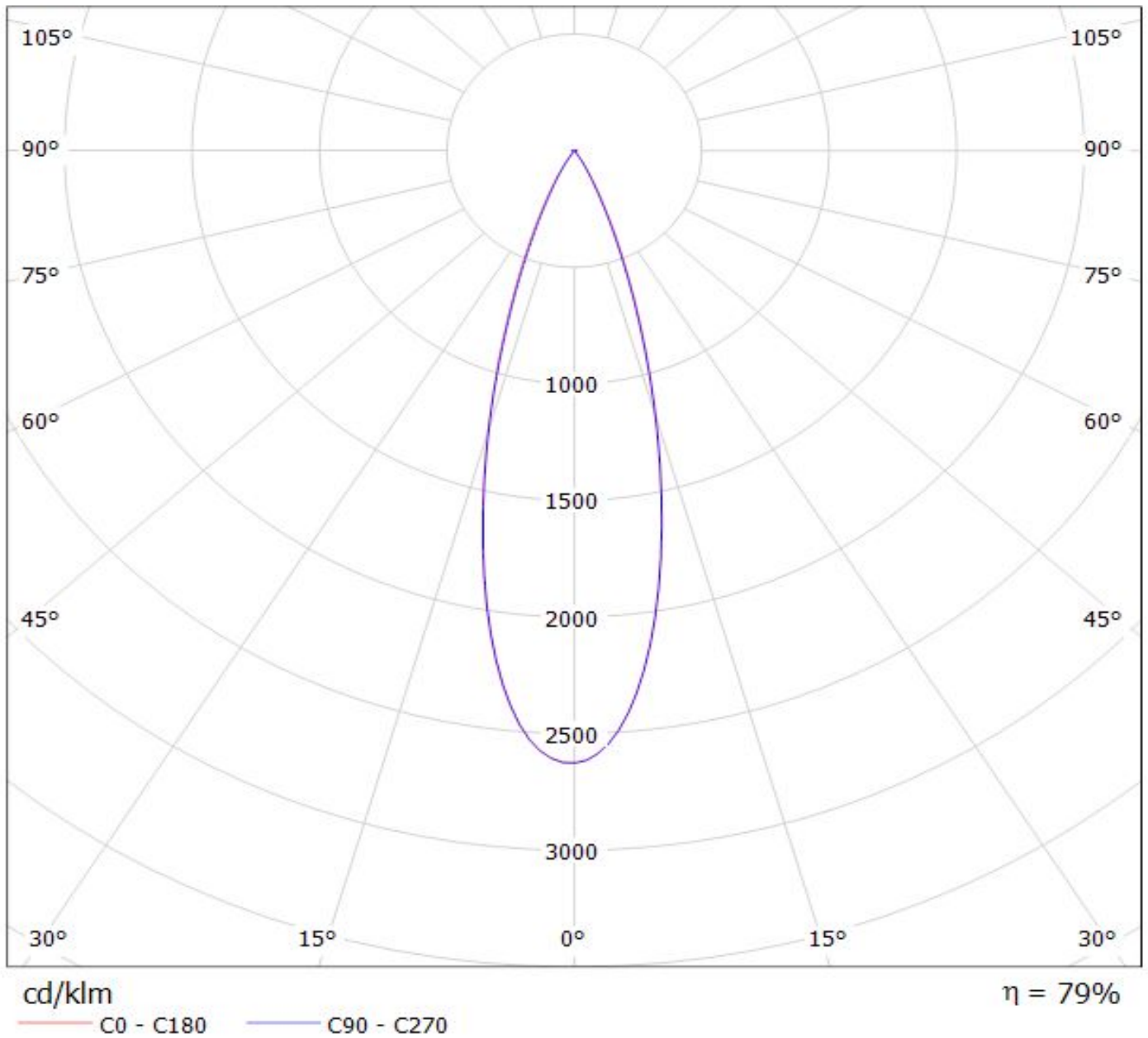


cd/klm

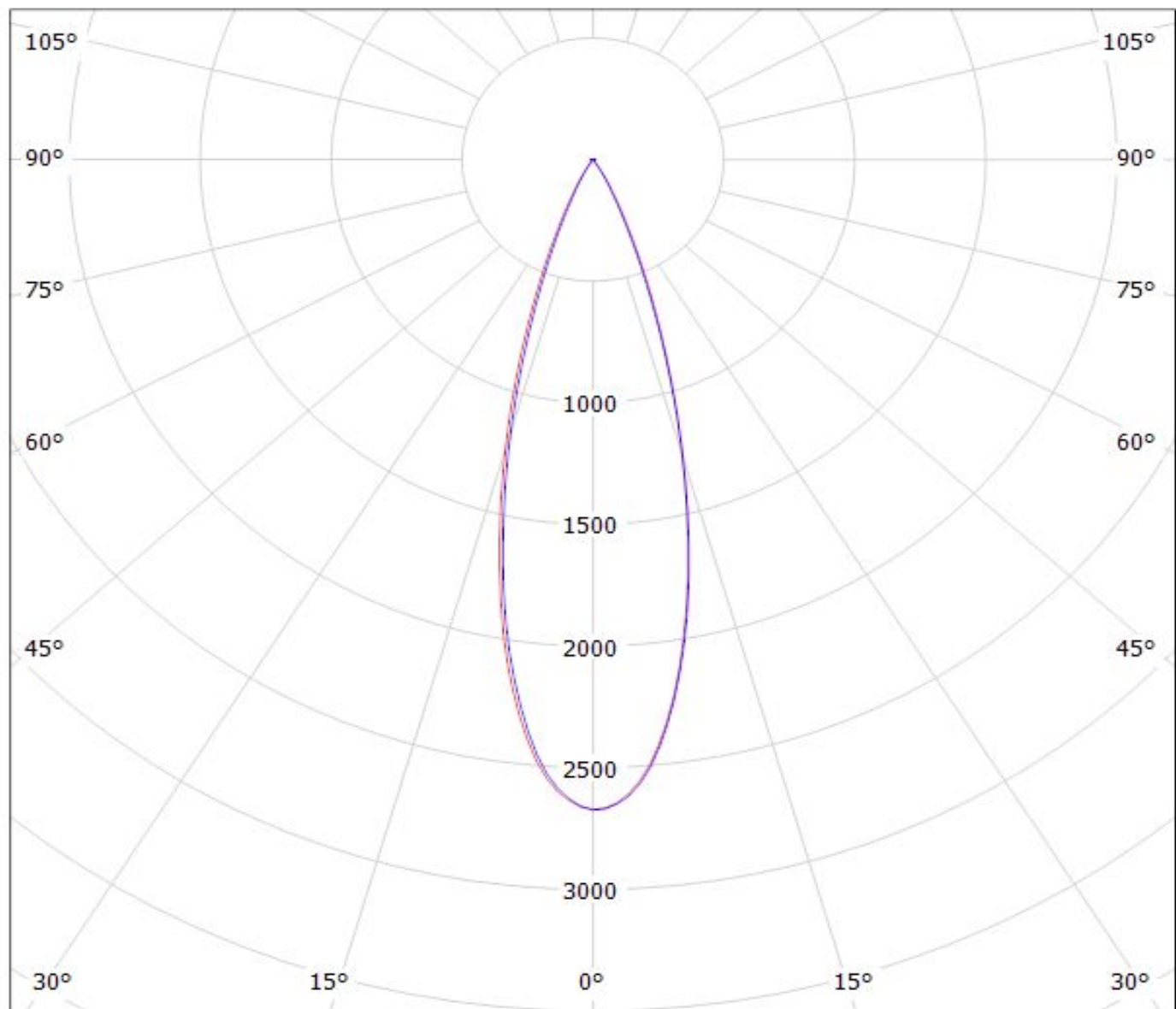
— C0 - C180 — C90 - C270

$\eta = 75\%$

Luminaire: LEDiL Oy FC14973\_FLORENTINA-2X2-M\_(NVSxx19c)  
Lamps: 1 x NVSxx19c\_412.136lm@250mA\_P=2.81612W\_I=0.250A



Luminaire: LEDiL Oy FC14973\_FLORENTINA-2X2-M\_(Oslon\_Square)  
Lamps: 1 x Oslon\_Square\_328.682lm@250mA\_P=2.79276W\_I=0.250A

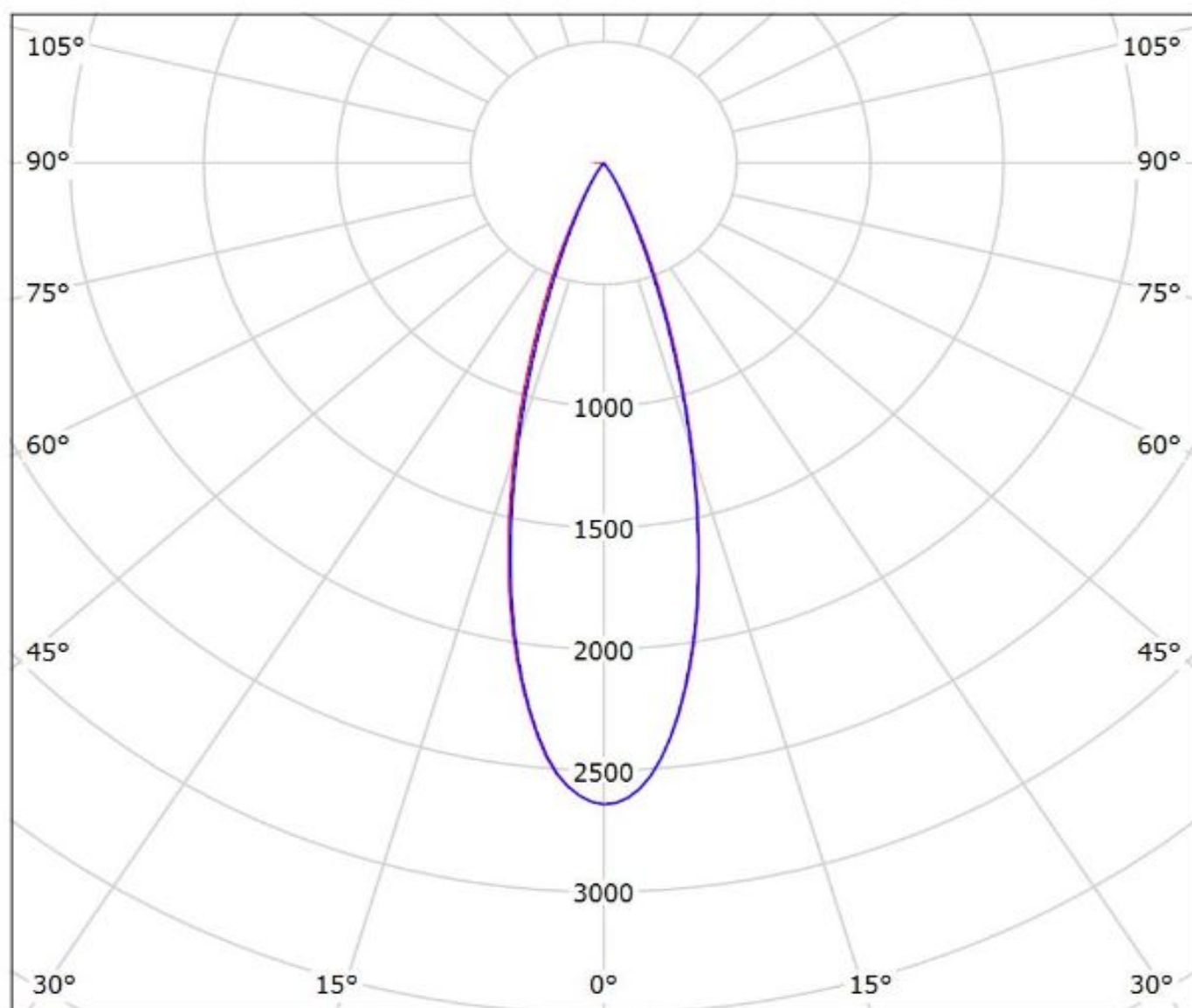


cd/klm  
— C0 - C180    — C90 - C270

$\eta = 79\%$



Luminaire: Ledil FC14973\_FLORENTINA-2X2-M\_(SQ\_Gen3)  
Lamps: 1 x Oslon\_square\_GEN3\_(GW\_CSSRM2.PM-MUNQ-A737-1)  
\_453.421lm@250mA\_P=2.7755W\_I=0.25A



cd/klm  
— C0 - C180 — C90 - C270

$\eta = 75\%$

**NOTE: The typical divergence will be changed by different color, chip size and chip position tolerance. The typical total divergence is the full angle measured where the luminous intensity is half of the peak value.**