



Chipsmall Limited consists of a professional team with an average of over 10 year of expertise in the distribution of electronic components. Based in Hongkong, we have already established firm and mutual-benefit business relationships with customers from,Europe,America and south Asia,supplying obsolete and hard-to-find components to meet their specific needs.

With the principle of "Quality Parts,Customers Priority,Honest Operation,and Considerate Service",our business mainly focus on the distribution of electronic components. Line cards we deal with include Microchip,ALPS,ROHM,Xilinx,Pulse,ON,Everlight and Freescale. Main products comprise IC,Modules,Potentiometer,IC Socket,Relay,Connector.Our parts cover such applications as commercial,industrial, and automotives areas.

We are looking forward to setting up business relationship with you and hope to provide you with the best service and solution. Let us make a better world for our industry!



Contact us

Tel: +86-755-8981 8866 Fax: +86-755-8427 6832

Email & Skype: info@chipsmall.com Web: www.chipsmall.com

Address: A1208, Overseas Decoration Building, #122 Zhenhua RD., Futian, Shenzhen, China



DETAILS

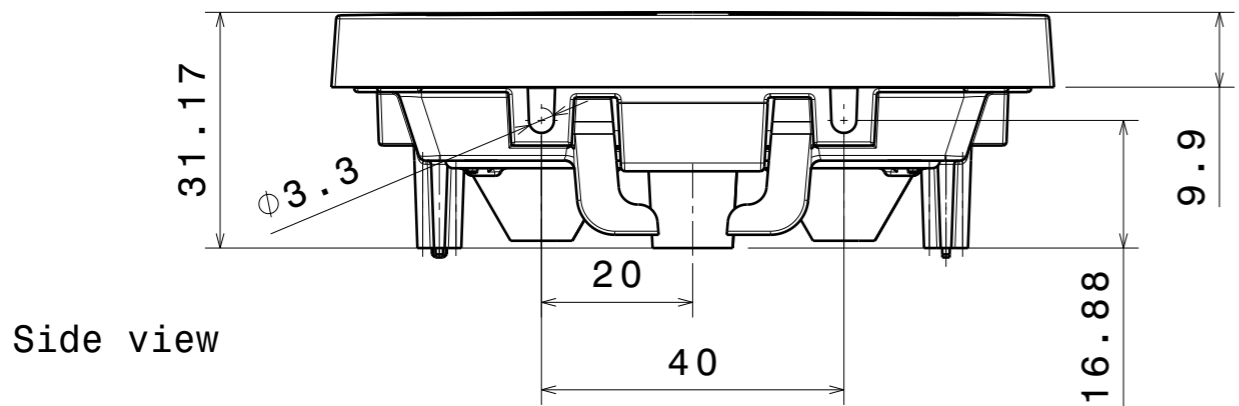
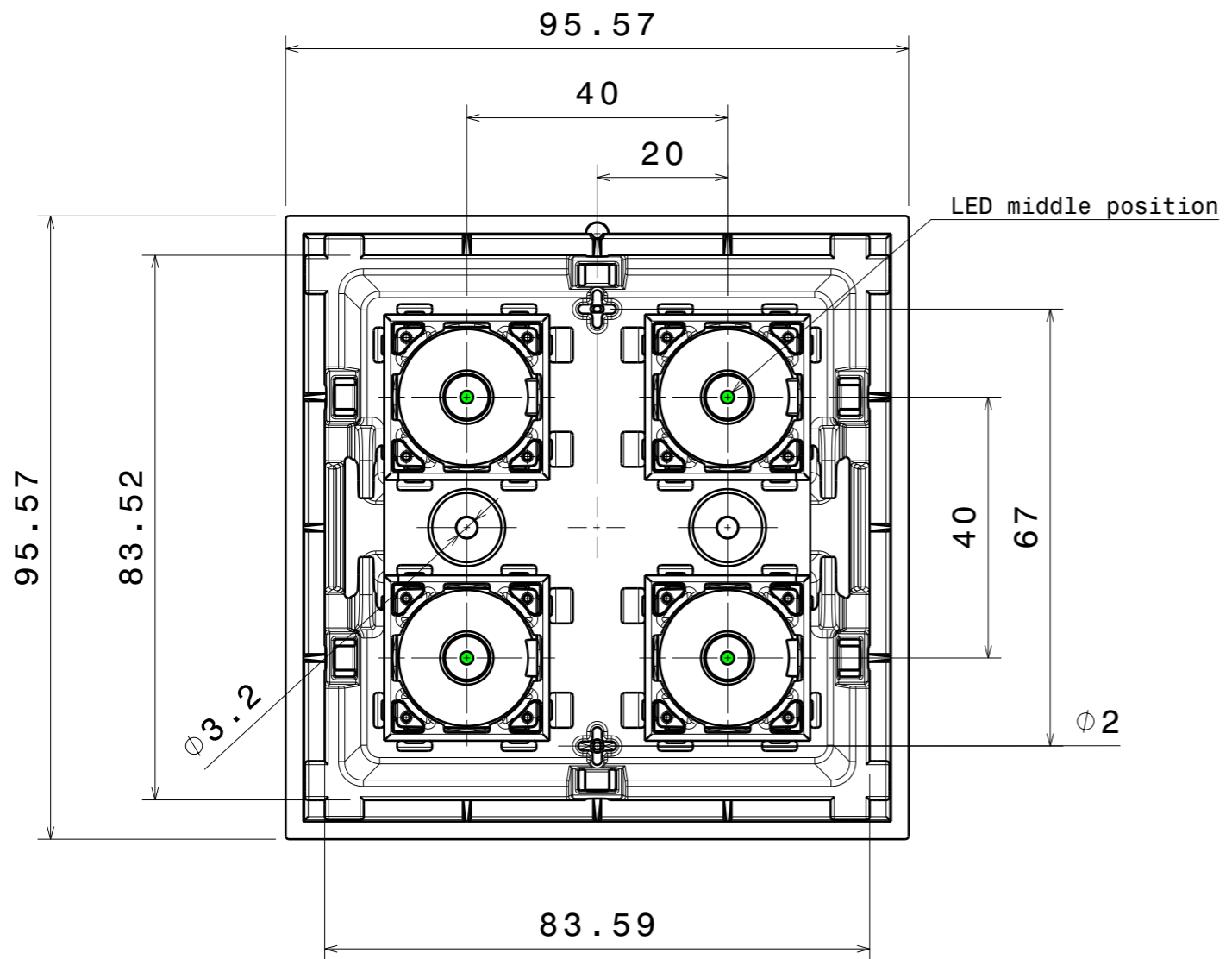
Product Number	FC14975_FLORENTINA-2X2-W
Family	Florentina
Type	Pack
Color	black
Diameter	95,57x95,57 mm
Height	17,72 mm
Style	square
Optic Material	
Holder Material	
Fastening	screw, pin
Status	production ready
ROHS Compliant	Yes
Date Updated	24/08/2016



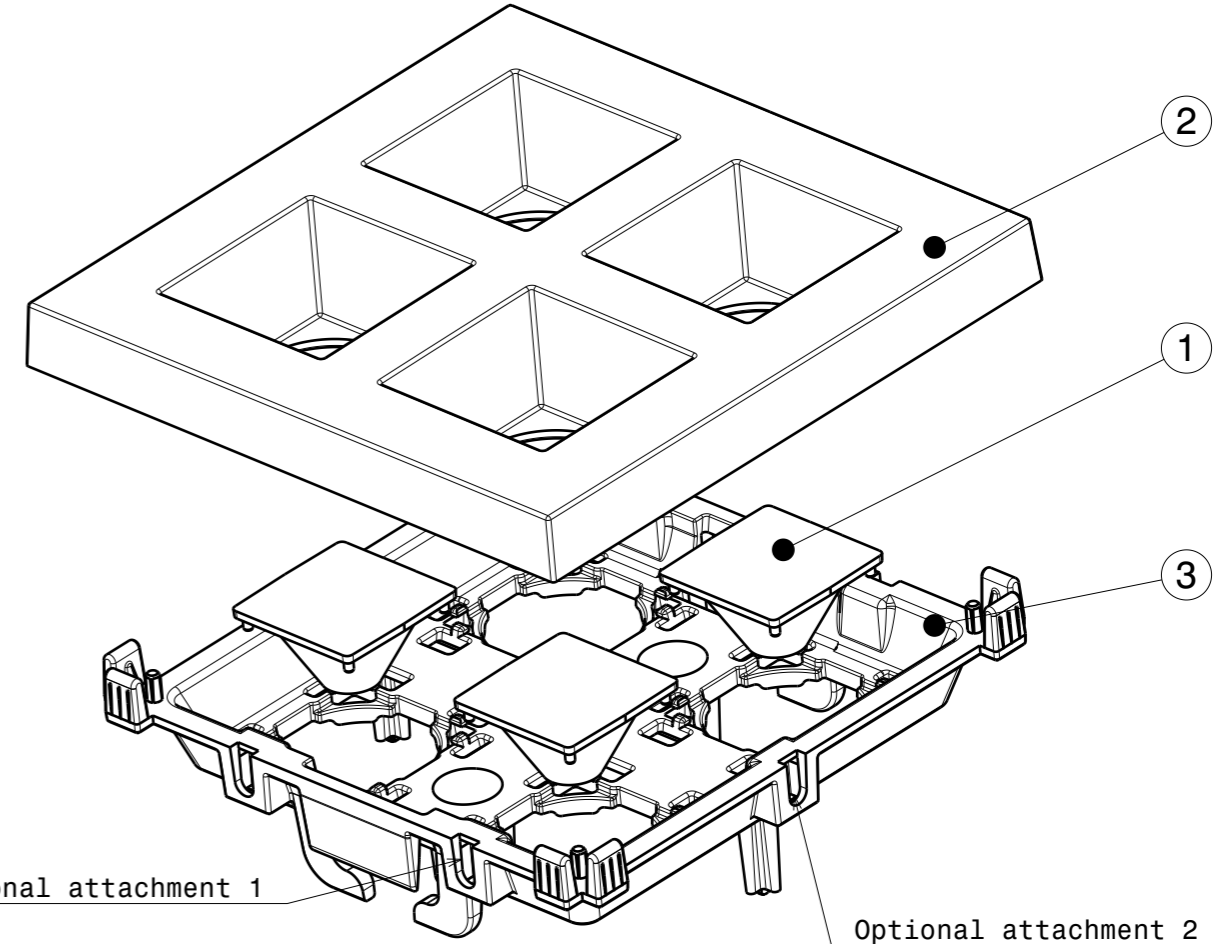
OPTICAL PROPERTIES

LED	Viewing Angle	Light Beam	Efficiency	cd/lm	Connector
XP-L	49 deg		70 %	1.000	-
XHP35 HD	49 deg		70 %	1.000	-
LUXEON TX	41 deg		76 %	1.500	-
LUXEON MZ	36 deg		66 %	1.500	-
NVSxx19B/NVSxx19C	42 deg		80 %	1.400	-
Oslo Square Gen3	35 deg		69 %	1.600	-

H G F E D C B A



Side view



Isometric view
Scale: 1:1

Isometric view
Scale: 1:1

Assembly:

1. Attach lenses by pressing them down until they snap into place.
2. Screw the holder (with lenses assembled) to PCB. Inspect that the positioning pins are securely in their holes.
3. Press the shade down on the holder until they are securely attached.

Optional side attachment: The holder can also be attached with DIN 7985 M3 nuts

1. One nut per side for rotational attachment
2. Two per side for fixed beam direction

Recommendations:

Screw type DIN 7985 M3, max. torque 0.6Nm

Compatible with Strada-2X2MX PCB

Tolerances if not otherwise shown
According to DIN ISO 2768-1
Linear measures:
up to 30mm class M, otherwise class C
According to DIN ISO 2768-2
Form and position: class L

LEDiL LediL Oy
Salorankatu 10
FIN 24240 SALO
Finland

THIRD ANGLE PROJECTION:

DRAWING TITLE
FLORENTINA-2x2 assembly

This drawing is the property of LEDiL Oy. It may not be reproduced, copied or communicated without a written agreement with LEDiL Oy.

SIZE **A3** PART NUMBER -

INDEX	PART NO	DESCRIPTION	MATERIAL	COLOUR
1	-	CMC / MRK lenses	-	
2	C14734	FLORENTINA-2X2-SHD	PC	black
3	C14735	FLORENTINA-2X2-HLD	PC	black

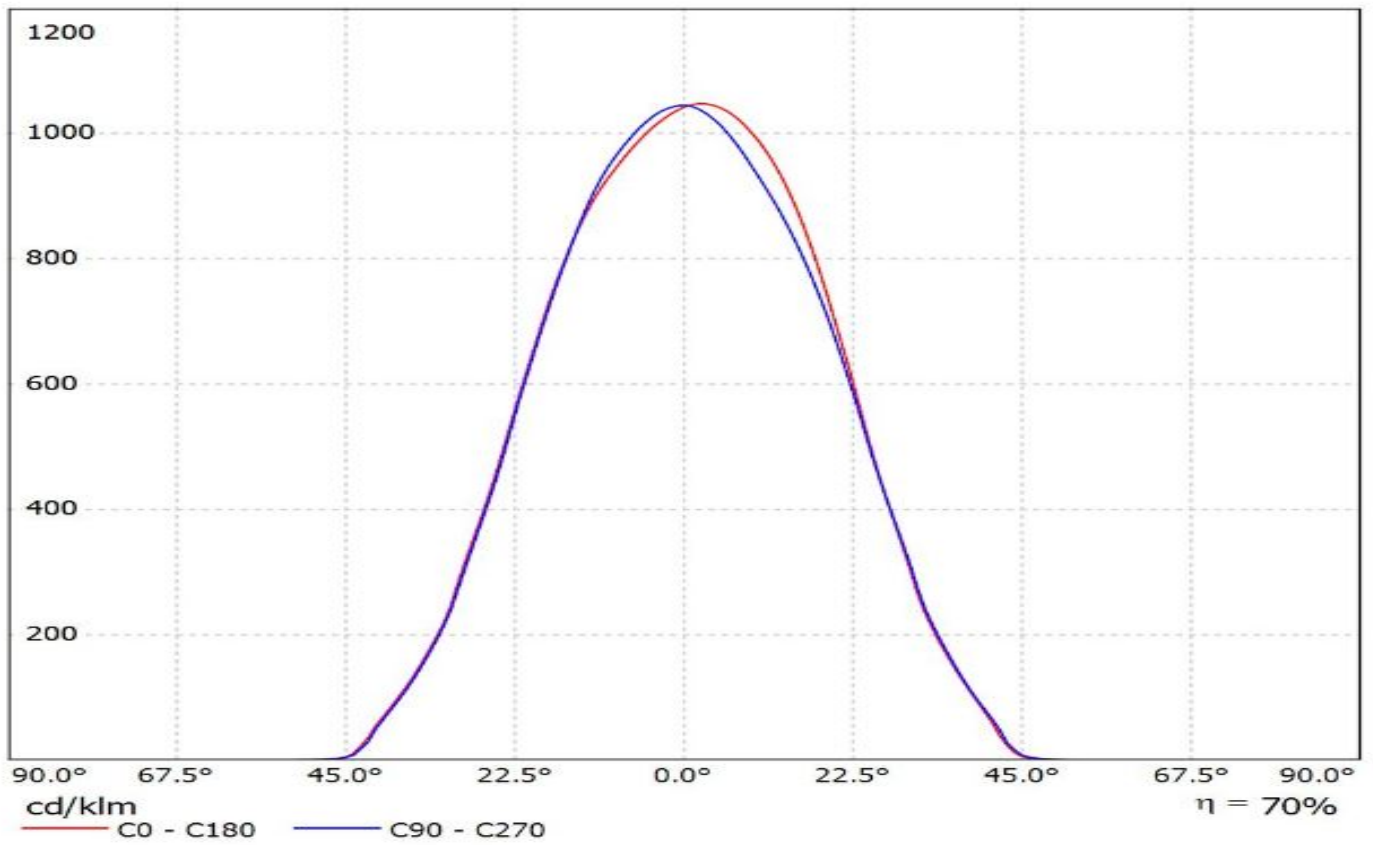
SCALE 1:1 WEIGHT - SHEET 1/1

H G B A

Ledil FC14975_FLORENTINA-2X2-W_(XP-L) / LDC (Linear)

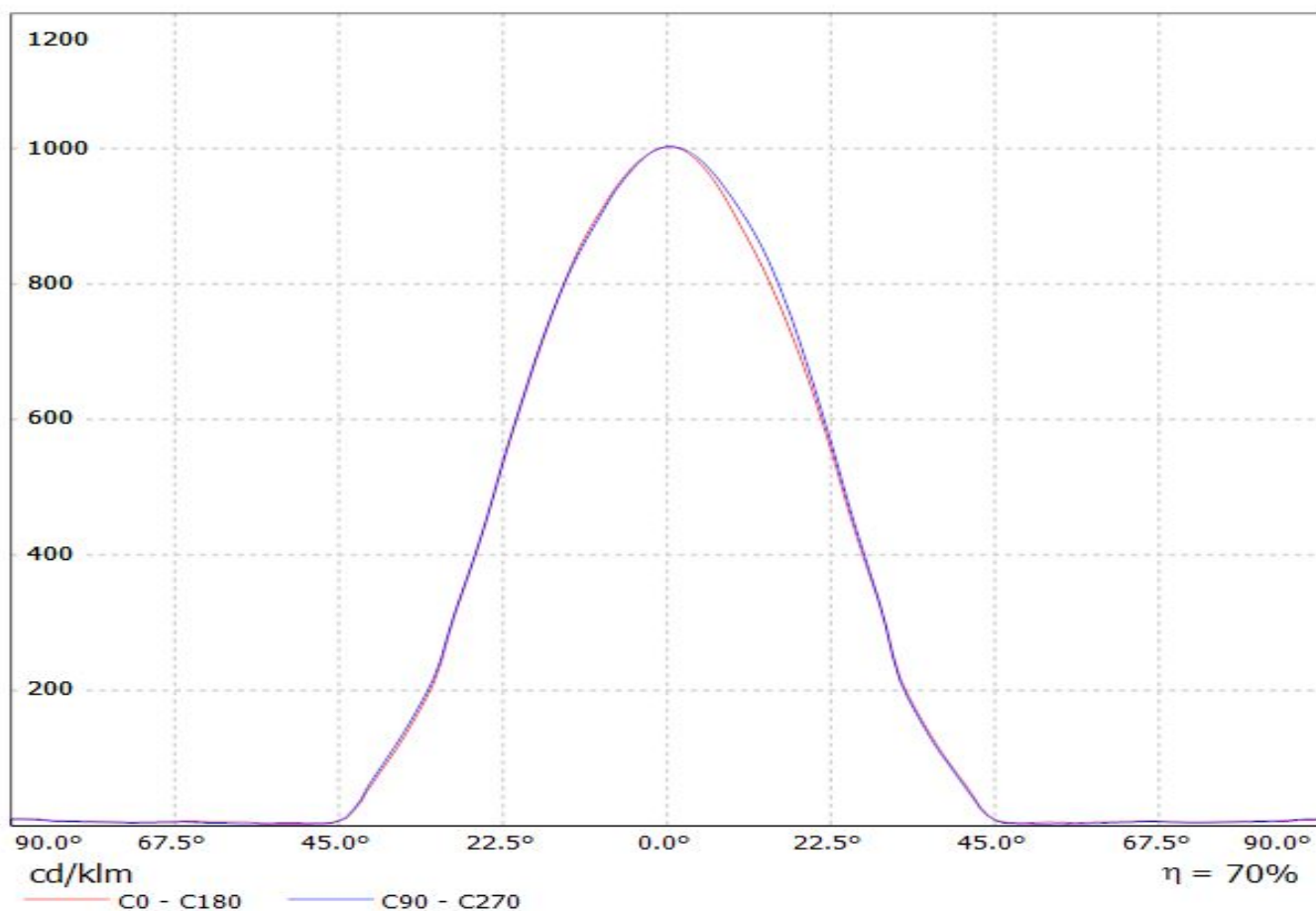
Luminaire: Ledil FC14975_FLORENTINA-2X2-W_(XP-L)

Lamps: 1 x CREE_XP-L_2x2MX_(XPLAWT-0-1B0-V40-00-0001)_515.493lm@250mA_P=2.8W_I=0.25A

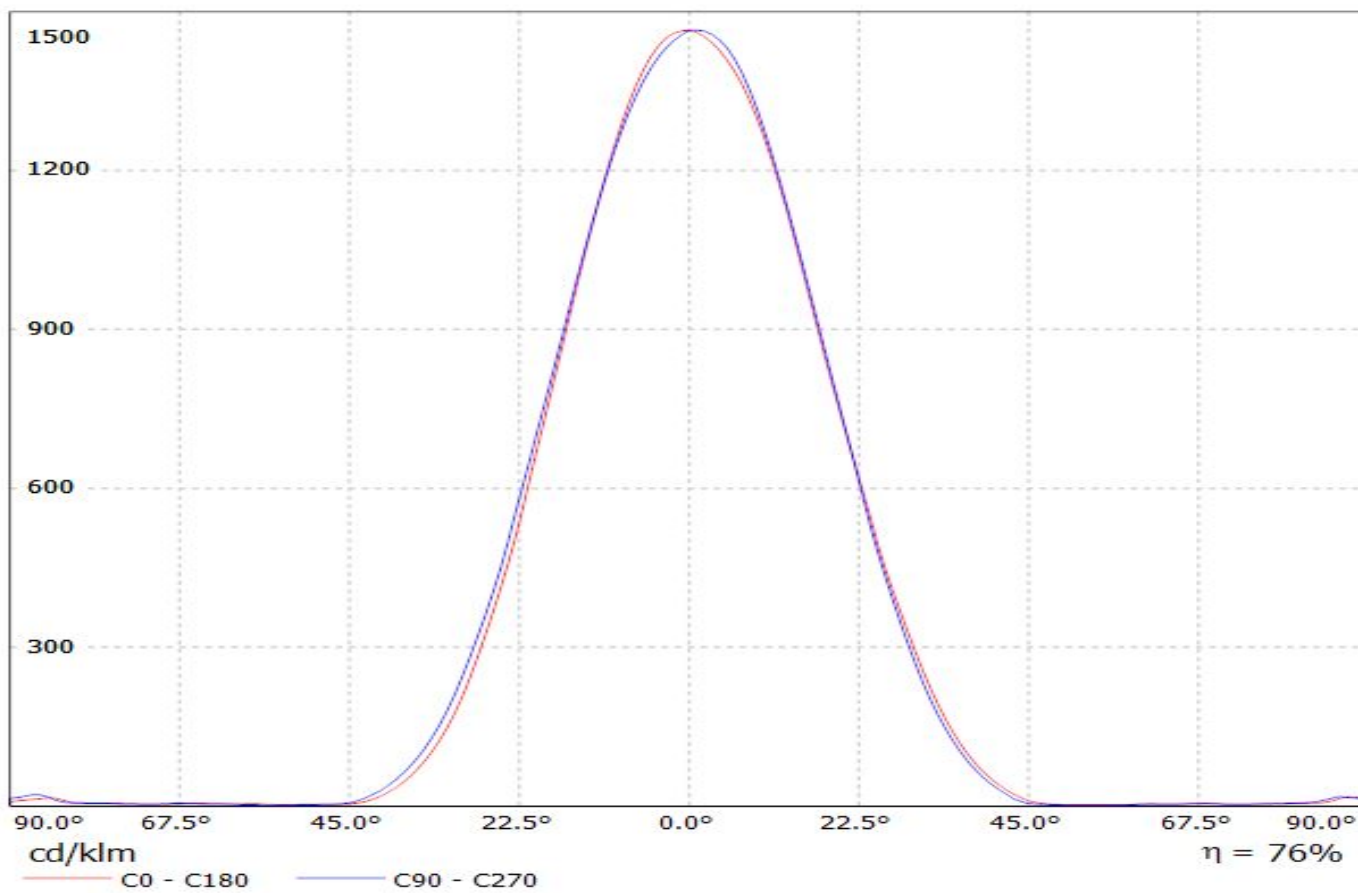


Luminaire: LEDiL Oy FC14975_FLORENTINA-2X2-W_(XHP35-HD)

Lamps: 1 x XHP35-HD_(XHP35A-0-2D0-D40-D0-B-01)_1705.7lm@250mA_P=11.219W_I=0.250A

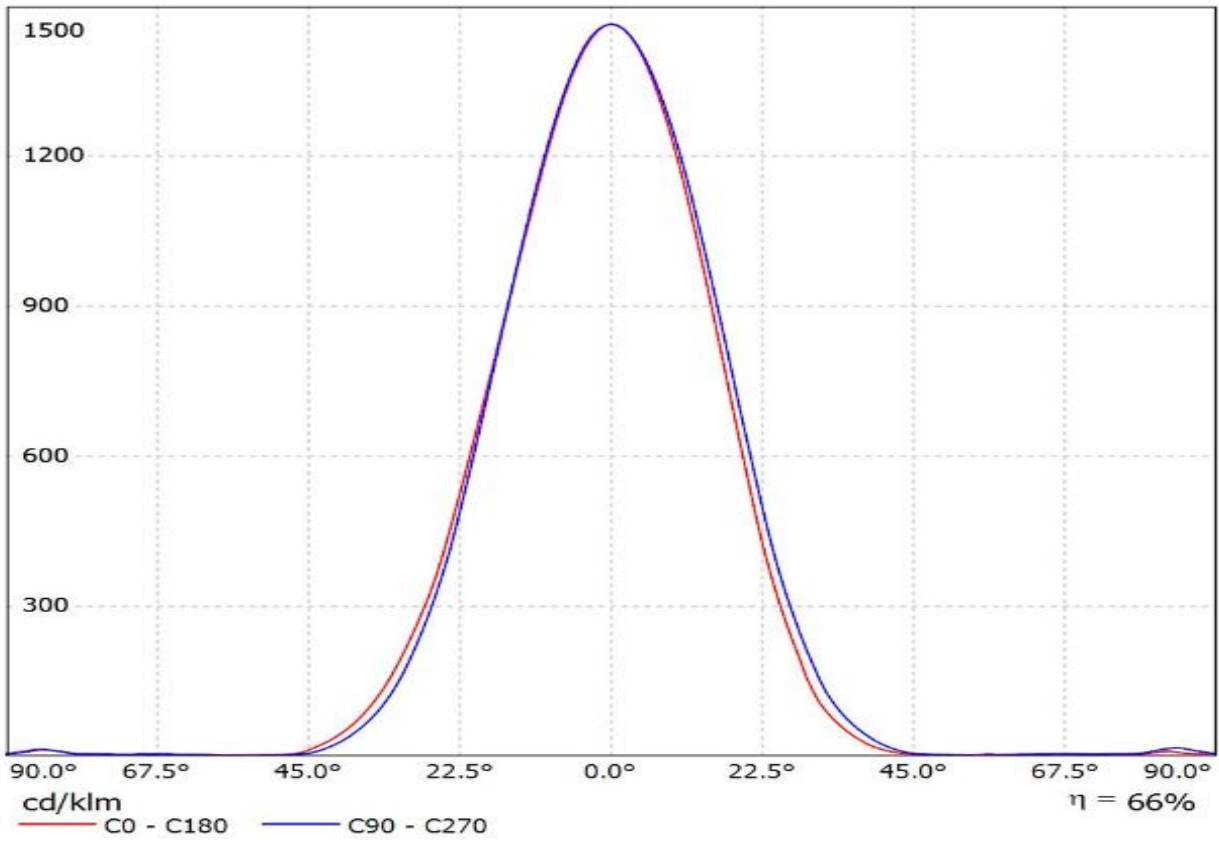


Luminaire: LEDiL Oy FC14975_FLORENTINA-2X2-W_(Luxeon_TX)
Lamps: 1 x Luxeon_TX_(L1T2-3080000000000)_344.318lm@250mA_P=2.85411W_I=0.250A

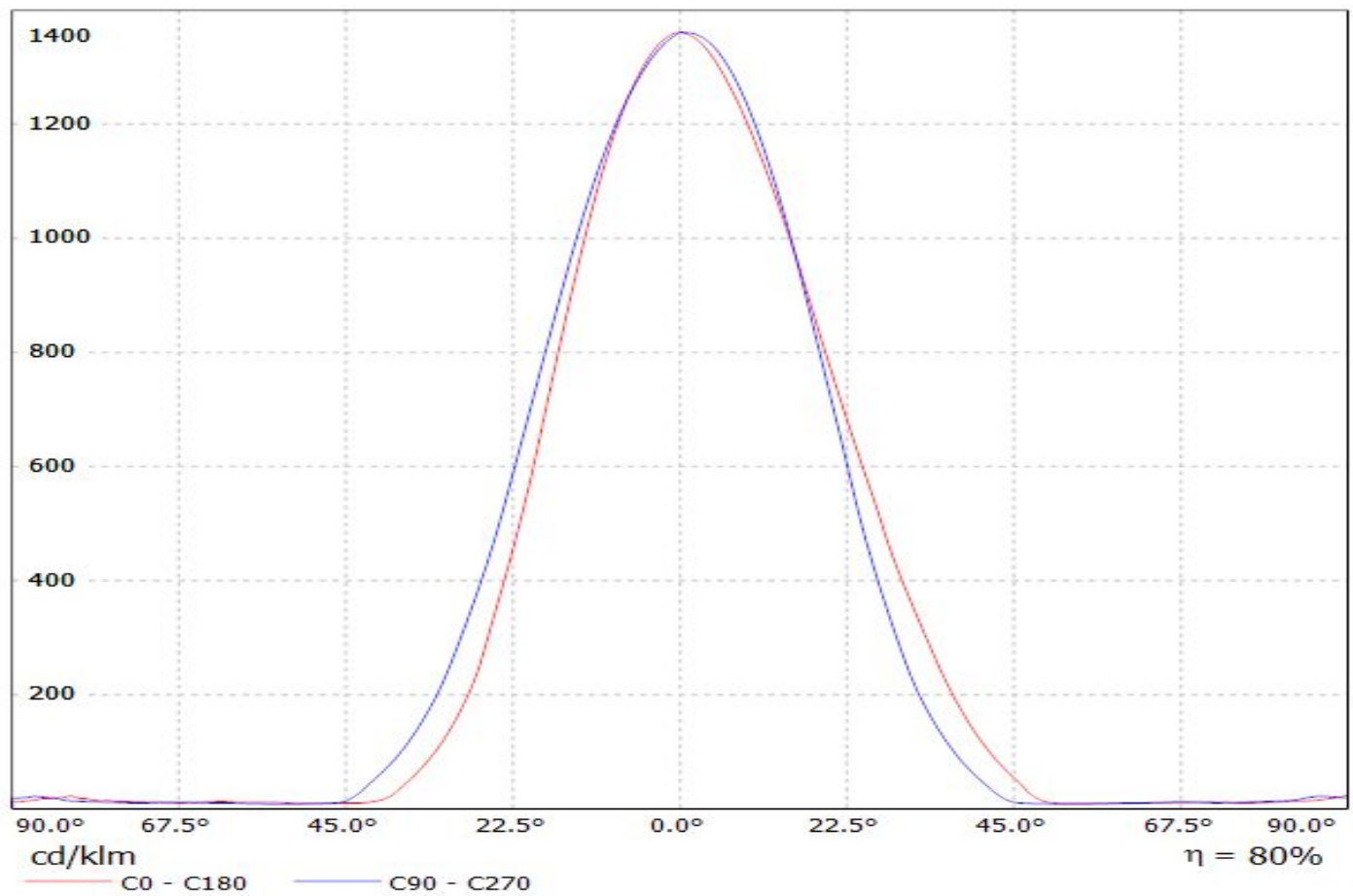


Luminaire: Ledil FC14975_FLORENTINA-2X2-W_(Luxeon_MZ)

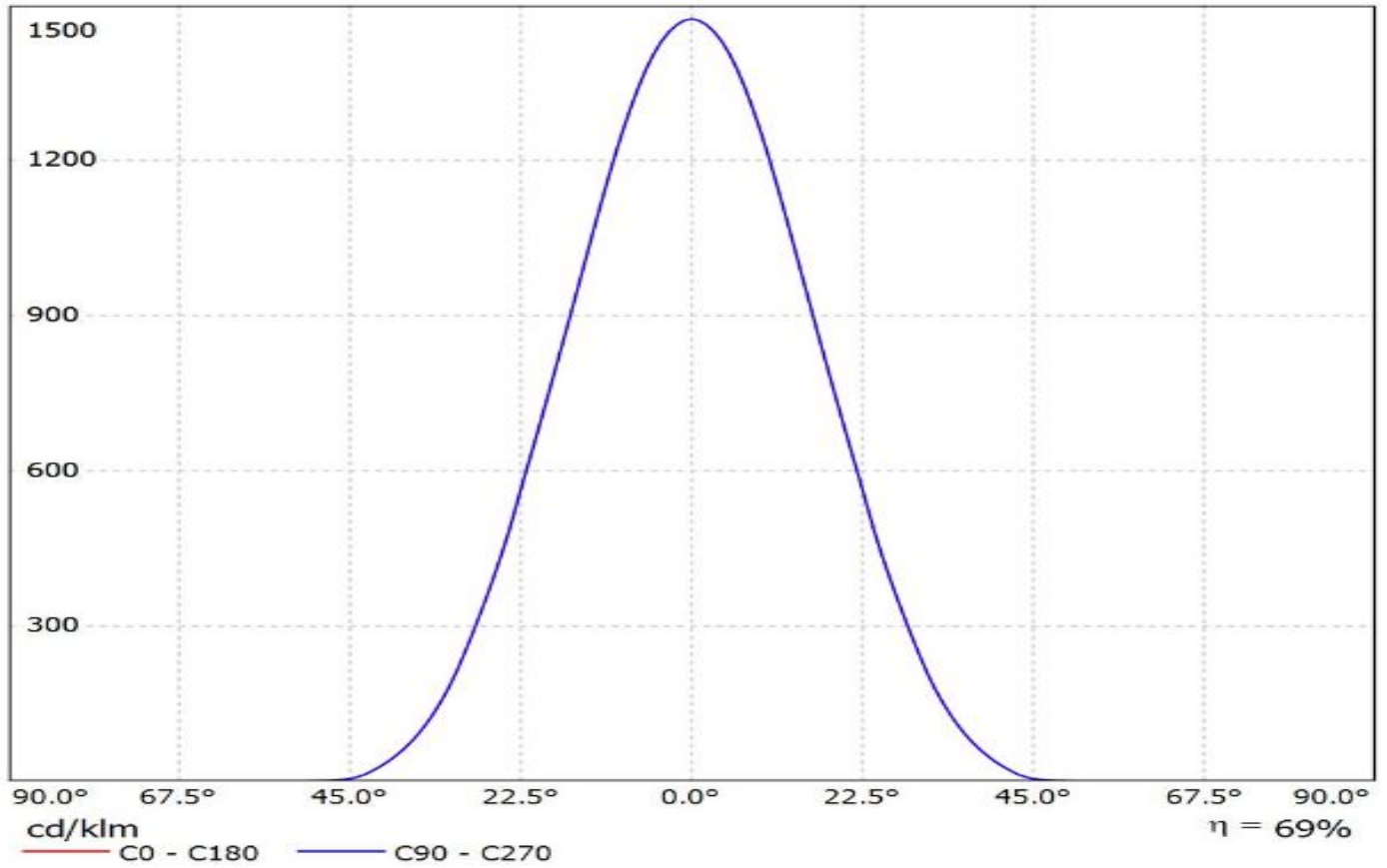
Lamps: 1 x Luxeon_MZ_2x2_(LM29-SW30)_1110.46lm@250mA_P=11.0448W_I=0.25A



Luminaire: LEDiL Oy FC14975_FLORENTINA-2X2-W_(NVSxx19c)
Lamps: 1 x NVSxx19c_412.136lm@250mA_P=2.81612W_I=0.250A



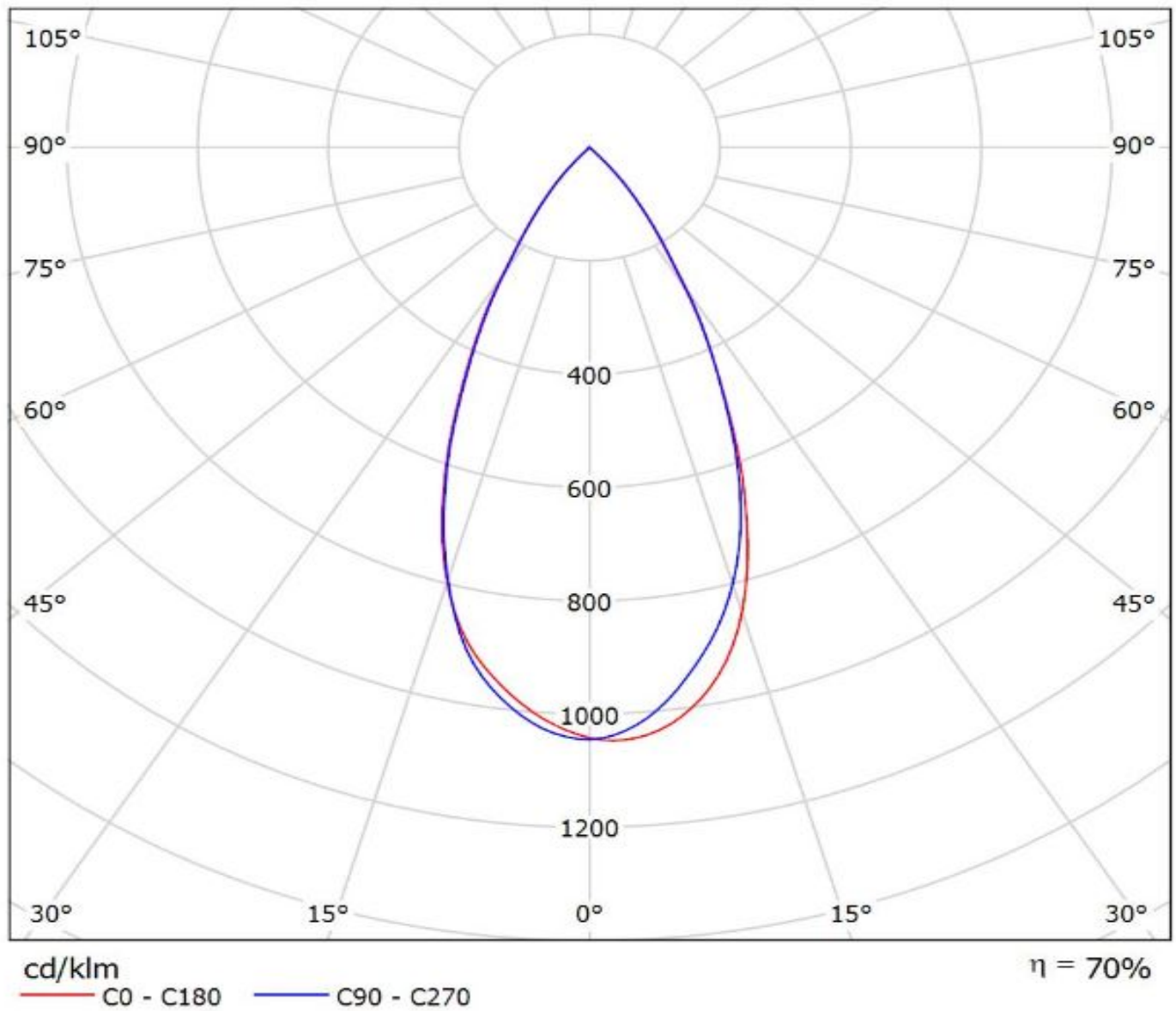
Luminaire: Ledil FC14975_FLORENTINA-2X2-W_(SQ_Gen3)(1)(1) FC14975_FLORENTINA-2X2-W_(SQ_Gen3)(1)(1)
Lamps: 4 x Oslon_square_GEN3_(GW_CSSRM2.PM-MUNQ-A737-1)
_453.421lm@250mA_P=2.7755W_I=0.25A



Ledil FC14975_FLORENTINA-2X2-W_(XP-L) / LDC (Polar)

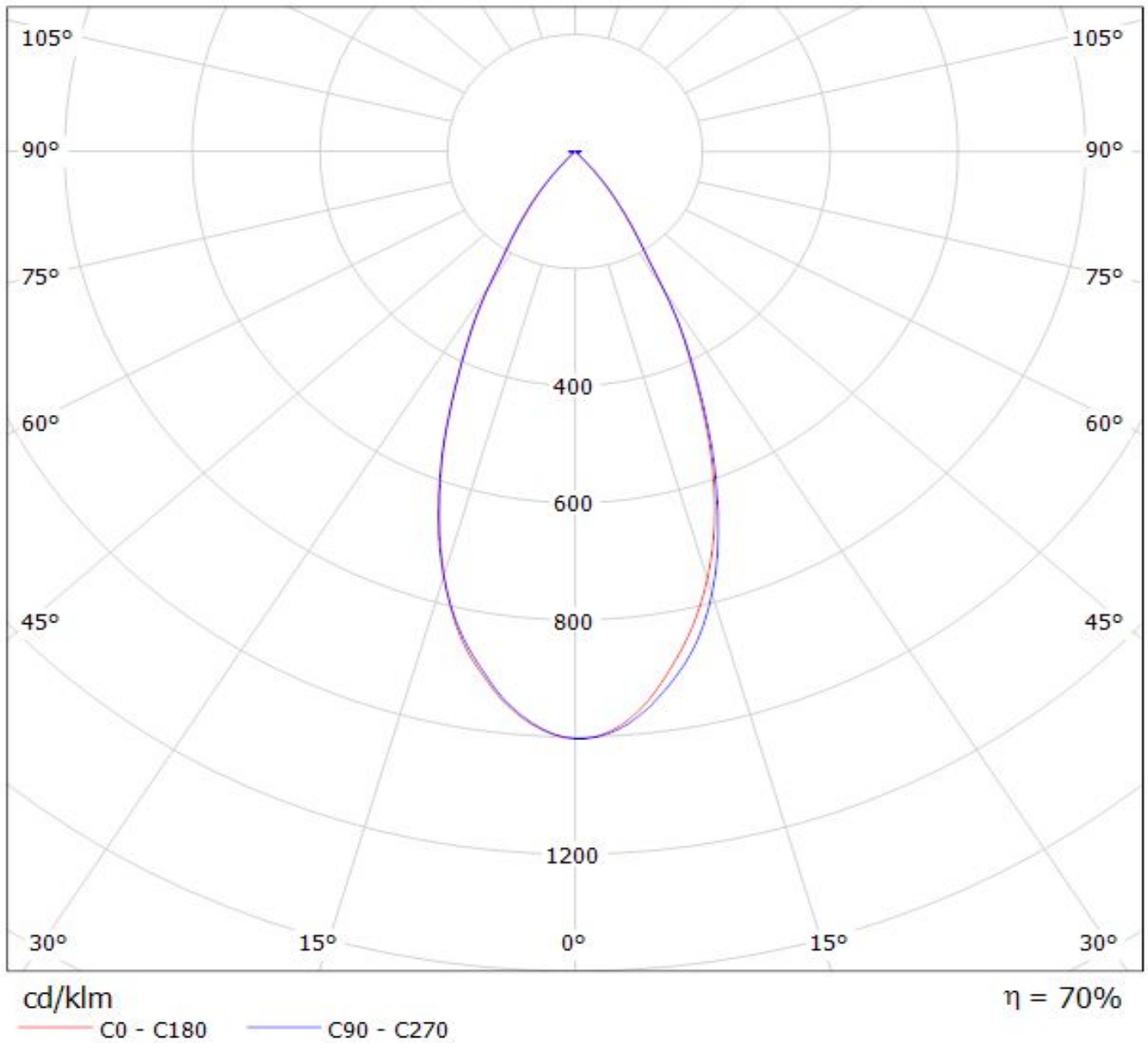
Luminaire: Ledil FC14975_FLORENTINA-2X2-W_(XP-L)

Lamps: 1 x CREE_XP-L_2x2MX_(XPLAWT-0-1B0-V40-00-0001)_515.493lm@250mA_P=2.8W_I=0.25A



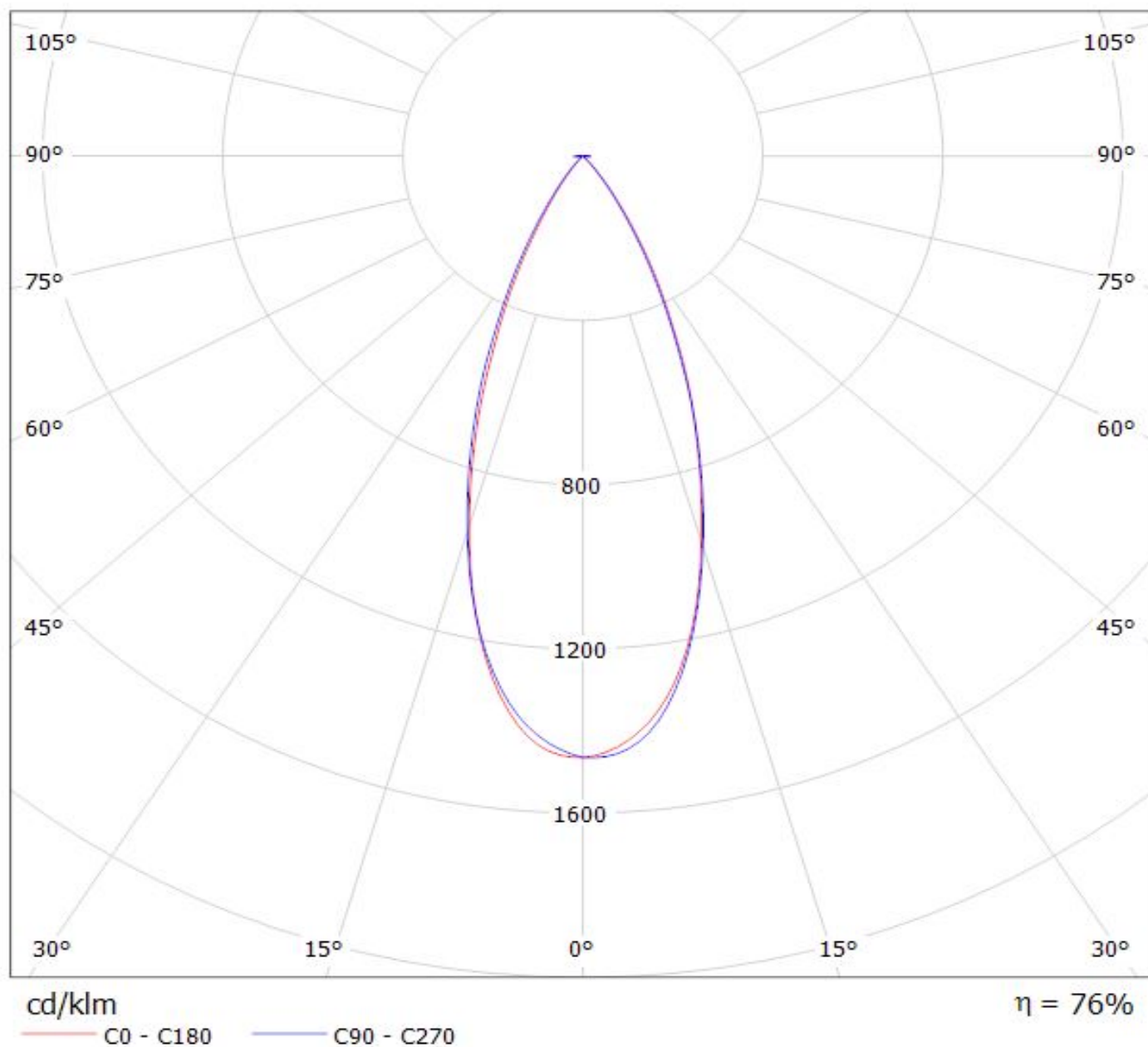
Luminaire: LEDiL Oy FC14975_FLORENTINA-2X2-W_(XHP35-HD)

Lamps: 1 x XHP35-HD_(XHP35A-0-2D0-D40-D0-B-01)_1705.7lm@250mA_P=11.219W_I=0.250A



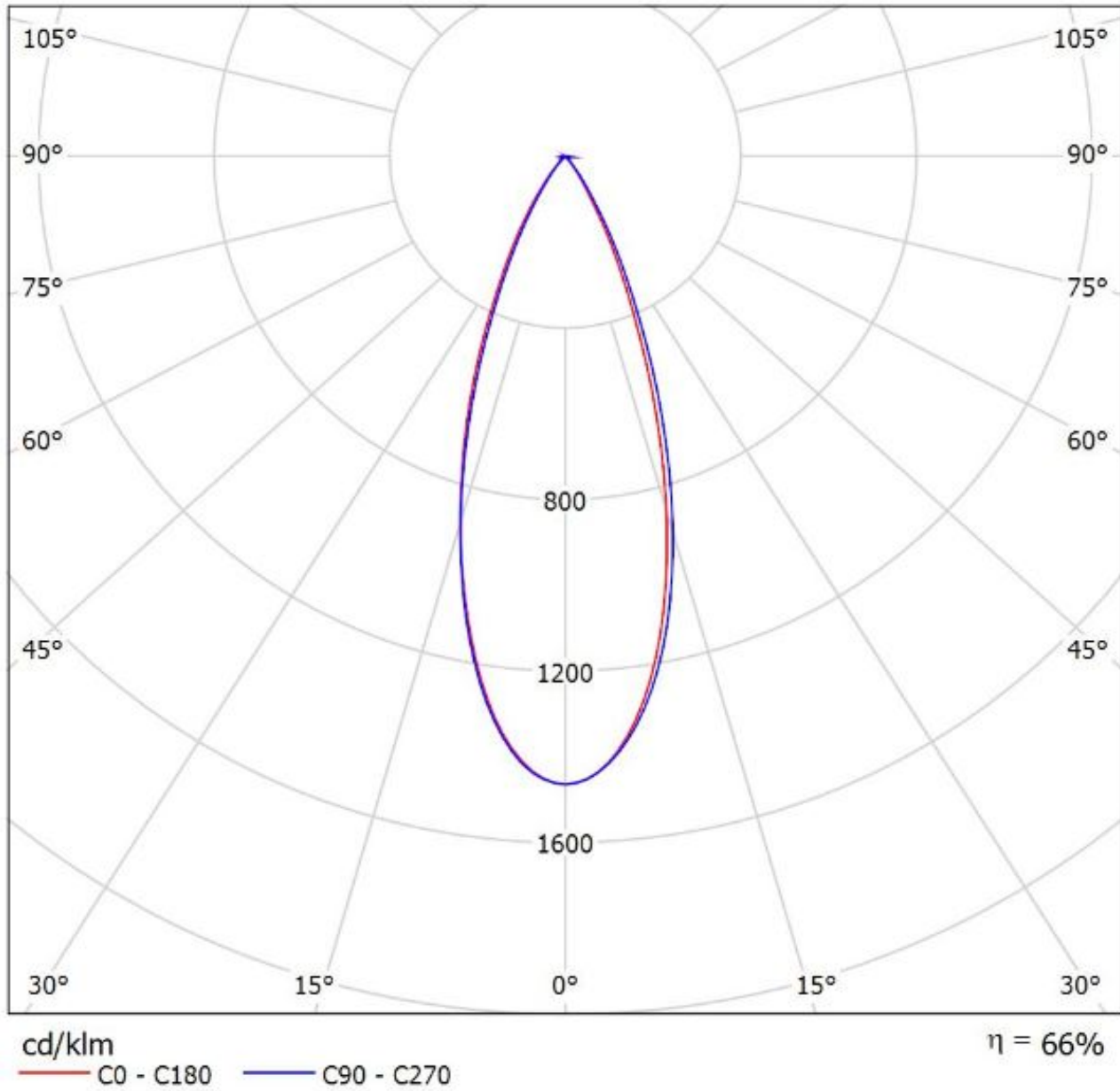
Luminaire: LEDiL Oy FC14975_FLORENTINA-2X2-W_(Luxeon_TX)

Lamps: 1 x Luxeon_TX_(L1T2-3080000000000)_344.318lm@250mA_P=2.85411W_I=0.250A

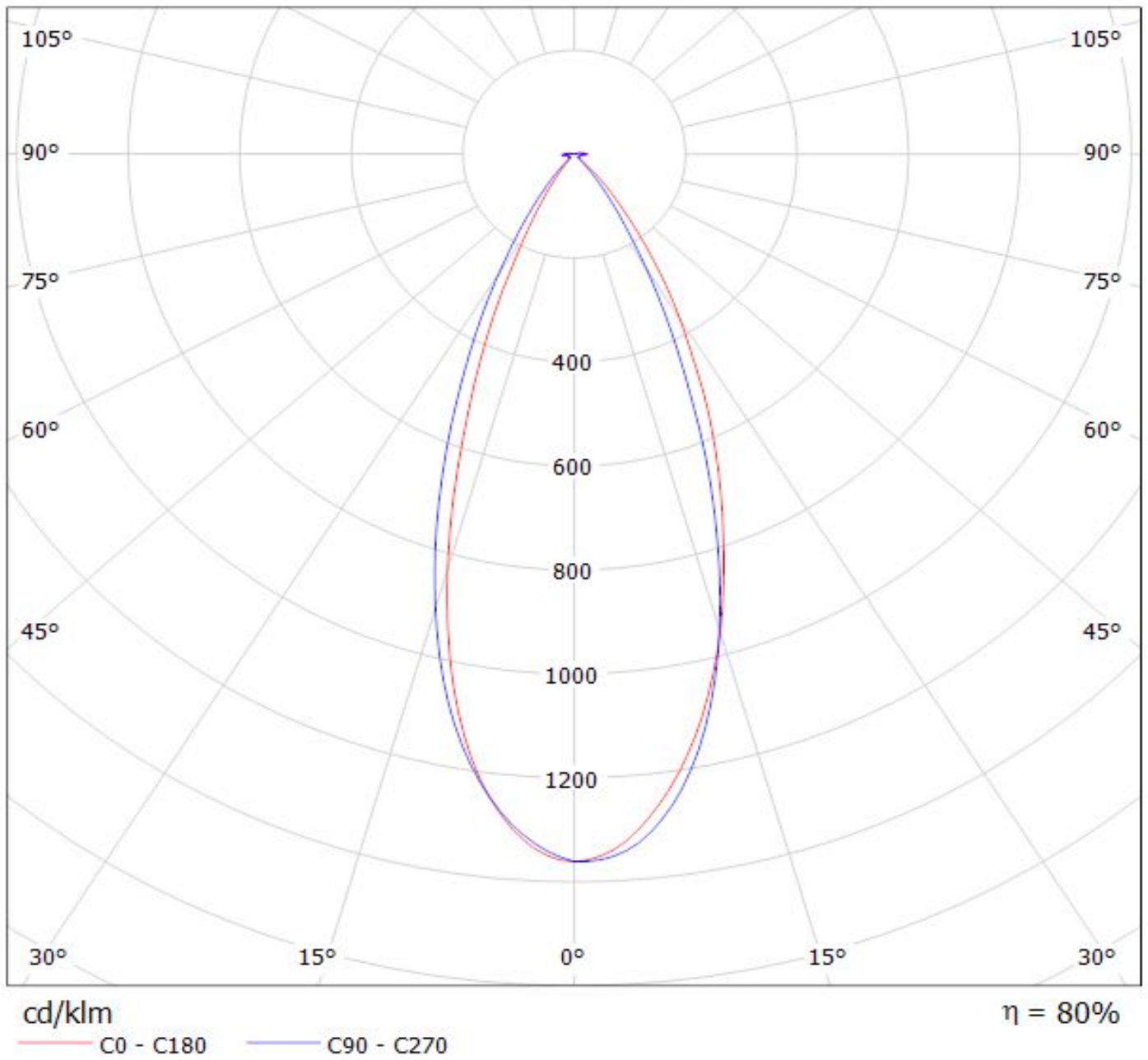


Luminaire: Ledil FC14975_FLORENTINA-2X2-W_(Luxeon_MZ)

Lamps: 1 x Luxeon_MZ_2x2_(LM29-SW30)_1110.46lm@250mA_P=11.0448W_I=0.25A

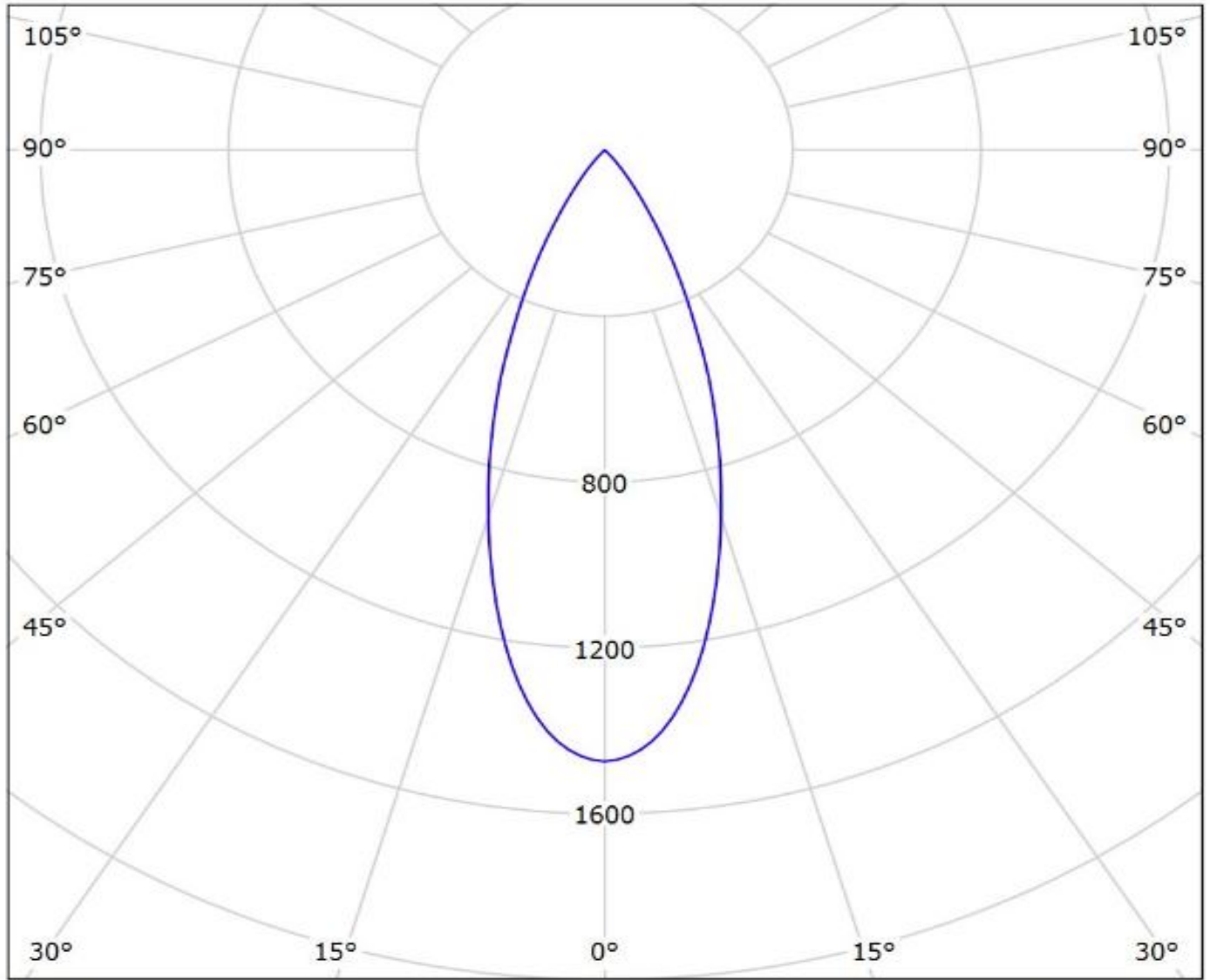


Luminaire: LEDiL Oy FC14975_FLORENTINA-2X2-W_(NVSxx19c)
Lamps: 1 x NVSxx19c_412.136lm@250mA_P=2.81612W_I=0.250A



Luminaire: Ledil FC14975_FLORENTINA-2X2-W_(SQ_Gen3)(1)(1) FC14975_FLORENTINA-2X2-W_(SQ_Gen3)(1)(1)

Lamps: 4 x Oslon_square_GEN3_(GW_CSSRM2.PM-MUNQ-A737-1)
_453.421lm@250mA_P=2.7755W_I=0.25A



cd/klm

— C0 - C180 — C90 - C270

$\eta = 69\%$

NOTE: The typical divergence will be changed by different color, chip size and chip position tolerance. The typical total divergence is the full angle measured where the luminous intensity is half of the peak value.